

# MLR-160 Motorcycle Lifter-Stand

(A346)

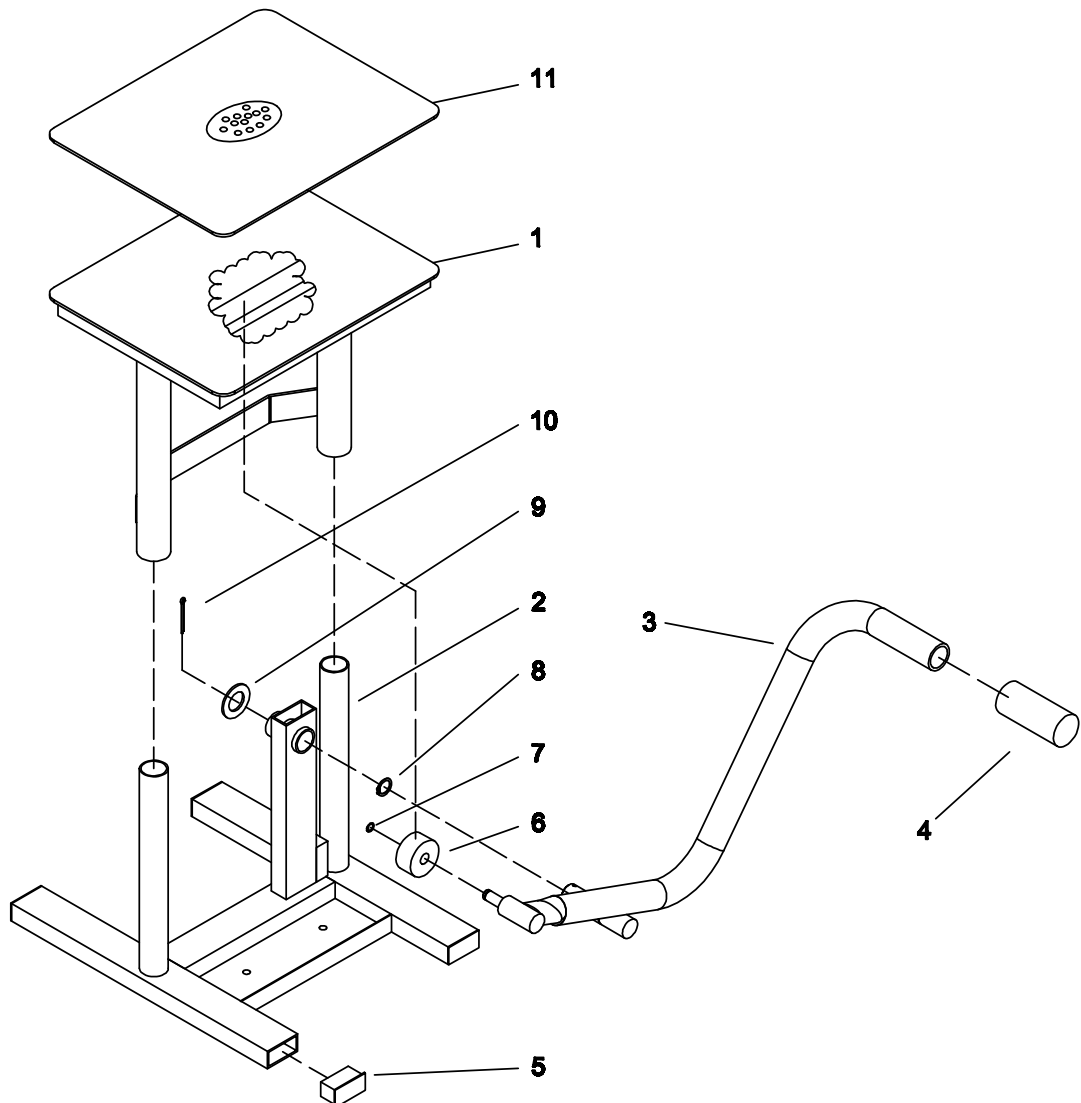
Great for use in the garage, shop or at the track.

Portable dirt-bike service stand can be used for maintenance or for storage whenever you need.

Platform Dimensions: 295 x 240mm, Lowest Height: 320mm, Raised Height: 395mm

Working Load Limit (W.L.L.) of this product is 160kg.

Non-skid rubber pad keeps bike from slipping during maintenance or storage.



PART	DESCRIPTION	QTY
1	Mesa	1
2	Base	1
3	Handle	1
4	Handle sleeve	1
5	Plastic	4
6	Roller	1
7	Small spring	1
8	Big spring	1
9	Washer	1
10	Pin	1
11	Leather	1