

1 TONNE ENGINE CRANE - BUYER'S GUIDE

DON'T GET CAUGHT SHORT

ALL CRANES ARE NOT EQUAL

CHEAPER MODELS



- Light Weight 72.5kg
- Less Stability - Legs are 1430mm
- Max Throat 960mm
- Less Lifting Height 1870mm
- Smaller Frame 50x70mm x 2.8mm
- x1** Slower - Single Action Pump

HAFCO

A350

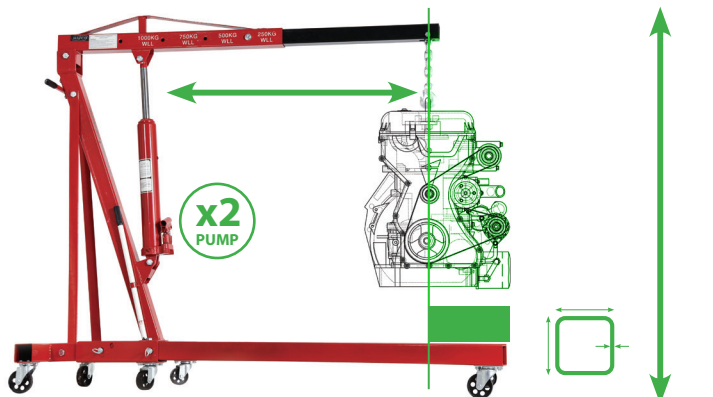
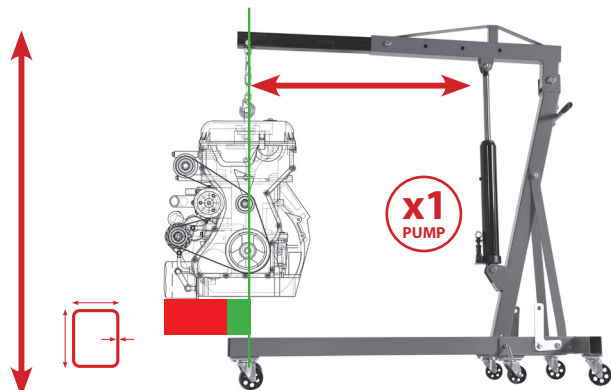


HC-1T - Hydraulic Engine Crane

- Heavy Duty 90kg
- More Stability - Legs are 1830mm
- Max Throat 1050mm
- More Lifting Height - 2300mm
- Bigger Frame 70x70mm x 3.8mm
- x2** Faster - Double Action Pump



← Bigger Lift, Reach, Frame & Faster Pump →



1 TONNE ENGINE CRANE - BUYER'S GUIDE

DON'T GET CAUGHT SHORT

ALL CRANES ARE NOT EQUAL

Shown lifting a 320kg Engine - 500kg Jib Setting

DON'T GET CAUGHT SHORT or find you must modify your crane to be able to achieve the lift height or reach you need, as this can overload the crane and cause serious injuries. Don't go for cheap over functionality.

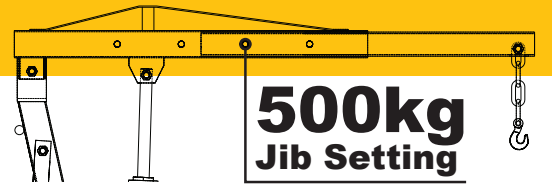
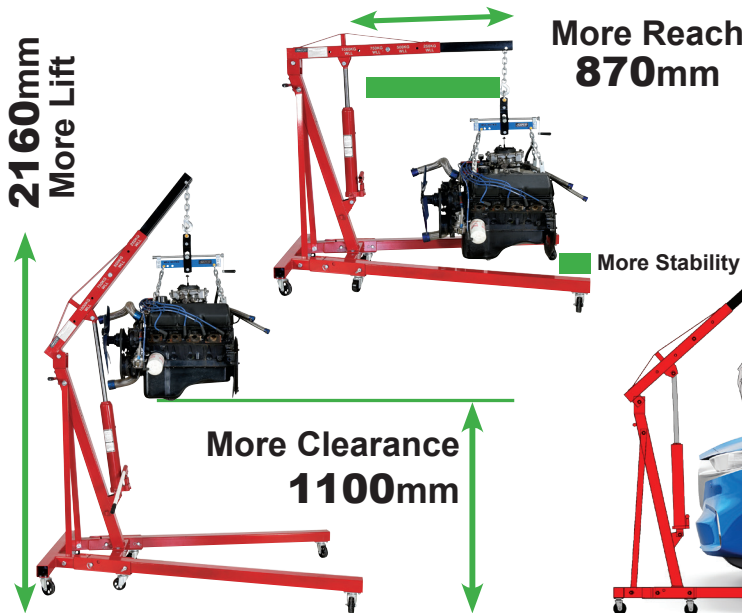
* What height clearance do you need to remove your engine safely with-out too much dismantling ?

* What reach do you need to remove your engine safely with-out too much struggling ?

* Will your choice of crane be stable enough ?

HAFCO HC-1T - Hydraulic Engine Crane

Clear the engine bay without having to dismantle the whole front end

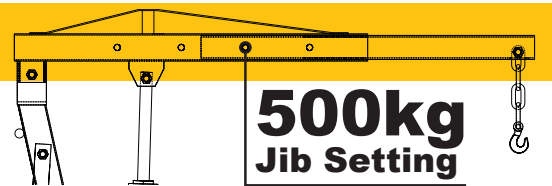
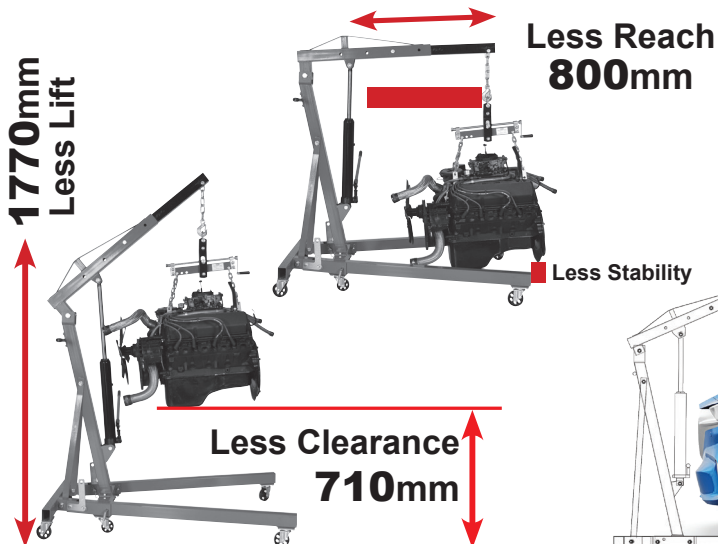


Jib Setting	Max. Lift Height	Max. Reach
250kg	2300mm	1050mm
500kg	2160mm	870mm
750kg	2015mm	690mm
1000kg	1870mm	510mm



CHEAPER MODELS

Other cheaper models leave you short on lift height and reach creating more work dismantling vehicle front end to when removing engines



Jib Setting	Max. Lift Height	Max. Reach
250kg	1870mm	960mm
500kg	1770mm	800mm
750kg	1670mm	640mm
1000kg	1570mm	480mm



1 TONNE ENGINE CRANE - BUYER'S GUIDE

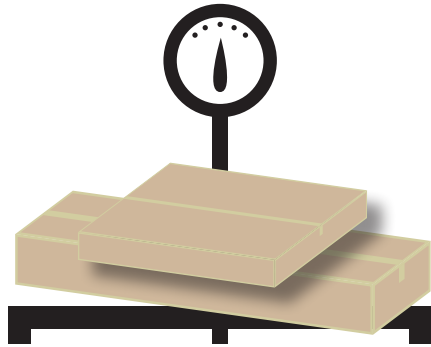
DON'T GET CAUGHT SHORT

ALL CRANES ARE NOT EQUAL

CHEAPER MODELS



Light Weight
72.5kg

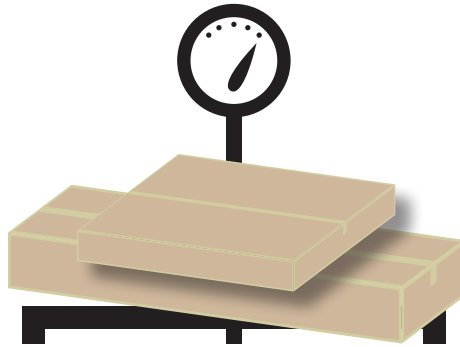


HAFCO

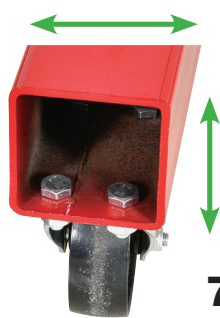
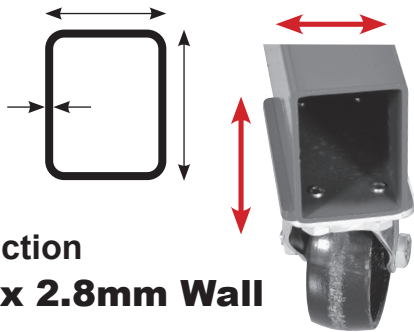
A350



Heavy Weight
90.5kg



Small Tube Section
50x70mm x 2.8mm Wall



Large Tube Section
70x70mm x 3.8mm Wall



Slower Pump Action
Single



Faster Pump Action
Double



Smaller Pump Diameter
Ø70mm



Large Pump Diameter
Ø80mm



1 TONNE ENGINE CRANE - BUYER'S GUIDE

DON'T GET CAUGHT SHORT

ALL CRANES ARE NOT EQUAL

CHEAPER MODELS

HAFCO

A350



Less Lifting Height
1870mm



More Lifting Height
2300mm



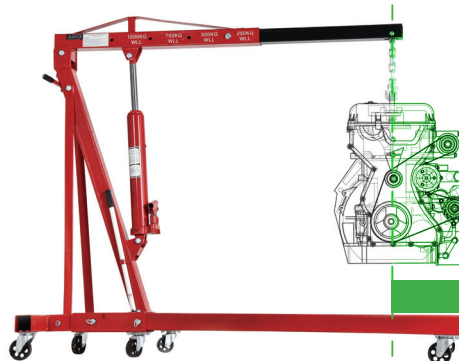
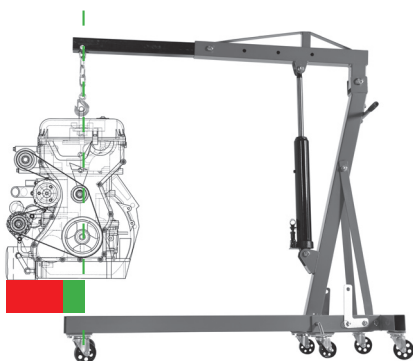
Less Reach
960mm



More Reach
1050mm



Less Stability
50mm

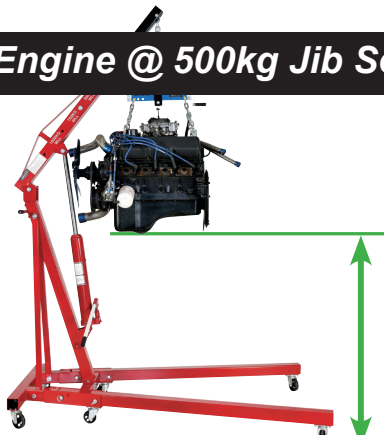
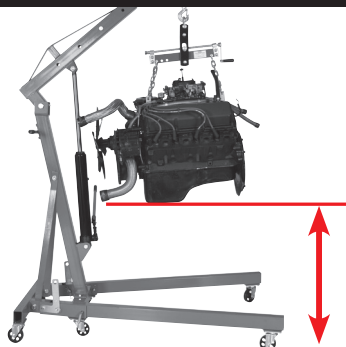


More Stability
290mm

Clearance based on a V8 Engine @ 500kg Jib Setting



Less Clearance
710mm



More Clearance
1100mm