

1 TONNE ENGINE CRANE - BUYER'S GUIDE

DON'T GET CAUGHT SHORT

ALL CRANES ARE NOT EQUAL

Shown lifting a 320kg Engine - 625kg Jib Setting

DON'T GET CAUGHT SHORT or find you must modify your crane to be able to achieve the lift height or reach you need, as this can overload the crane and cause serious injuries. Don't go for cheap over functionality.

- * What height clearance do you need to remove your engine safely with-out too much dismantling ?
- * What reach do you need to remove your engine safely with-out too much struggling ?
- * Will your choice of crane be stable enough ?

HAFCO HC-1T - Hydraulic Engine Crane

Clear the engine bay without having to dismantle the whole front end

2260mm More Lift

More Reach 870mm

More Stability

More Clearance 1200mm

625kg Jib Setting

Jib Setting	Max. Lift Height	Max. Reach
310kg	2380mm	1050mm
625kg	2260mm	870mm
930kg	2130mm	690mm
1250kg	2000mm	510mm

1770mm Less Lift

Less Reach 800mm

Less Stability

Less Clearance 710mm

500kg Jib Setting

Jib Setting	Max. Lift Height	Max. Reach
250kg	1870mm	960mm
500kg	1770mm	800mm
750kg	1670mm	640mm
1000kg	1570mm	480mm

CHEAPER MODELS

Other cheaper models leave you short on lift height and reach creating more work dismantling vehicle front end to when removing engines

2380mm More Lift

More Reach 1050mm

More Stability

More Clearance 1350mm

1.25T Jib Setting

Jib Setting	Max. Lift Height	Max. Reach
310kg	2380mm	1050mm
625kg	2260mm	870mm
930kg	2130mm	690mm
1250kg	2000mm	510mm

1870mm Less Lift

Less Reach 960mm

Less Stability

Less Clearance 640mm

1T Jib Setting

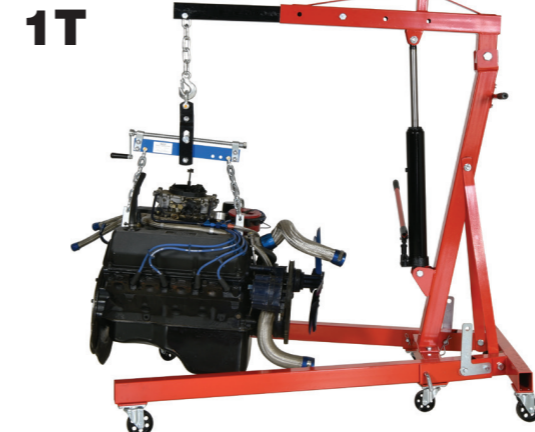
Jib Setting	Max. Lift Height	Max. Reach
250kg	1870mm	960mm
500kg	1770mm	800mm
750kg	1670mm	640mm
1000kg	1570mm	480mm

1 TONNE ENGINE CRANE - BUYER'S GUIDE

DON'T GET CAUGHT SHORT

ALL CRANES ARE NOT EQUAL

CHEAPER MODELS 1T ENGINE CRANE



- ❌ **1 Tonne Max Capacity**
- ❌ **Light Weight 72.5kg**
- ❌ **Less Stability - Legs are 1430mm**
- ❌ **Max Throat 960mm**
- ❌ **Less Lifting Height 1870mm**
- ❌ **Smaller Frame 50x70mm x 2.8mm**
- ❌ **Slower - Single Action Pump**

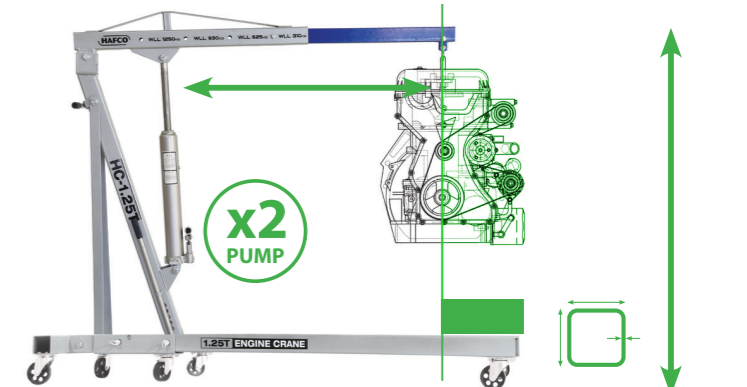
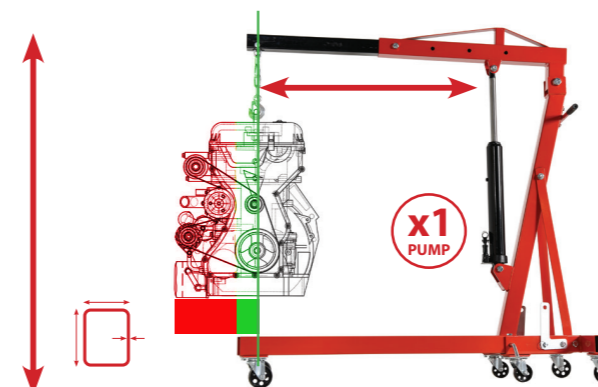
HAFCO 1.25T ENGINE CRANE

A350



- ✅ **1.25 Tonne Max Capacity**
- ✅ **Heavy Duty 90kg**
- ✅ **More Stability - Legs are 1830mm**
- ✅ **Max Throat 1050mm**
- ✅ **More Lifting Height - 2380mm**
- ✅ **Bigger Frame 70x70mm x 3.8mm**
- ✅ **Faster - Double Action Pump**

❌ **Bigger Lift, Reach, Frame & Faster Pump** →



1 TONNE ENGINE CRANE - BUYER'S GUIDE

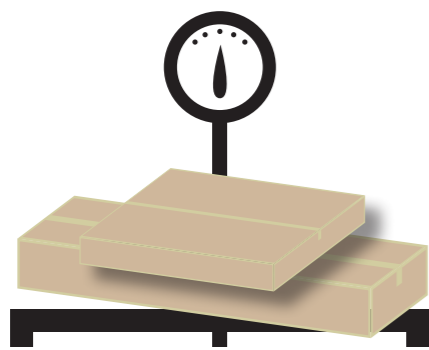
DON'T GET CAUGHT SHORT

ALL CRANES ARE NOT EQUAL

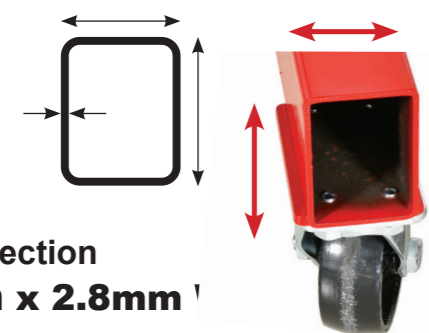
CHEAPER MODELS



Light Weight
72.5kg



Small Tube Section
50x70mm x 2.8mm



Small Lifting Capacity
1 Tonne



Smaller Pump Diameter
Ø70mm
Slower Pump Action
Single

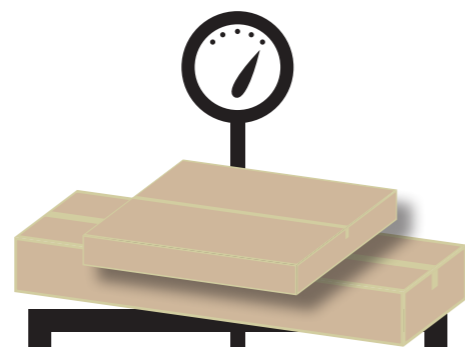


HAFCO

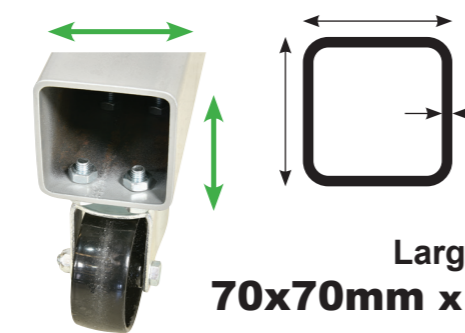
A350



Heavy Weight
90kg



Large Tube Section
70x70mm x 3.8mm Wall



Large Lifting Capacity
1.25 Tonne



Large Pump Diameter
Ø75mm
Faster Pump Action
Double



1 TONNE ENGINE CRANE - BUYER'S GUIDE

DON'T GET CAUGHT SHORT

ALL CRANES ARE NOT EQUAL

CHEAPER MODELS



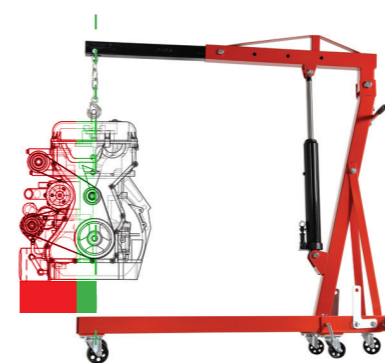
Less Lifting Height
1870mm



Less Reach
960mm



Less Stability
50mm



Less Clearance
710mm



HAFCO

A350



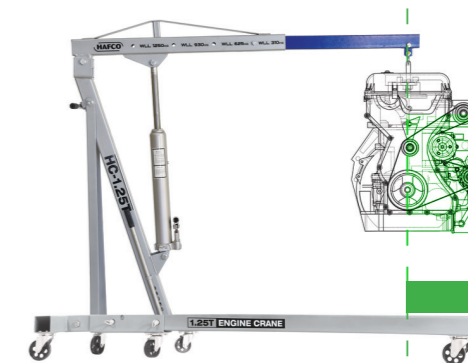
More Lifting Height
2380mm



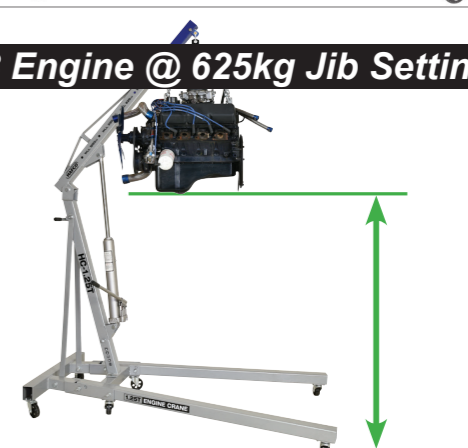
More Reach
1050mm



More Stability
290mm



More Clearance
1200mm



Clearance based on a V8 Engine @ 625kg Jib Setting