

SPARE PARTS SECTION

Hydraulic Panel Beater Kit

Model PBK-10H

Order Code A366

Edition No : PBK-10H-3

Date of Issue : 07/2020

The following section covers the spare parts diagrams and lists that were current at the time this manual was originally printed. Due to continuous improvements of the machine, changes may be made at any time without notification.

HOW TO ORDER SPARE PARTS

1. Have your machines **model number, serial number & date of manufacture** on hand, these can be found on the specification plate mounted on the machine
2. A scanned copy of your parts list/diagram with required spare part/s identified.

NOTE: SOME PARTS MAY ONLY BE AVAILABLE AS AN ASSEMBLY

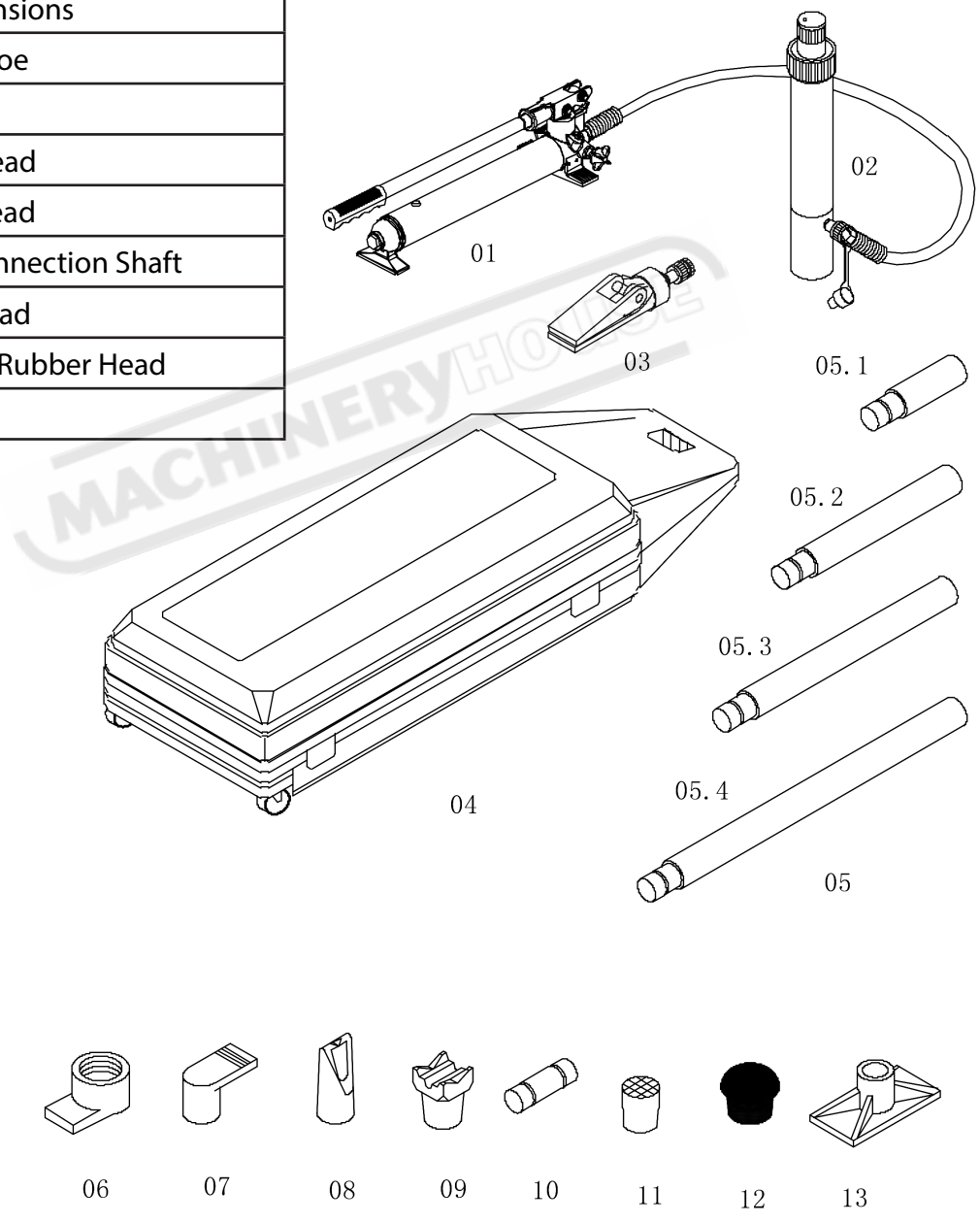
3. Go to www.machineryhouse.com.au/contactus and fill out the inquiry form attaching a copy of scanned parts list.

CONTENTS

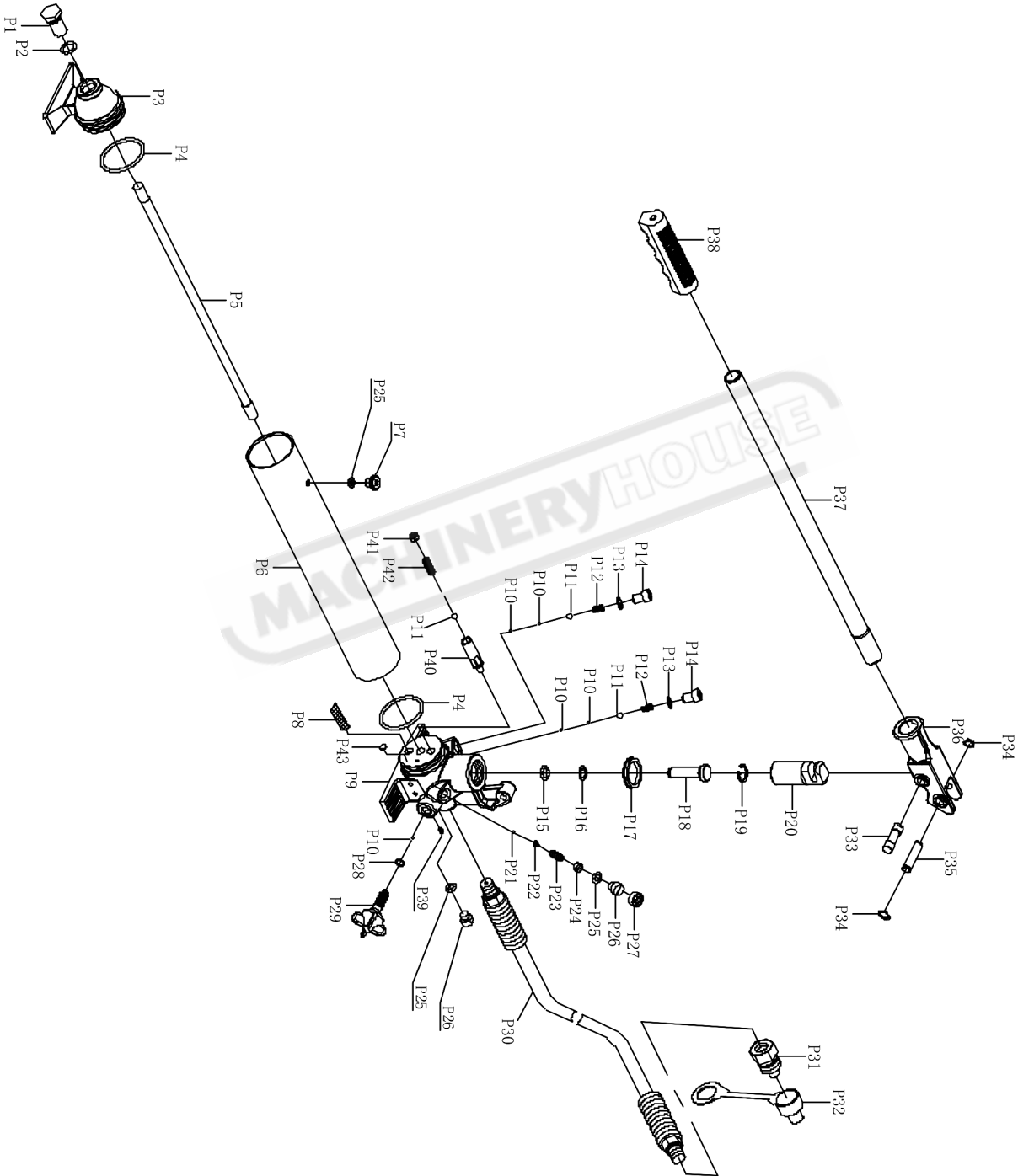
PBR-10H Parts List.....	10
10 Tonne Pump Assembly Diagram.....	11
10 Tonne Pump Assembly List.....	12
10 Tonne Ram Assembly Diagram.....	13
10 Tonne Ram Assembly List.....	14
0.5 Spreader Assembly.....	15

PBR-10H PARTS LIST

NO.	DESCRIPTION
1	Pump and Hose
2	Ram
3	Spreader
4	Blow Mould Case
5	Ram Extensions
6	Cylinder Toe
7	Ram Toe
8	Wedge Head
9	Square Head
10	Active Connection Shaft
11	Round Head
12	Spherical Rubber Head
13	Ram Base



10 TONNE PUMP ASSEMBLY DIAGRAM



NOTE: SUPPLIED AS AN ASSEMBLY. INDIVIDUAL PARTS NOT AVAILABLE

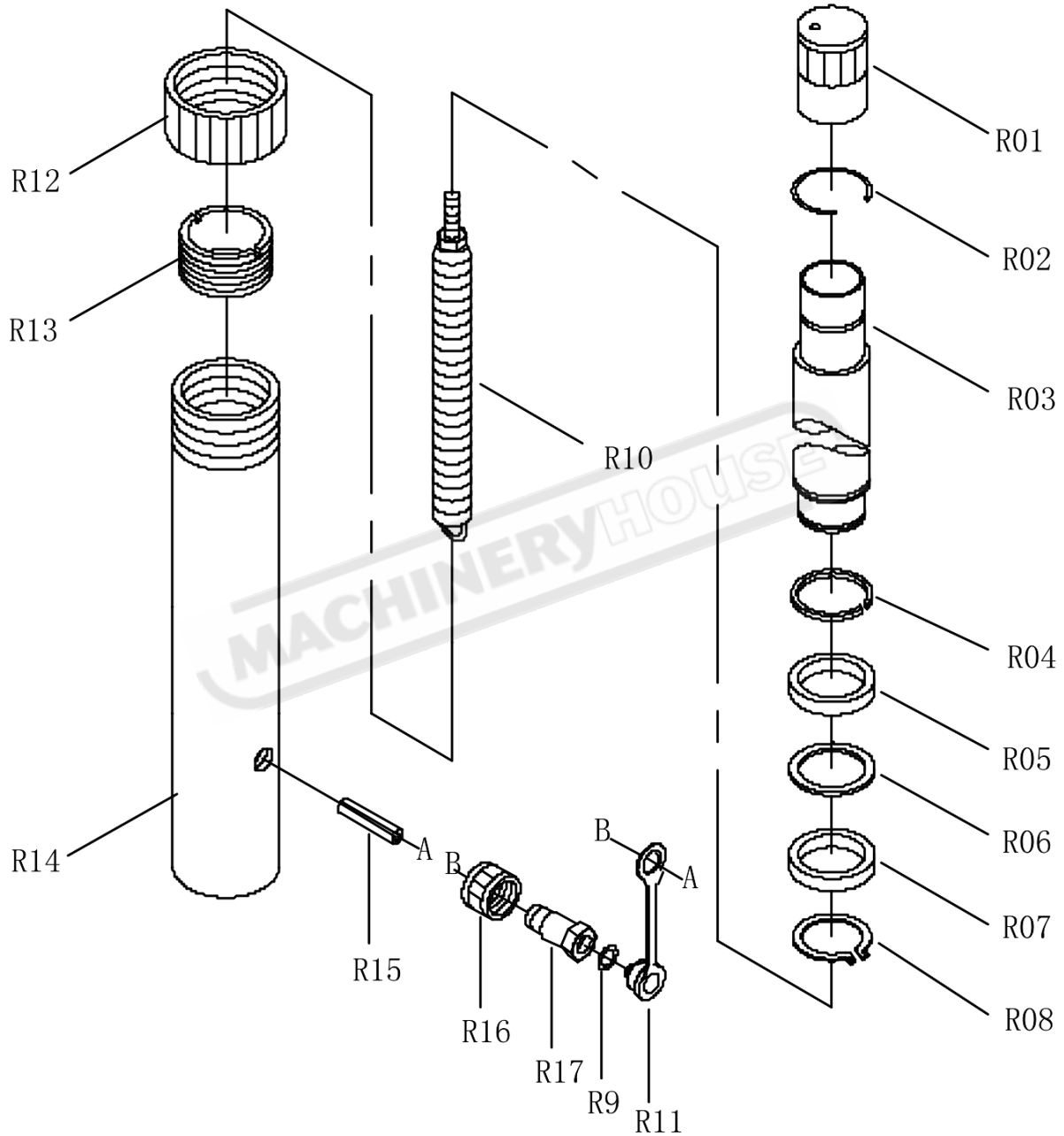
OPERATION MANUAL

10 TONNE PUMP ASSEMBLY LIST

NO.	DESCRIPTION	Qty.	NO.	DESCRIPTION	Qty.
P1	Screw	1	P23	Spring	1
P2	O-ring	1	P24	Screw	1
P3	The back cover	1	P25	O-rings	3
P4	O-ring	2	P26	Screw	2
P5	Tie rod	1	P27	Decorative caps	1
P6	Oil barrel	1	P28	O-rings	1
P7	Quad plug	1	P29	Drain valve assembly	1
P8	Oil filter screen	1	P30	Oil hose	1
P9	Pump body	1	P31	Inch hose assemblies	1
P10	Steel ball	5	P32	Tubing shield	1
P11	Steel ball	3	P33	Pump pin	1
P12	Spring	2	P34	Ring	2
P13	Washer	2	P35	Pin	1
P14	Screw	2	P36	Handle base	1
P15	O-ring	1	P37	Handle	1
P16	Small pump PTFE gasket	1	P38	Handle cover	1
P17	U-ring	1	P39	Screw	1
P18	Small pump	1	P40	Low pressure regulator	1
P19	Ring	1	P41	Screw	1
P20	Large pump	1	P42	Spring	1
P21	Steel ball	1	P43	Magnetic steel	1
P22	Ball seat	1			

NOTE: SUPPLIED AS AN ASSEMBLY. INDIVIDUAL PARTS NOT AVAILABLE

10 TONNE RAM ASSEMBLY DIAGRAM



NOTE: SUPPLIED AS AN ASSEMBLY. INDIVIDUAL PARTS NOT AVAILABLE

OPERATION MANUAL

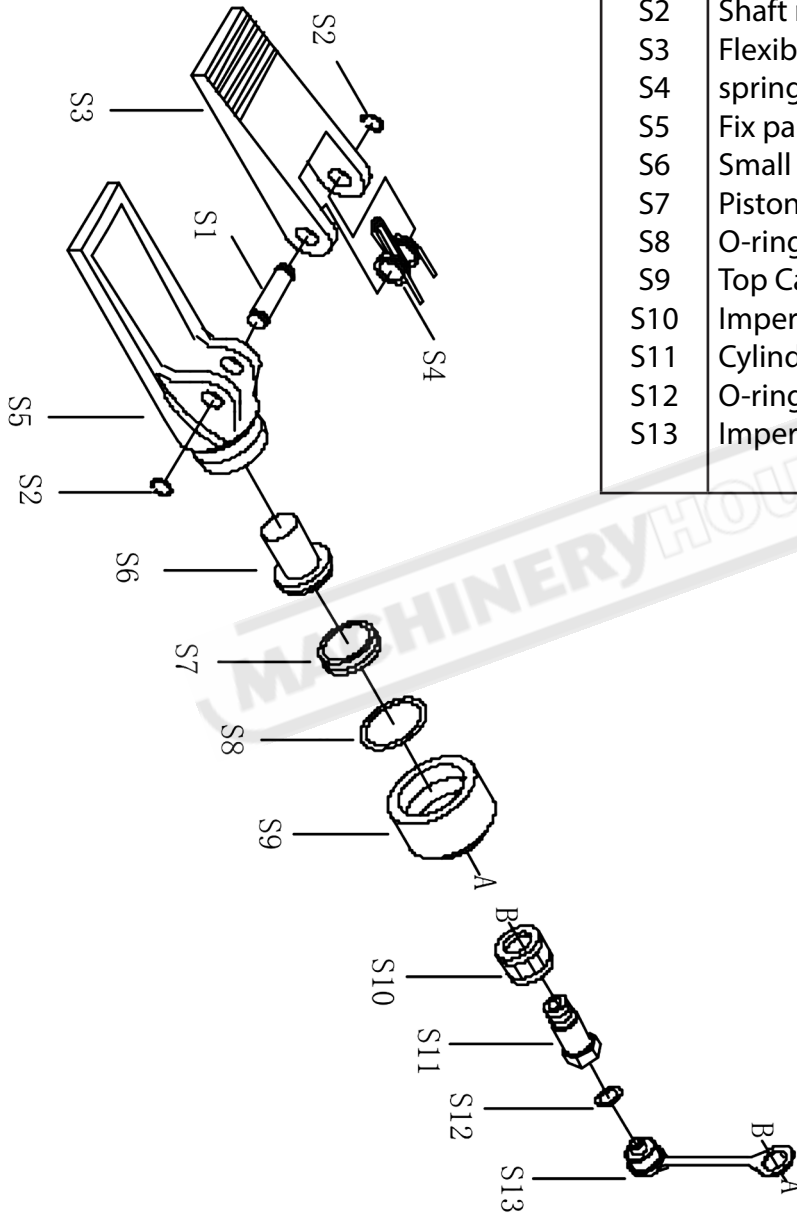
10 TONNE RAM ASSEMBLY LIST

NO.	DESCRIPTION	Qty.	NO.	DESCRIPTION	Qty.
R01	Piston rod protection	1	R10	Tension spring	1
R02	Connecting shaft collars	1	R11	Imperial dust caps	1
R03	Piston rod	1	R12	Cylinder Sleeve	1
R04	Wire spacing ring	1	R13	Limit circle	1
R05	Washer	1	R14	Cylinder components	1
R06	PTFE gasket	1	R15	Elastic straight pins	1
R07	Imports u-ring	1	R16	Imperial connector nut	1
R08	Axial spring collar	1	R17	Cylinder connectors	1
R09	O-ring	1			

NOTE: SUPPLIED AS AN ASSEMBLY. INDIVIDUAL PARTS NOT AVAILABLE

MACHINERYHOUSE

0.5 TONNE SPREADER ASSEMBLY



NO.	DESCRIPTION	Qty.
S1	Pin shaft	1
S2	Shaft retaining ring	2
S3	Flexible part	1
S4	spring	1
S5	Fix part	1
S6	Small piston	1
S7	Piston ring	1
S8	O-ring	1
S9	Top Cap	1
S10	Imperial connector nut	1
S11	Cylinder connectors	1
S12	O-ring	1
S13	Imperial dust cover	1

NOTE: SUPPLIED AS AN ASSEMBLY. INDIVIDUAL PARTS NOT AVAILABLE