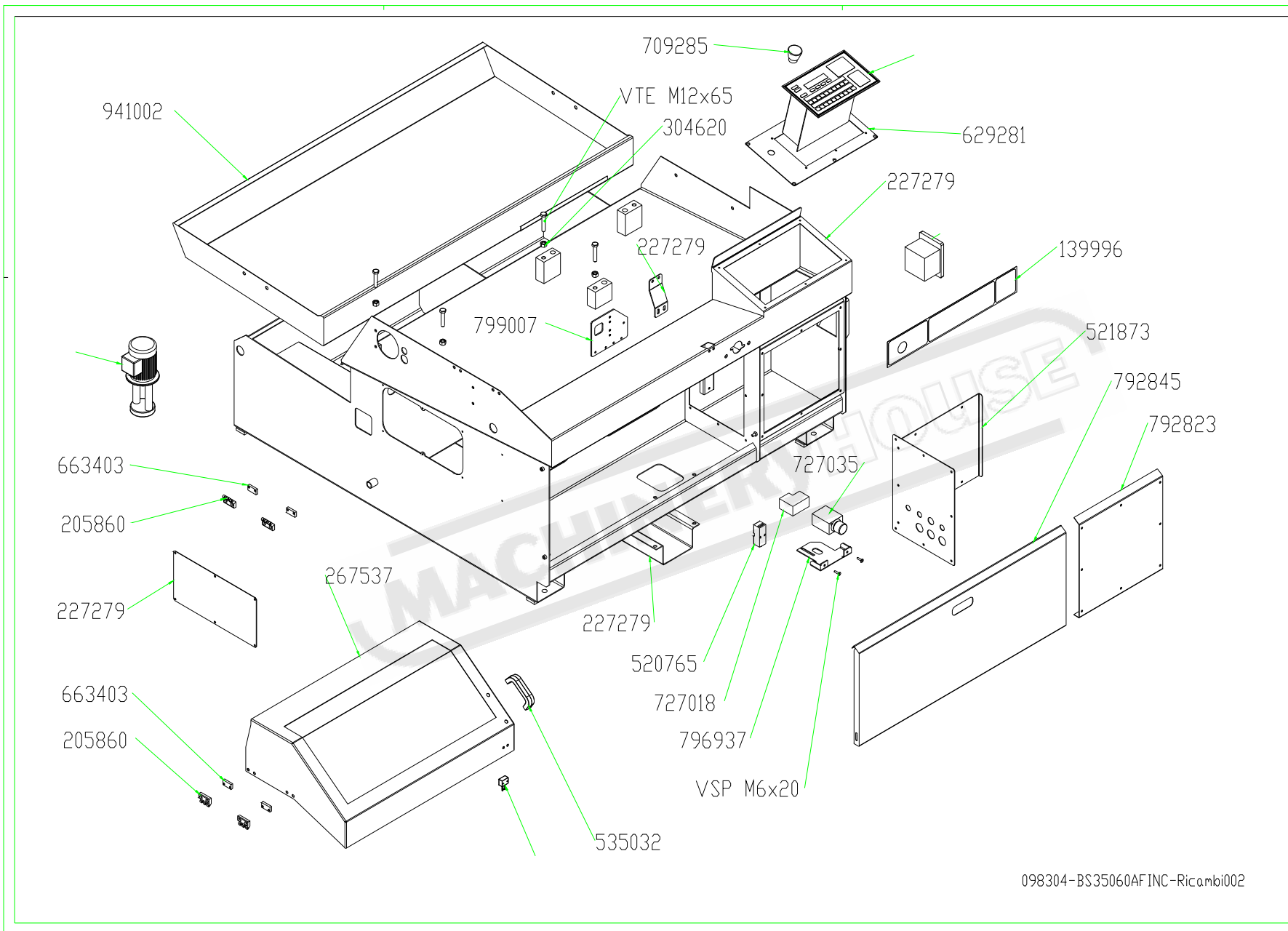
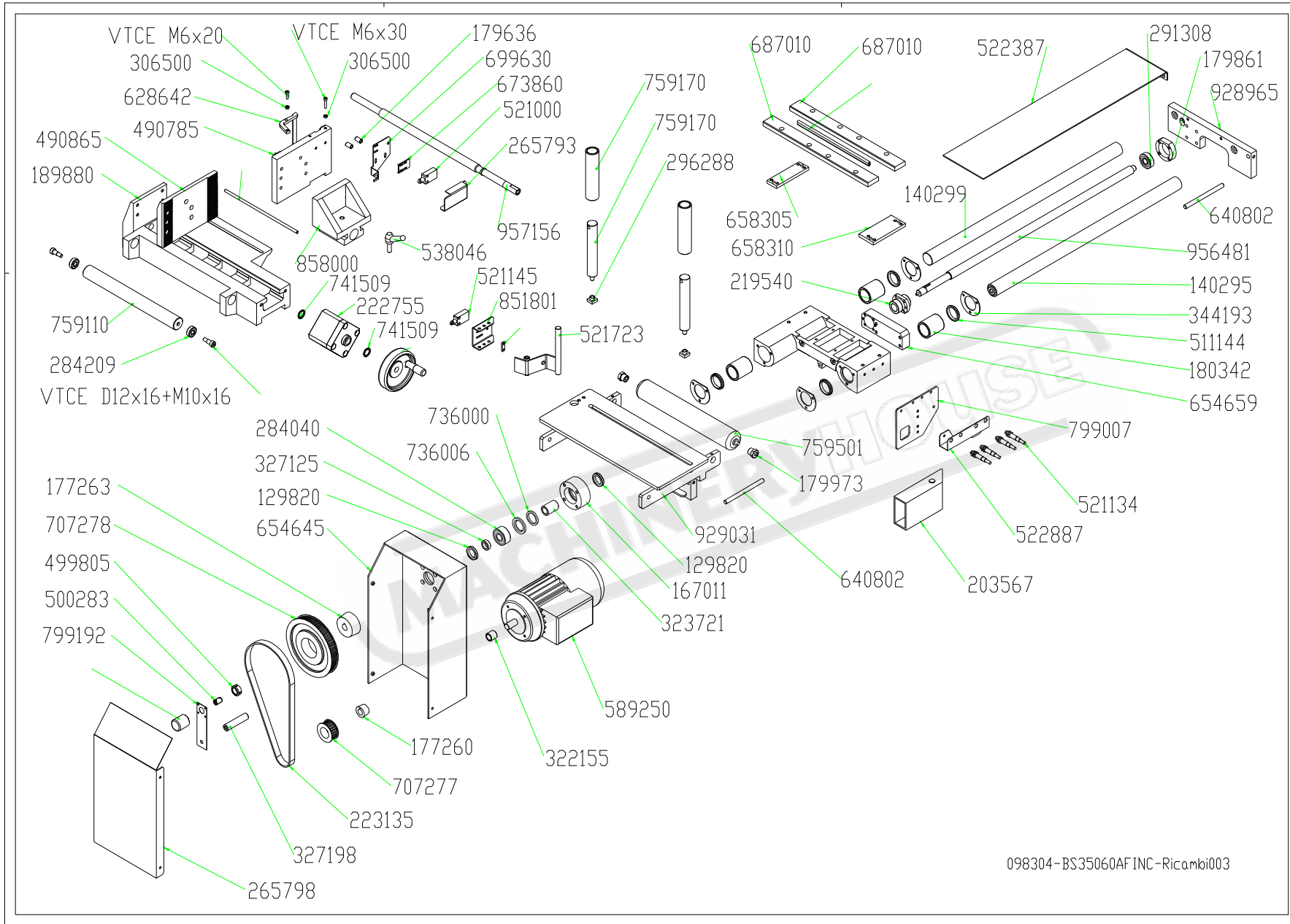
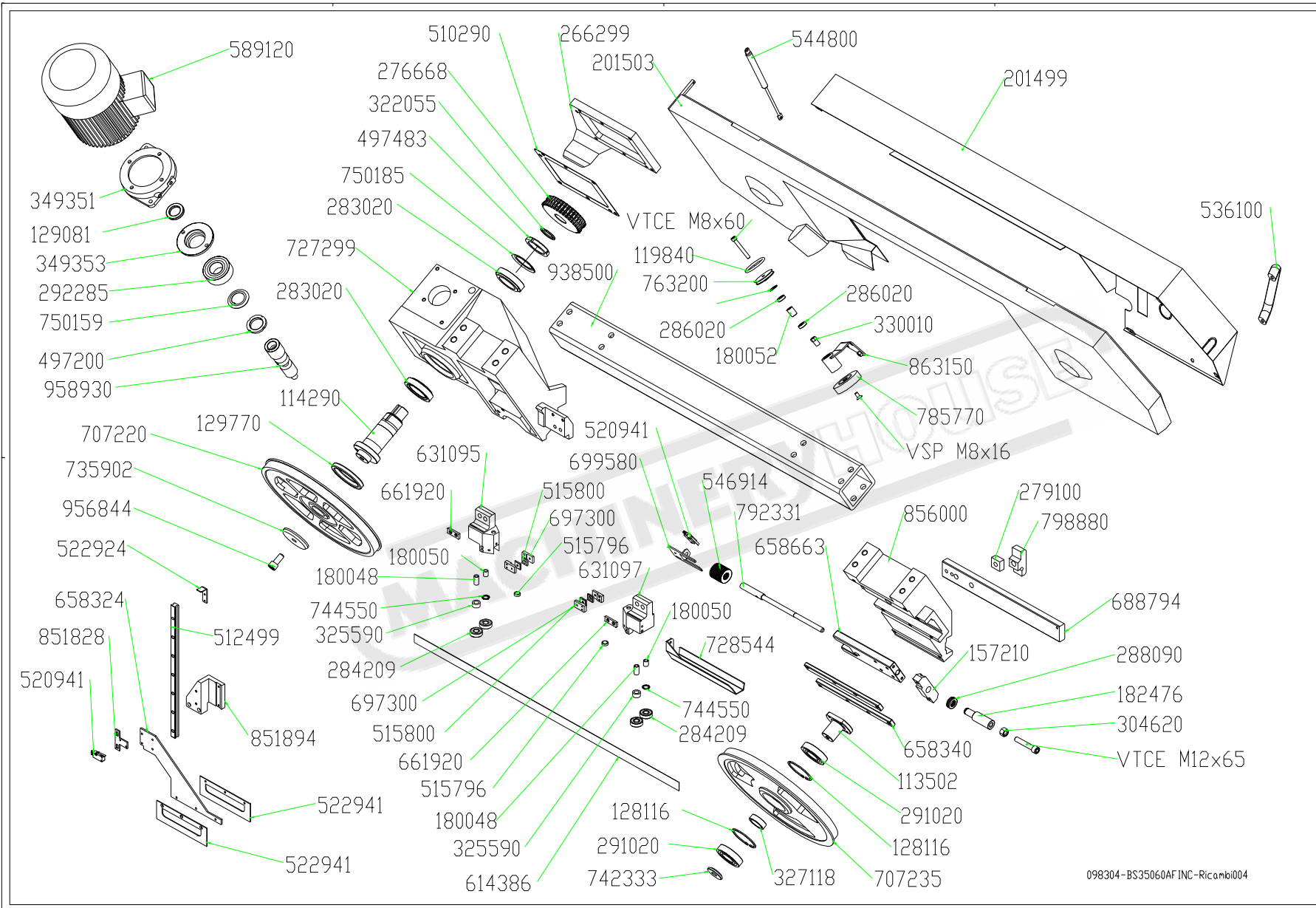


098304-BS35060AF INC-Ricambi001





098304-BS35060AFINC-Ricambi003



098304-BS35060AF-INC-Ricambi004

COD.	ITALIANO	ENGLISH	FRANCOISE	DEUTSCH
098304	BS350/60AFI-NC/ESC NEWAUT 400V 16/90 SEGATRICE	BS 350/60 AFI-NC/ESC NEWAUT	BS 350/60AFI-NC/ESC NEWAUT	
113502	ALBERO X PULEGG.ANT.BS280 FRES ATO	BS 280 FRONT BAND WHEEL SHAFT		BS 280 VORDERSCHEIBE SAEGEARM
114290	ALBERO PORTA PULEGG.POST.BS350	BS350 BACK BAND WHEEL SHAFT		BS350 RUECKSCHEIBE WELLE
118842	ANELLO ANTIESTR.BRS230 CIL.PN. KS450/600/	BACK-UP RING BRS230		
119000	ANELLO TENUT.OR4093 3,53X23,40	SEAL RING OR4093 3,53X23,40		
119574	ANELLO TENUTA OR 3275 2,62X69, 52	OR RING 3275 2,62X69		
119576	ANELLO TENUTA OR3300 2,62X75,8 7	SEAL RING OR3300 2,62X75,87		
119588	ANELLO TENUTA OR4118 3,53X29,7 5	OR RING D.3,53X29,75		
119603	ANELLO TENUTAOR4250 3,53X63,09	SEAL RING OR4250 3,53X63,09		
119840	ANELLO TENUTA OR 6187 5,34X47	OR RING 6400 3,34X47	BOUCLE OR 6187 5,34X47	DICHTRING OR 6187 5,34X47
127810	ANELLO SEEGER A17 RIGA RTD	SEEGER RING A17 RTD TABLE		
128030	ANELLO SEEGER J22 SPAZZ. BS350	SEEGER RING J22 / BS350 BRUSH		
128116	ANELLO SEEGER J72 PULEGGE FORO 72	SEEGER INNER RING J72	BOUCLE SEEGER J72 POULIES	SEEGER INNERER RING J72
129696	ANELLO TENUTA 40X55X7	SEAL RING 40X55X7	JOINT 40X55X7	
129770	ANELLO TENUTA 75X95X12	SEAL RING 75X95X12		DICHTUNGSRING 79X95X12
129820	ANELLO TENUTA 30X42X7			
136813	ASTA X RISCONTRO SCAR.350/60AF I-NC D.25	ROD FOR LENGTH STOP 350/60 D25		
139999	AUT.DIS.ARCO BS350/60AFI- NC NE WAUT (SU COLONNA)			
140295	BARRA CROM.40X788 AVANZAT.IMET LARGH.300/400 CON RETE PROTEZ	FEEDER CHROM.BAR 40X788		
140299	BARRA CROM.40X807 AVANZAT.BS35 0/60	40X807 CHROM. BAR BS35 FEEDER		
144920	BASE APPOGGIO BS350/60 NC LAVO RATO	BS350/60NC WORKED BASE SUPPORT		
154110	BLOCCHETT.GUIDA MORSA BS350/60	BS350/60 VICE BLOCK GUIDE		
157210	BLOCCHETTO TENDINASTRO 280350 FRONTALE	BAND TENSIONER BLOCK 280350NEW		
160100	BLOCCO MORSA BS350/60 NC LAVOR ATO	BS350/60 NC VICE BLOCK		
167011	BOCCOLA CUSC.VSF.BS300AFI-NC D.90X43X32	-		
169600	BRACCIO PORT.PRES.MORSA BS350A FI-E	VICE PRESS.SUPPORT BS350AFIE		
169605	BRAC.PORT.RISC.SCARI.BS35 0/60A FI-NC	VICE PRES.SUPPORT BS350/60"NC"		
177260	BUSSOLA CONIC.TAPERL.1008-D19 (PER PULEGGIA B22S8M20)			
177263	BUSSOLA CONIC.TAPERL.2012-D20 (PER PULEGGIA B72S8M20)			
179458	BUSSOLA DISTANZ.D.6,5X10X14	SPACER D.6,5X10X14		
179820	BUSSOLA BLOC.PRES.MORSA BS350A FI-E	VICE PRESS.LOCKING BUSH BS350A		
179861	BUSSOLA CUSC.VITE AVZ.BS300 NC D.40X70X16	FEEDER BEARING SCREW BUSH		
179973	BUSSOLA X REGISTR.RULLO NEWAUT (BS280-350)	BUNDLE		
179990	BUSSOLA X VOLAN.MOLLE BS350 GH GRAVITA'	SPRINGS WHEEL BUSH BS350GH		

180048	BUSSOLA 8X12X25 PATT.350450	LEFT BAND GUIDE BUSH BS350		LINKE BANDFUEHRUNGSSCHUH BUCHSE
180050	BUSSOLA 8X12X15 PATT.350450600	RIGHT BAND GUIDE BUSH BS350		RE.BANDFUEHRUNGSSCHUH BUECHSE
180052	BUSSOLA DISTANZ.SPAZ.D16 BS350	SPACER D16 BS350		DISTANZBUECHSE D16 BS350
180342	BUSSOLA A SFERE 0658-240- 40 CO MPACT STAR 40X52X60	BALL BUSH 0658-240-40	2	
182433	BUSSOLA TEMP.10X15X12 DIN179/A	TEMPERATED BUSH 10X15X12		
182466	BUSSOLA TEMP.12X18X12 DIN179/A	TEMPERATED BUSH 12X18X12		
182476	BUSSOLA TENDINASTR.300350 NEWA UT	BAND STRETCHER BUSH		
182946	CAPICORD.OCCH.11039112=6, 5X6 GIALLO BM 00331			
183887	CARRELLO MORSA BS350/60 LAVORATO X NC	BS350/60 CARRIAGE VICE WORKED		
188051	CARRELLO HIWIN HGW15CAZ0C X GU IDE SENZA PRECARICO	HIWIN HGW15CAZ0C CARRIAGE		-
188500	CARRO INFER.AVANZ.BS350/60LAVO RATO X NC	BS350/60		
189880	BLOCCO MORSA PINZA 350/60LAVORATO AFI-NC (AVANZATORE)	BLOCK VICE PINCER 350/60		
201499	CARTER COPRITUBO FIS.12" BS350 UNIFICATO	TUBE GUARD 12" BS350		
201503	CARTER NASTRO-2PEZZI-12" BS350 UNIFICATO	BAND GUARD-2 PIECES- BS350		
203567	CATENA PORTACAV.Z1MN556075 AUT OM. NEW 350	CABLES HOLDER CHAIN Z1MN556075		
205260	CENTRALIN.ARON 3 POS.COMPL+MOT MONTARE:BS280 AFI-NC	-		
205860	CERNIERA ART.401-30-M6 BOTECO PER XT410	ITEM 40-30-MT6 BOTECO HINGE		
214680	CHIAVETTA 6X6X10 UNI6604	KEY 6X6X10		
214720	CHIAVETTA 6X6X25 UNI6604	KEY 6X6X25 UNI6604		
216270	CHIAVETTA 8X7X25 UNI6604	KEY 8X7X25 UNI6604		TL CLAVETTE ENTR.BAGUE
219540	CHIOCCIOLA FH2510 SENZ.FLANGIA PER BS280/60 AFI-NC	-		-
222755	CILINDRO MORSA KS450/600 80X10	VICE HYDR. CYLINDER KS450		SCHRAUBSTOCK HYDR.ZYLINDER 450
222830	CILINDRO IDRAUL.ARCO 350 TIPO 50X140 AVVITATO	CYLINDER SHI D.50		
222965	CILINDRO INT.PRES.MORSA BS350A FI-E	VICE PRESSURE INTER.CYLINDER		
222966	CILINDRO EST.PRES.MORSA BS350A FI-E	VICE PRESSURE EXT.CYLINDER 350		
223135	CINGHIA 200S8M960 SUPERTOR 280 AFI NC - XT410	-		-
227279	COLONNA BS350/60AFI-E NEWUT (NEW01-2-2-2)	BASE FOR NEWAUT 350ROT		GRUNDLAGE NEWAUT 350 ROT
260163	CONNETTORE 4VIE+LED=S18209TC42 1 DIN43650A TRASPARENTE	4WAYS+LED CONNECTOR		4WEGE+LED VERBINDER
262000	CONTRODADO OTTONE 1/4 BM2460	BRASSED COUNTERNUT 1/4 GAS		
265792	COPERCHIO PORTA CAMMA BS350 GH GRAVITA'	CAM HOLDER COVER BS350 GH		
265798	COPERCHIO PULEG.AVZ.BS300 NC	FEEDER PULLEY COVER NEW280NC		-
266299	COPERCHIO RIDUTTORE BS350 LAVO RATO	GEAR BOX COVER		REDUKTIONSGETRIEBE DECKEL
267537	COPRIAVANZAT.NEWAUT.350	FEEDER COVER NEWAUT 350		
276668	CORONA BRONZO BS350 M3 Z37	BRONZE WHEEL BS350 ME Z37		BRONZENRAD BS 350

279100	CUNEO X STAFFA GUIDALAMA BS350	WEDGE FOR BANDGUIDE ROD BS350		KEIL FUER BANDFUEHRUNGSTANGE
280765	CUSCINETTO RULLINI HK1616 APER TO	HK1616 CARRIAGE CONNECTION		LAGER HK1616 OFFEN
283020	CUSCINETTO 32010X 50X80X20	CARR.CONN. 32010X 50X80X20	ROULEMENT 32010X50X80X20	LAGER 32010X 50X80X20
284040	CUSCINETTO 3304.TVH 20X52X22.2	-		
284209	CUSCINETTO 6201.2ZR 12X32X10	BEARING 6201.2ZR 12X32X10		LAGER 6201 2ZR 12X32X10
286020	CUSCINETTO 608.2ZR 8X22X7	BRUSH/PUMP CARRIAGE CONNECTION	ROULEMENT 608.2ZR 8X22X7	
288090	CUSCINETTO ASS.51103 17X30X9	BEARING 51103 .X.X.		
291020	CUSCINETTO 6207.2RSR 35X72X17	CARRIAGE CONNECTION 6207 35X72		LAGER 6207EE 35X72X17
291308	CUSCINETTO 6303.2RSR 17X47X14	BEARING 6303 2RSR 17X47X14		
292285	CUSCINETTO 3207A 35X72X27	CARR.CONN. 3207A 35X72X27	2	LAGER 3207A 35X72X27
322055	DISTANZIALE AGGIUST.CORONA 350	WHEEL ADJUSTING SPACER 350		SCHNECKENRAD DISTANZSTUECK 350
322155	DISTANZIALE MOT.CARRO 280/60NC 25X19X23 FOSFATATO	-		
323380	DISTANZIALE POST.CIL/RIDUT 350	CYLINDER BACK SPACER 350		ZYLINDER/REDUKT.RUECKDIS TAZSTU
323385	DISTANZIALE ANT.CIL/PIATT. 350	CYLINDER FRONT SPACER 350		ZYLINDER VORDERDISTANZSTUECK
323721	DISTANZ.CUSC.30X20X44 BS300 NC FOSFATATO	SPACER. DIA 20X30X44		
326405	DISTANZIALE PIANO APP.BS350/60 AFI-NC	BS350/60 SUPPORT BASE SPACER		
327118	DISTANZIALE PUL.D.35X42 BS280	PULLEY SPACER D.35X42 BS280		SCHEIBE DISTANZSTUECK D35X42
327125	DISTANZ.PUL.30X20X10 BS300 NC FOSFATATO	SPACER, DIA 30X20X10		
327198	DISTANZIALE ENCODER 280/60 NC 20X11X75 FOSFATATO	-		
330010	ESAGONO ATT.SPAZ.D100 BS350	HEXAGONAL BRUSH CONNECTION	HEXAGONAL POUR BROSSSE D100	SECHSKANTIGER BUERSTEANSCHLUSS
331524	EL.POMPA LUNGA AST60 PIEDE=150 230400V 1/2"- W120=PMU60LP170	LONG ELECTRIC PUMP 230400	POMPE 331524	
331770	ENCODER EL40A2000Z5/28P6X3PR 006 MT.4 CAVO INCREMENTALE	ENCODER EL40A 2000Z5/28 C6X3PR		
331775	ESAGONO MASC.ALLIN.AVANZ/MACCH INA	HEXAGON.SPACER FOR FEEDER,MALE		
331790	ESAGONO FEM.ALL.AVZ.BS350 POST ERIORE	HEXAGON.FEEDER SPACER, FEMALE		
331925	FASCETTA TUBO TORRO S 12-22/9 C7 W1	HOSE CLAMP W2 12-20		SCHLAUCHSCHELLE W2 12-20
332465	FERMO X ROTAZ.MORSA BS350/60 A FI-NC LAVORATO			
344193	FLANGIA D.80 BLOCC.RASCHIATORI AVANZAT.	FLANGE D.80 FOR FEEDER SEALS		
349351	FLANGIA RIDUT/MOTORE BS350 LAVORATA	MOTOR/REDUCTION FLANGE BS350		MOTOR/REDUKTIONSGETR.FL ANSCHNE
349353	FLANGIA VITE SENZA FINE BS350	ENDLESS SCREW FLANGE BS350		ENDSCHALTER SCHRAUBE BS350
486550	GANASCIA CARREL.MORSA BS350/60	BS350/60 VICE JAW CARRIAGE		
490785	GANASCIA CHIUS.AVANZ.BS350/60 TEMPRATA RIGATA	BS350/60 JAW ENCLOSE FEEDER		
490865	GANASC.APP.AVANZATORE BS350/60	BS350/60 JAW SUPPORT FEEDER		
491050	GANASCIA PRES.MORSA BS350 AFI- E	VICE PRESSURE JAW BS350AFI		
492630	GANASCIA AP.SIN.350/60AFIE NEW AUT	BS350/60 JAW SUPPORT LEFT NEW		

497200	GHIERA KM7 M35x1,5 VTF 500	RING KM7 M35X1,5		NUTMUTTER KM7 M35X1,5 VTF500
497303	GHIERA KM9 M45X1,5	LOCKING RING KM9 M45X1,5		NUTMUTTER KM9 M45X1,5
497483	GHIERA KM10 M50X1,5 BS350	RING KM10 M50X1,5 BS340PR		NUTMUTTER KM10 M50X1,5 BS340PR
499805	GHIERA GP PESANT.M20X1 AUTOBLO CCANTE	RING M20X1		
499850	GHIERA GP PESANT.M45X1,5 AUTOB LOCCANTE	RING M45X1,5		
500283	GIUNTO X ENCODER D.6 NYLON XT4 10 OMRON E69- C06B	COUPLER D.6 NYLON		
510200	GUARNIZIONE EL.POMPA D.130X102 X2 GOMMA ANTIOLIO	ELECTROPUMP SEAL D.130X102		
510290	GUARNIZIONE CARTA RIDUTT.BS350	REDUCTION GASKET BS350		REDUKTIONSDICHTUNG BS350
511144	GUARNIZIONE PARAP.AS40- 50-5-8	ANTIDUST GASKET AS40-50-5- 8		
511163	GUARNIZIONE RS3240 CIL. IDR.KS	PISTON SEAL RS3240		
511290	GUARNIZ.IDROSTOP DBM196133/M BS350/280 D50XD34X20.5	SAW FR.CYL.GASKET MDB2X400501		
512499	GUIDA HIWIN HGR15R420C BS350 (FORI20 E 40 MM)TASTATORE	GUIDE HIWIN LGR15R417C 20/37		
514762	IMPUGNATURA SFERA NERA D.30-M8 (MONT.FILETT.)	BLACK HANDLE DIA. 30-M8		
515753	INGRASSATORE M8 CH10 SFERA+MOL LA L1	OILER M8 CH10		
515780	INSERTO SPECIALE D15.95X6.4 BS350	SPECIAL INSERT D15,95X6,4	PLAQUETTE SPECIALE D15,95X6,4	
515800	INSERTO QUADRO SVAS.19,3X4 F.4 WXP0274=GATTIA191DB10.OD C4.2G	SQUARE CARBURE PAD 19,3X4 F.4	PLAQUETTE CARBURE 19,3X4 F.4	VIERECKIGER EINSATZ 19.3X4 F.4
520765	INTER.SICUR.FK3393-D1 CHIAV.90 °PIZZATO	SAFETY SWITCH FK3393-D1		
520941	FINCORSA LEVA ABV121260 NAIS= OMRON D2VW5L1B1M- BS-230	STROKE-END ABV161660		
521000	INTER.FINCORS=TELEMEC.XC MA1032 CAVO 2M,RUOTA 90°E700-0-BM/90	STROKE END SWITCH TELEMEC.	FIN DE COURSE	
521134	INTERR.PROSSIM.IS61= 10- 30V DC D.12 NPN/NO=(TLCC12/4 NPN/NA)	PROXIMITY SWITCH TLCC12/4		
521145	INTER.FINCORS=TELEMEC.XC MA1023 CAVO 3M,RUOTA DIR.E700-0-BM/3	STROKE END SWITCH TELEMEC.	FIN DE COURSE	ENDSCHALTER TELEMEC. XCMA1023
521210	INVERT.2,2KW ATV31HU22N4 TR400 TELEMECANIQUE 380>460V 50/60H	INVERTER ATV-31HU22N4 400V		
521255	INVERT.0,75KW ATV- 31H075M2 MON O TELEMECANIQUE 230V 50/60HZ	INVERTER 0,75KW ATV- 31H075M2		
521580	LACCIO LEGRAND 320-32 2,4X180	LEGRAND PLASTIC STRING		
521585	BASE A INCASTRO 320.76 X LACCI LEGRAND	SUPPORT FOR STINGS 320.76		
521652	LAMIERA BLOCC.TUBI OLIO BS350	OIL HOSES SUPPORT FOR BS 350		
521723	LAMIERA FC FINEBARRA BS300 NC	NEWAUT. SHEET X STROKE- END		
521873	LAMIERA COM.EL.NEWAUT. (NEW10)	EL.CONTROL SHEET METAL NEWAUT.		
521945	LAMIERA DX.SCARICO NEWAUT 350	UNLOAD IRON JAW NEWAUT 350		
522100	LAMIERA FISS.MOLLE RIDUT.BS350	REDUCTION SPRINGS FIXED GUARD		BLECH FUER FIX.FEDER/REDUKTION
522105	LAMIERA ATTACCO MOLLE BS350GH	SPRINGS CONNECTION GUARD 350SH		
522387	LAMIERA COPRI VITE AV.NEWAUT	-		

522592	LAMIERA X PIANO GIR.BS350/60AF I-NC	SHEET X BS350/60 AF PLATFORM		
522598	LAMIERA X RISC.350/60AFIE NEWA UT	SHEET X VICE BS350/60 NEW		
522623	LAMIERA SOST.SCIV.NEWAUT 350	UNLOADER SUPPORT PLATE NEW 350		
522630	LAMIERA PORTA TUBI RIDUT.BS350	TUBE SUPPORT FOR BS 350		ROEHRENTRAGER FUER BS350
522924	LAMIERA "L" FERMO TASTATORE	-		
522941	LAMIERA TASTATORE BS300	-		
532470	MANICOTTO PN. M/4 FEMM.	PNEUMATIC COUPLING M/4		
535032	MANIGLIA "U" NERA ART.1102BOM8 =M243/140	BLACK HANDLE 1102BOM8		
536419	MANIGLIA RIPRESA M8X20 TIPO 63 BRACCIO COM. 280 AFI-E	HANDLE M8X20 TYPE 63		HANDGRIFF M8X20 TYP 63
536630	MANIGLIA RIPRESA M12X35 TIPO 8 0 NERA PLT	HANDLE M12X35 TYPE 8		
536675	MANIGLIA RIPRESA M12X45 TIP.80 MASCHIO	TURNING HANDLE M12X45 TYPE 80	POIGNEE M 12X45	DREHEBARER HANDGRIFF M12X45 80
539877	MANOM.GLIC.113-13-063 40BARPSI (PER IDRAULICA)	MANOMETER 113-13-063 40BARPSI	MONOMETRE 113-13-063	MANOMETER 113-13-063 40BARPSI
544800	MOLLA GAS 082597 SIR/VEL.AF-E	GAS SPRING 082597 SIR/VEL AF-E		GAS FEDER 082597 SIR/VEL AF-E
546938	MOLLA TAZZA 40X20,4X2,5 MANDRI NO/PULEGG.	SPINDLE CUP SPRING 40X20,4X2,5	RESSORT 40X20,4X2,5	SPINDEL FEDERRING 40X20,4X2,5
546957	MOLLA TAZZA 31,5X16,3X2 TENDIN AST.BS280	CUP SPRING 31,5X16,3X2	RESSORT 31,5X16,3X2	TELLERFEDER 31,5X16,3X2
546969	MOLLA TAZZA 25X12,2X1,5	CUP SPRING 25X12,2X1,5		TELLERFEDER 25X12,2X1,5
547200	MOLLA COMPR.12X19X2 POS17CO183 BS350	SPRING 12X19X2		FEDER 12X19X2 POS17CO183
547210	MOLLA COMPR.14,5X22X2 CO186P29 BS350 SPAZZOLINO	SPRING 14,5X22X2		FEDER 14,5X22X2
547265	MOLLA COM.16,5X3X35 PS39 CO091	SPRING 16,5X3X35		
547268	MOLLA COMPR.15X58X1.2 POS189 XT320 MCO-33	SPRING 15X58X1.2		
547316	MOLLA NASELLO BASAM.BS280/350	BASE SPRING BS280PLUS/340/350		GRUNDLAGE NASE FEDER BS280/350
547652	MOLLA PER ARCO BS230-280- 350-3 40	SAW FRAME RETURN SPRING 340280	RESSORT RAPPEL ARCHET BS340-BS	RAHMEN RUECKFEDER BS340-BS280
589250	MOT.3F 4P TIP.80+TP B14 KW0,75 KW 400/230AUTOF.FRENO CC 24VD	3PH MOTOR TIP.80+TP B14 KW0,75		-
589280	MOT.3F 4P B14+VENT.MONOF BS350 *1,8*V400/230 SENZA CHIAV.FC9	3PH MOTOR+FAN B14 4P BS350 1,8		
614515- 5/7	NASTRO"350"3370X27X09 M42SVGLB (STB)DENTATURA=5/7 HV950	BAND 3370X27X09 SVGLB M42 5/7	RUBAN BS350 3370X27X09 STB 5/7	
616170	NIPPLO N4-4 1/4"A1/4" OTTONE	BRASS THREADED CONNECTION M4-4		MESSING NIPPEL M4-4 1/4"
616230	NIPPLO OLIO 1/4"X3/8"BSP RACC PER TUBO R6(CON FEMMINA 3/8")	OIL THREADED CONNECTION 1/4	616517	OEL NIPPEL 1/4" X 3/8"
616500	NIPPLO OLIO BSP 3/8" X 3/8" F113R-110 (BS350 AFI-E)	OIL THREADED CONNECTION 3/8		
616628	NIPPLO 1/2"X 1/2"ACCIAIO ZINC.	CONNECTION 1/2"X 1/2"		VERZINKTER NIPPEL 1/2"X 1/2"
628489	PALETTA ARCOGIU FINE TAGLIO (MACCHINE CON TASTATORE)	STROKE-END PLATE BOW DOWN		
629281	PANNELLO FRONT.COM.NEWAUT/SAW2	FRONT PANEL FOR NEWAUT/SAW2		
630632	PASSACAVO A MEMBRANA DG9 D.15	DIAPHRAGM CABLE GLAND DG9		
630975	PASSACAVO SCATTO SB1750- 22 NER O 145051	CABLE GLAND SB1750-22		
631095	PATTINO GUIDALAM.POST.BS350 LA VORATO	BACK BAND GUIDE BS350		HINTERER BANDFUEHRUNGSSCHUH

631097	PATTINO GUIDALAM.ANT.BS350 LAV ORATO	FRONT BAND GUIDE BS350		VORDERER BANDFUEHRUNGSSCHUH
631150	PATTINO POSTER.COMPLETO BS350	LOWER BAND GUIDE BS350		HINTERER BANDFUEHRUNGSSCHUH
631155	PATTINO ANTER.COMPLETO BS350	FRONT BAND GUIDE BS350		VORD.BANDFUEHRUNGSSCHUH K.BS350
632425	PASTIGLIA D.10 NYLON	NYLON SPACER D.10		
632788	PASTIGLIA D.10 OTTONE	BRASS. SPACER D.10		MESSING DISTANZSTUECK D.10
640800	PERNO X POSIZ.AVZ BS300NC ANTE RIORE			
640802	PERNO X POSIZ.AVZ BS300NC POST ERIORE			
646550	PERNO ATTACCO MOLLE L90 BS350	SPRINGS CONNECTION PIN L.90		FEDER VERBINDUNG STIFT L.90
651530	PERNO OSCILLANTE BS350	OSCILLATING PIN FOR BS 350		SCHWINGENDER STIFT FUER BS350
652795	PERNO CENTRALE PIAT. BS350/60 (D100X190)	PLATFORM CENTRAL PIN BS350/60		GRUNDLAGE MITTELSTIFT BS350/60
654620	PIANO GIREV.BS350/60 NC LAVORATO	BS350/60 NC WORKED ROUND SIDE		
654645	PIASTRA MOT/AVANZ.BS300AFI-NC	MOTOR FEEDER SPLATE NEW280NC		
654659	PIASTRA ATT.CHIOC.AVZ.BS300 NC (SAW2++)			
654710	PIASTRA FISS.RIDUT.PIATT.BS350	REDUCTION PLATE BLOCKING PLATE		GRUNDLAGE REDUKTION FESTPLATTE
658305	PIASTRINA SLITTA MOBILE AVANZA TORE	FEEDER MOVING PLATE		
658310	PIASTRINA SLITTA MOBILE AFI-E	MOVING SLIDE PLATE AFI-E		
658324	PIASTRA TASTATORE BS300	APPROACHING PLATE BS280		BANDSPANNERFUEHRUNGSP LATTE
658340	PIASTRA GUIDATENDINASTR.300350 FRONTALE	BAND TENSIONING GUIDE PLATE BS		BANDSPANNERFUEHRUNGSP LATTE
658612	PIASTRA SUP.FERMO ROT.BS350/60 AFI-NC LAVORATO	BS350/60 UPPER STOPLENGH PLATE		
658663	PIASTRA TENDINASTRO ANT.80X20 BS280	FRONT BAND TENS.PLATE 80X20		VORDERE BANDSPANN.PLATTE 80X20
661900	PIASTRINA X FINC.PATT.INF.VTF NUOVO	PLATE FOR LOWER BANDGUIDE VTF		
661915	PIASTRINA FINC.NASTRO NEW 2XM3 10X2X35 BRUNITA	PLATE FOR BANDSTRETCHER 2XM3		
661920	PIASTR.BLOCC.SPAZZOLINO PLUS60 (BS280 PLUS 60 GRADI)	BRUSH LOCKING PLATE BS280/60PL		
673860	PIASTRINA FINCORS.PATT.SUP.VTF 500 (LAMIERA)	BANDGUIDE STROKE-END PLATE		
681500	PIATTAF.GIREVOLE BS350/60LAVORATO X NC	BS350/60WORKED REVOL.PLATEFORM		
687010	PIATTO SLITTA MOBILE 45X443X15 AVANZAT.IMET (2 PEZ. X CODICE	MOVING SLIDE PLATE 45X443X15		
688794	PIATTO GUIDALAMA ANT.SCOR.350	MOVING FRONT BAND GUIDE PLATE		VORD.VERSCHIEB.BANDFUEH .PLATTE
690814	PISTOLA X REFRIG.ART.8966+RACC Q8606	COOLANT SPRAY GUN	PISTOLET LAVAGE	KUEHLMITTELPISTOLE + ANSCHLUSS
694925	PORTAGOMMA 1/2"M X TUBO D.14 DIRITTO	RUBB.HOSE CONNECTOR D.14X1/2"		HYDR.ANSCHLUSS F.SCHLAUCH D.14
695020	PORTAGOMMA PG8-3 D.8 INT.X3/8" DIRITTO	RUBB.HOSE CONNECTOR PG8-3 D.8		PG-VERSCHRAUBUNG 3/8" PGB-3 D8
696080	PORTAGOMMA NYLON GES6 R1/8	NYLON RUBB.HOSE CONNECTOR GES6		
696224	PORTAGOMMA NYLON WES8 R1/8 GOM ITO	NYLON RUBB.HOSE CONNECTOR R1/8		
696346	PORTAGOMMA NYLON WES8 R1/2 GOM ITO	NYLON PUSH-ON CONNECTOR R1/2		NYLON ANSCHLUSS R1/2 KNIE
697300	PORTA PLACCHETTE PATTINO BS350	PAD SUPPORT FOR BAND GUIDE 350		EINSATZLAGER FUER BANDFUEHRUNG

699580	PORTA FINCORS/MOLLE NASTRO 280 350 FRONTALE	BAND FRONT STROKE-END HOLDER		BAND VORD. ENDSCHALTER TRAGER
699591	PORTA FINCORS.ARCO FINE TAGLIO (MACCHINE CON TASTATORE)	STROKE-END HOLDER NEWAUT		ENDSCHALTER TRAGER NEWAUT
700793	PROLUNGA BSP 1/4"M X 1/4"F L17 GMFF-106	HEXAGONAL EXTENTION 1/4"MX1/4F		
707220	PULEGGIA MOTRICE D.360(350/450)	PULLEY D.360 BS350		SCHEIBE D.360 BS350
707235	PULEGGIA CONDOTTA D360(350/450)	PULLEY D.360 BS350		SCHEIBE D.360 BS350
707277	PULEGG.SUPERTORQ. STPDB22M20+ BUSS CON.BC2520F19 280 AFI NC			
707278	PULEG.SUPERTORQ.STPD 72S8M20+ BUSS.CON.BC5030F20 280 AFI NC			
716145	RACCORDO GOMITO G- 4MF=5020A1/4	ELBOW CONNECTION G- AMF=5020A1		KNIEVERBINDUNG G- AMF=5020A1
716823	RACC.OLIO DIR.D.6 1/4"CIL=E211 -106S	OIL CONNECTION D.6 1/4"		
716834	RACC.OLIO DIR.D.8 1/4"CIL.E211 -108L	OIL CONNECTION D.8 1/4"CILE211		OELLEITUNG D.8 1/4" CILE 211
718999	RACC.OLIO GOM.D.8 1/4"CON.E231 -208L	OIL CONNECTION D.8 1/4"CON.		
719061	RACC.OLIO GIR.D.8 1/4"CIL.E321 -108L=TN131	OIL CONNECTION D.8 1/4"CILE321		
719073	RACC.OLIO DIR.D.6 1/8"CON.	OIL CONNECTION D.6 1/8"		
719108	RACC.OLIO GOM.BSP F91-110 3/8- 3/8 (BS350 AFI-E)	OIL CONNECTION 3/8" F91-110		
722000	RACCORDO 3VIE 1/2"FEMM.ACC.ZIN CATO	3WAY CONNECTION 1/2"		3WEGE VERBINDUNG 1/2" NUT
722172	RACCORDO "T"1/2"FEMM.ACC.ZINC.	CONNECTION "T" 1/2"		
722345	RACCORDO T-4FFM-L=4050 DA 1/4"	CONNECTION T-4FFM-L=4050 1/4"	2	T-VERBINDUNG 4FFM-L 1/4"
723234	RACCORDO T-FFF BSP 3/8" ATFFF-110	CONNECTION 3/8" ATFFF-110		
727044	REGOLAT.IDR.ARON TIPO 2 COMPL. ALL.USO:BS280/350 SHIE+AFIE+N	CMP.UNIT SPEED REGULATOR ARON		
727299	RIDUTTORE X ARCO BS350 LAVORAT A	FRAME REDUCER BS350		REDUKTION FUER RAHMEN BS350
727513	RIDUZ.OLIO 3/8"F-1/4"M BSP	REDUCTION 3/8"FX1/4"M BSP		
727801	RIDUZ.EL.PG16 M-PG13,5 F TIPO TX RPP43 SACCHI	REDUCTION PG16M PG13.5F		
728544	RIPARO ANTERIORE NASTRO BS350	FRONT BAND COVER BS350		VORDERES BANDSCHUTZGEHAUSE
730000	RIPARO VITE MORSA BS350/60AFI- NC TPN25	BS350/60AFI SCREW VICE GUARD		
732913	RISCONTRO SCAR.PEZZ.BS350/60AF I-NC	BS350/60AFI PCS UNLOAD.		
734694	RONDELLA RAME 1/4	COPPER WASHER 1/4		
734698	RONDELLA RAME 1/8	COPPER WASHER 1/8		
735602	RONDELLA APPOGGIO SS22X32X2 DIN 988 HRC45	SUPPORT WASHER SS22X32X2		AUFLAGE-FEDERRING SS22X32X2
735902	RONDELLA PULEGGIA POSTER.BS350	BACK PULLEY WASHER BS350	RONDELLE PULIE POSTER. BS350	HINTERE SCHEIBE FEDERRING BS35
736000	RONDELLA POLIURET.ARANCIO D.47 VITE AVANZ.NC	WASHER D.47 BS340PR		
736006	RONDELLA D.51,5 VITE BS300 NC			
736230	RONDELLA MOB.PRES.MORSA BS350A FI- E	VICE WASHER BS350AFIE		
736250	RONDELLA FIS.PRES.MORSA BS350A FI-E	VICE WASHER BS350AFIE		
738976	RONDELLA 45X12X5 BRUNITA	WASHER 45X12X5		FEDERRING 45X12X5
741509	RONDELLA APPOGGIO SS20X28X2 DIN 988 HRC45	SUPPORT WASHER SS20X28X2	RONDELLE VOLANT SS20X28X2	DICHTRING SS20X28X2
742333	RONDELLA 45X35X10,5	WASHER 45X35X10,5	RONDELLE 45X35X10,5	FEDERRING 45X35X10,5

	SVASATA			
742431	RONDELLA 35X10X6 BRUNITA	BURNISHED WASHER 35X10X6		
744045	RONDELLA SPECIALE D.20X5 BRUN.	SPECIAL BURNISHED WASHER 20X5	RONDELLE D.20X5	SPEZIALUNTERLEGSCHIEBE D.20X5
744190	RONDELLA CARTER D.20X8X8 P.300 BRUNITA	BLADE GUARD WASHER D.20X8X8		
744550	RONDELLA APPOGGIO SS13X19X1,5 DIN988 HRC45 AVANZAT.280AFIE	SUPPORT WASHER SS13X19X1,5		AUFLAGE FEDERRING SS13X19X1,5
744611	RONDELLA STAMPATA 5X15X1,2	PRINTED WASHER 5X15X1,2		
744715	RONDELLA STAMPATA 6X18X2	PRINTED WASHER 6X18X2		GEDRUECKTER FEDERRING 6X18X2
744820	RONDELLA STAMPATA 8X24X2	PRINTED WASHER 8X24X2		
744987	RONDELLA STAMP.12X30X4 BRUNITA	PRINTED WASHER 12X30X4		GEDRUCKTER FEDERRING 12X30X4
744998	RONDELLA STAMPATA 14X35X3	PRINTED WASHER 16X40X3,5		
755801	RUBINETTO ART.6310 1/8"MF (DISTR.REFRIG.280 AFIE)	COCK 6310 1/8"MF		HAHN 6310 1/8"MF
755888	RUBINETTO SFERA ART.400 1/4"FF FEM/FEM (ART.6300 - 1/4-FFAGNE	COCK ART.400 1/4" FEM/FEM.		
755901	RUBINETTO SFERA ART.405 3/8"MF	COCK ART.405 3/8"	ROBINET ART.405 3/8" MF	
755995	RUBINETTO SFERA ART.405 1/2"MF	COCK 405 1/2"MF		HAHN 405 1/2"MF
759110	RULLO D.40X383 AVANZATORI AFI	FEEDER SLIDE ROLLER AFI-E		
759170	RULLO AP.VERT.40x168+30xM12X20 NEWAUT	VERT.ROLLER FEEDER NEWAUT		
759501	RULLO GL/10 60Z C400 D10 S1,5 MOLLA ACC.ZINC.(RULLIERE W40)	ROLLER GL/10 60HZ C400 D10S1,5	2	ROLLER GL/10 60HZ C400 D10S1,5
763200	RUOTA TRASCINAM.SPAZZOL.BS350	BRUSH DRIVE WHEEL FOR BS 350		BUERSTE FUEHRUNGSRAD FUER BS35
773027	SCIVOLO SCARIC COL.NEWAUT.350 (05)	NEWAUT.BASE UNLOADED SHUTE 350		
778615	SFERA D.12 NASELL.PIATTAF.BS28 0/BS340	BALL D.12 BS280		KUGEL D.12 GRUNDPLATTE BS280
780850	SNODO UNIBALL SMG10 M10 MASCHI O	UNIBALL JOINT SMG10 M10		UNIBALL GELENK SMG10 M10 ZAPFE
785770	SPAZZOLA NYLON 100x20+PERNO D6 (SENZA PERNO PER BS350/KS)	NYLON BRUSH D.100X20		NYLON BUERSTE D.100X20
788270	SPINA EL.SPIROL 5X10 DIN7343	ELASTIC PIN 5X10 DIN7343		
789065	SPINA EL.SPIROL 6X20 DIN7343	ELASTIC PIN 6X20 DIN7343		
791945	SPINA CIL.8X26 DIN 1472 INTAGL I	CYLINDRICAL PIN 8X26 DIN1472		ZYL. STIFT 8X26 DIN1472
792331	SPINA TENDINASTRO BS300350 M12 D.16X290	BAND TENSIONING ROD 280350 NEW		VORDERER BANDSPANNER STIFT
792823	SPORTELLO FISSO DX.COL.BS300 A FI-E NEWAUT	FRONT FIX DOOR FOR BASE NEWAUT		
792845	SPORTELLO MOBILE COLON. NEWAUT (NEW03)	FRONT MOB.DOOR FOR BASE NEWAUT		
796801	SQUADRETTA PORTA GUAINA 1/4" BS350/60 NC NEWAUT	BRACKET 1/4"		HUELLE AUFLAGEWINKEL 1/4"
796809	SQUADRETTA PORTA GUAINA 1" FO RO D.38	BRACKET 1"		HUELLE AUFLAGEWINKEL 1"
796937	SQUADR.PORTA REGOL.VELOC.NEWAU T BS350 AFI-E	L.SQUARE SPEED REG. LOADER		-
798880	STAFFA BLOCCAG.GUIDALAMA BS350	BANDGUIDE LOCKING BRACKET BS35		BANDFUEHRUNG SPERRSTANGE BS350
799007	STAFFA CATENA AVANZ.NEWAUT350	CHAIN FIXING PLATE NEWAUT350		
799192	STAFFA X ENCODER CARRO XT410	XT410BRACKETX CARRIAGE ENCODER		
799280	STAFFA PRES.MORSA BS350	VICE PRESSURE BRACKET		

	AFI-E	BS350AFI		
800901	STRISCIA TAST.SAW2 BS280 001	LABEL		
800903	STRISCIA TAST.SAW2 BS280 002	LABEL		
851799	SUPPORTO ANTER.CILINDRO BS350	CYLINDER FRONT SUPPORT BS350		ZYLINDER VORDERAUFLAGE BS350
851801	SUPPORTO BANDIER.FINBARR.XT320	STROKE-END SUPPORT XT320		
851828	SUPPORTO GRUPPO TASTAT.BS300	-		-
851894	SUPPORTO GUIDA TASTAT.BS350			
855372	SUPPORTO X FERMO ROTA.BS350/60 AFI-NC LAVORATO	BS350/60 SUPPORT X STOP ROTAT.		
858000	SUPP/CHIOCC.AVANZ.BS350/6 OLAVO RATO X NC	BS350/60 W. SUPP/NUT FEEDER		
863150	SUPPORTO SPAZZ. SALDATO BS350 (LAMIERA+BOCCOLA)	BRUSH SUPPORT BS350		BUERSTEAUFLAGE BS350
864623	TAPPO OLIO+GUARN.1/2"CIL.=E336 FOSFATATO NERO	OIL TANK PLUG AND GASKET 1/2"		VERSCHLUSSSTOPFEN 1/2"
864724	TAPPO OLIO+GUARN.1/4"CIL.=	OIL PLUG+GASKET 1/4"		
865362	TAPPO+ASTINA ALS 2-18	PLUG+BAR ALS 2-18		
911017	TARGHET.GRAD.PIANO GIR.BS350/60 AFI-NC (60°45° 0°)	BS350/60 GRAD.TURNING T. PLATE		-
918420	TARGHETTA ZERO PERF.REC.UNIV.	0° PLATE	ÉTIQUETTE ZERO PERF.REC.UNIV.	
918648	TASTIER.SAW2 XT320+KT+NC/0640 CEB (20I/O,2CANALEDAC+ADC+1E NC	KEYBOARD SAW2/IMET 1 ENCODER		
928521	TESTATA SUP.PRES.MORSA BS350AF I-E	VICE UPPER CONNECTION BS350AF		
928965	TESTATA ANT.AVANZ.NEWAUT.350 (07)	FEEDER FRONT HEAD NEWAUT.350		
929031	TESTATA POST.AVANZ.NEWAUT.AFNC (SAW2++)	FEEDER REAR HEAD NEWAUT. NC		
929290	TIRANTE M10X95 CENTR.IDR.AFI-E	TIE ROD M10X95 AFIE		
929342	TIRANTE M12X115 MORSA 280AFI-E	TIE ROD M12X115 FOR VICE 280AF		
929345	TIRANTE M12X140TENS.MOLL.BS350 (SARA'M12X130)	TIE ROD M12X140 BS350		
933571	TUBO R6 3/8" 4500+FEMM.REC.3/8 " 350 AFI- E	TUBE R6 3/8"		
933575	TUBO R6 3/8" 3150+FEMM.REC.3/8 " 280 AFI- E	TUBE R6 3/8" 3150		
933580	TUBO R6 3/8" 2550+FEMM.REC.3/8 " 280SHIE	TUBE R6 3/8" 2550		
933592	TUBO R6 3/8" 2860+FEMM.REC.3/8 " 280 AFI- E	TUBE R6 3/8" 2860		
933620	TUBO R6 3/8" 2000+FEMM.REC.3/8 " 280 AFI- E	TUBE R6 3/8" 2000		
933625	TUBO R6 3/8" 1500+FEMM.REC.3/8	TUBE R6 3/8" 1500		
933633	TUBO R6 3/8" 1200+FEMM.REC.3/8 " 280SHIE	TUBE R6 3/8" 1200		
933800	TUBETTO FISSAGGIO MOLLE BS350	SPRINGS FIXING TUBE BS350		FEDER BEFESTIGUNG ROEHRCHEN
935493	TUBO RETINATO 13X19 ARIANNA	PLASTIC TUBE 13X19 ARIANNA		
935500	TUBO RETINATO 8X14 ARIANNA	PLASTIC TUBE 8X14 ARIANNA		SCHLAUCH 8X14 ARIANNA
936245	TUBETTO GEMMA 8X12 = 80 GR/MT.	COOLANT HOSE 8X12		

936290	TUBO AL 360:GETTO 2828=26,5X1	TUBE 360		
936292	TUBO AL360 3/8:1PZ=13,9COD2820	TUBE 360 3/8		
936294	TUBO AL360:RAC.FIL.2840=3/8D10	TUBE 360 / 2840		
936865	TUBO R7 1/4"4300+CODOL.d8:2DIR ITTI KS450	TUBE R7 1/4" 4300		
937711	TUBO R7 3/16"1330+CODOL.d6:1DI R/1- 90"340	TUBE R7 3/16" 1330		
938500	TUBOLARE STRUTTURA ARCO BS350 100X99	TUBULAR SAW FRAME BS350		ROEHRENFOERMIGER RAHMEN BS350
940000	VALVOLA OL.RITEGNO ATOS=HR013 ARON=AM3UPA1	PILOT CHECK VALVE ATOS=HRO13		
940003	VALVOLA RIDUT.PRES.AM3VRPIM1 ARON CON VOLANTINO"PER VTF"	VALVE AM3RPPIM1		
941002	VASCA RACC.TRUCIOLI NEWAUT.350 (08)	CHIPS CONTAINER NEWAUT. 350		
956481	VITE SFERE FH2510 ISO T7 L.990 NEWAUT 280/60 NC	-		-
956843	VITE TE M14X30 SIN.SVASATA	LEFT SCREW TE M14X30	VIS GAUCHE TE M14X30	
956844	VITE TE M14X30 SIN.CL.8.8	LEFT SCREW TE M14X30 CL.8.8	VIS GAUCHE TE M14X30 CL.8.8	LINKE SCHRAUBE TE M14X30 CL.8.8
957147	VITE MORSA BS350/60 AFI-E NEWA UT	-		-
957156	VITE CHIUS.PINZA AVANZ.NEWAUT BS300/350 AFI-E-NC	FEEDER VICE CLOSIN.SCREW AFINC		VORSCHUBSCHRAUBSTOCK SCHRAUBE
958930	VITE SENZA FINE BS350	ENDLESS SCREW BS350 GH		SCHNECKE BS350
961114	VITE REGOLAZIONE M24X2 XT410	XT410 M24X2 REG. SCREW		-
964225	VOLANTINO MOLLE ART.199- 10 M12 PASSANTE BS350 GH GRAVITA'	SPRINGS WHEEL 199-10 M12		
964234	VOLANTINO 19912520H7PFT-O IMET FINITO (PRECED.GE0016A6)	WHEEL 19912520H7PFT-O		HANDRAD 19912520H7PFT-0

QUICK-USE INSTRUCTIONS FOR THE AUTOMATIC BANDSAW BS 300/60 AFI-NC AND BS 350/60 AFI-NC

1- If the machine has not been installed yet, pls. read the 2 pages regarding INSTALLATION

In order to check that the electrical supply has been connected, switch-on the oil pump by pushing the #10 push button, then push #03 or #13: if the cutting unit moves up or down everything is OK; if nothing moves, disconnect and reverse two of the wires in the plug. Remember to connect the NEUTRAL WIRE, too.

NOTE: if the emergency button is pressed, nothing moves and the display shows the error message.

2 - If you carry out correctly these operations, you can start running the saw in SEMIAUTOMATIC cycle:

Push START I to make a single cut; if everything is OK , the sawframe drops quickly until it touches the material, then slows down, makes the cut and then goes up again.

In order to start, adjust the vice position with the correspondent wheel: move it all the way against the bar and then come back by 3/4 of a round

(NOTE during the semiautomatic cycle the feeder vice is not controlled)

It is recommended to make some cuts to choose the most suited blade speed (with the buttons # 07/08) and downfeed speed with the adjustment handle (12/RI0439). Adjust then the feeder vice (buttons 01/11 to open and close it)

3 - Push PGM to access the menu of the automatic cycle, then push the button below the word NEW which appears on the display. Dial in the data on the cuts to make: to the right of the symbol L the cutting length, then confirm with ENTER; to the right side of the symbol Q the number of pieces to cut and press ENTER. Push Exit if there are no other data to store or dial in other cutting lengths and related number of cuts.

4 - If you carry out correctly this procedure, you can start working in AUTOMATIC cycle.