



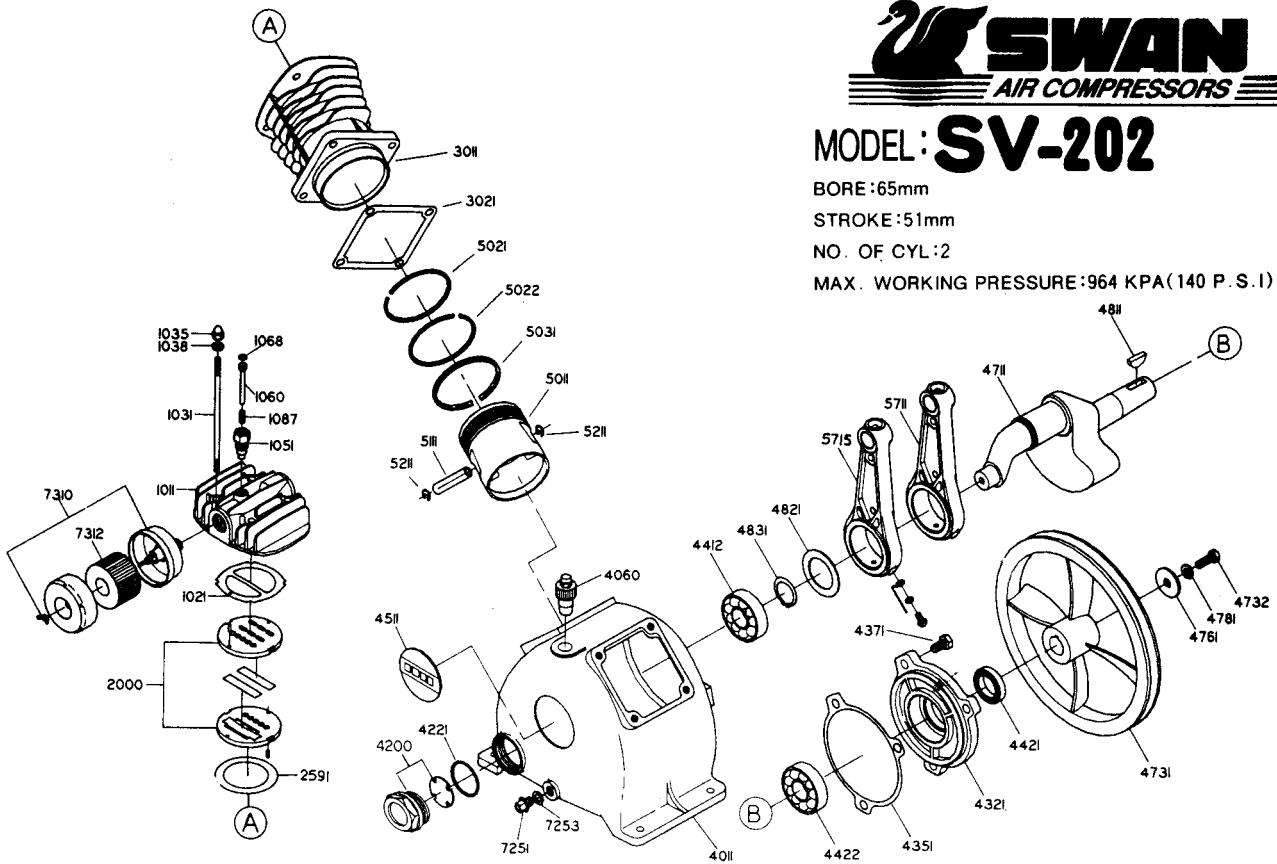
# MODEL: SV-202

BORE : 65mm

STROKE : 51mm

NO. OF CYL : 2

MAX. WORKING PRESSURE : 964 KPA (140 P. S. I)



SV-202

PART NO.	DESCRIPTION	Q'TY	PART NO.	DESCRIPTION	Q'TY
1011	Cylinder head	2	4422	Rear bearing	1
1021	Head packing	2	4511	Front cover	1
1031	Set bolt	8	4711	Crankshaft	1
1035	Set nut	8	4731	Flywheel	1
1038	Spring washer	8	4732	Set bolt	1
1051	Unloading nut	U:2	4761	Thrust washer	1
1060	Unloading piston	U:2	4781	Spring washer	1
1068	O ring	U:2	4811	Flywheel key	1
1087	Unloading spring	U:2	4821	Stopping washer	1
2000	Valve assy	2	4831	Snap ring	1
2591	Valve packing	2	5011	Piston	2
3011	Cylinder	2	5021	Compression ring (I)	2
3021	Cylinder packing	2	5022	Compression ring (II)	2
4011	Crankcase	1	5031	Oil control ring	2
4060	Breather assy	1	5111	Piston pin	2
4200	Oil gauge assy	1	5211	Snap ring	4
4221	O ring	1	5711	Connecting rod	1
4321	Bearing case	1	5715	Connecting rod W/ dipper	1
4351	Bearing case packing	1	7251	Oil drain plug	1
4371	Set bolt	3	7253	Oil drain washer	1
4412	Front bearing	1	7310	Air cleaner assy	2
4421	Oil seal	1	7312	Filter element	2