

Hypertherm®

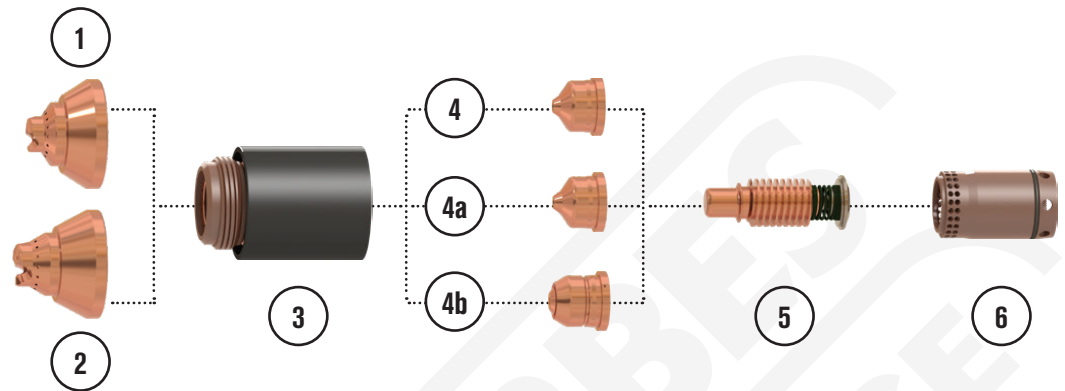
Cut with confidence®

Powermax 125®

Duramax® 85° hand torch consumables

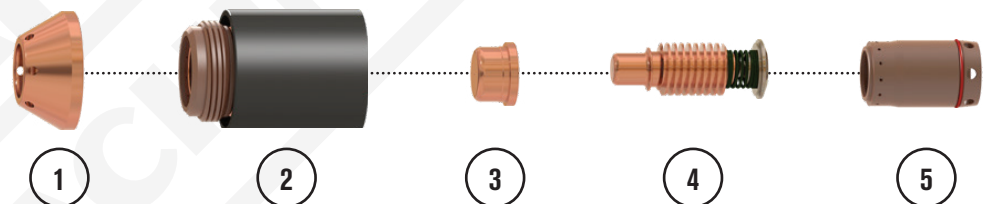


Drag Cutting (30-125A)



Item	Order Number	Part Number	Description
1	P8550	420172	Shield / Deflector 65A - Packet of 1
2	P8551	420000	Shield / Deflector 125A - Packet of 1
3	P859	220977	Retaining Cap - Packet of 1
4	P852	420158	Nozzle 45A - Packet of 5
4a	P851	420169	Nozzle 65A - Packet of 5
4b	P850	220975	Nozzle 125A - Packet of 5
5	P849	220971	Electrode - Packet of 5
6	P857	220997	Swirl Ring - Packet of 1

FineCut (30-45A)



Item	Order Number	Part Number	Description
1	P856	420152	Shield / Deflector - Packet of 1
2	P859	220977	Retaining Cap - Packet of 1
3	P853	420151	Nozzle - Packet of 5
4	P849	220971	Electrode - Packet of 5
5	P858	420159	Swirl Ring - Packet of 1

Order online @ www.machineryhouse.com.au

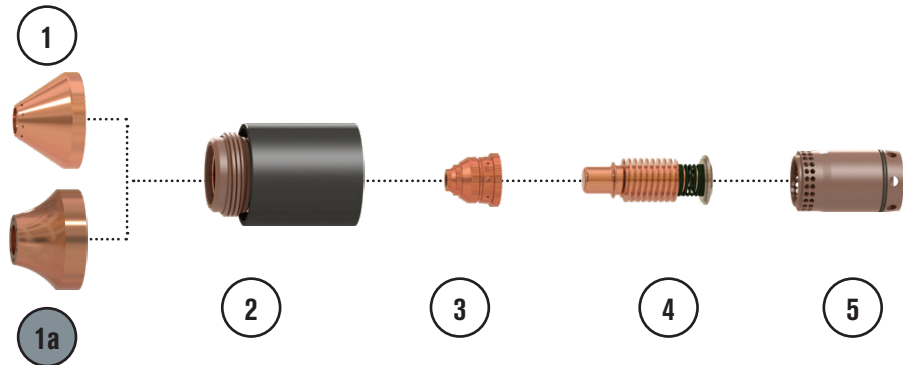
Powermax125[®] Duramax[®] 85° hand torch consumables - continued

Max Removal Gouging (65-125A)

The Max removal gouging shield is designed for aggressive metal removal, deep gouge profiles and extreme metal washing.

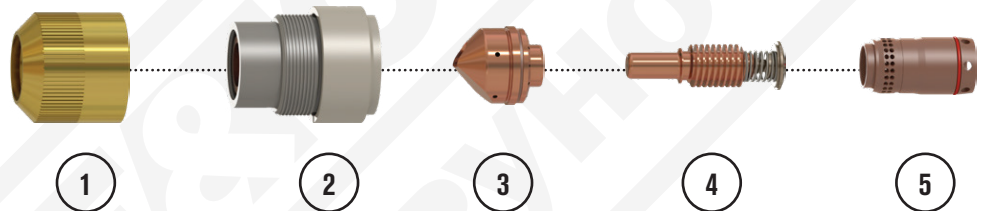
Max Control Gouging (65-125A)

The Max control gouging shield is designed for more precise metal removal, shallower gouge profiles and light metal washing.



Item	Order Number	Part Number	Description
1	P8552	420112	Shield / Deflector - Packet of 1
1a	P8553	420509	Shield / Deflector - Packet of 1
2	P859	220977	Retaining Cap - Packet of 1
3	P8530	420001	Nozzle - Packet of 5
4	P849	220971	Electrode - Packet of 5
5	P857	220997	Swirl ring - Packet of 1

Hyamp FlushCut (85-125A)



Item	Order Number	Part Number	Description
1	P8590	420485	Retaining Ring - Packet of 1
2	P8591	420490	Retaining Cap - Packet of 1
3	P8531	420489	Nozzle/Shield assembly - Packet of 1
4	P8490	420553	Electrode - Packet of 1
5	P8580	420484	Swirl Ring - Packet of 1