

Hartford **LG HIGH SPEED SERIES** Vertical Machining Centres

FEATURES

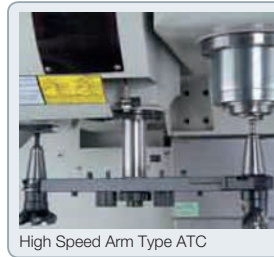
- High speed cost effective job shop or production machines
- BT40 and BT30 spindle options
- Integral, direct drive or belt drive spindle options to suit specific applications
- Built ready to accept additional 4th axis for complex machining processes

CAPACITIES

- X Axis travel up to 1000mm
- Y Axis travel up to 510mm
- Z Axis travel up to 630mm
- Spindle speed up to 20000rpm



Through Spindle Coolant Options



High Speed Arm Type ATC



High Speed Machining

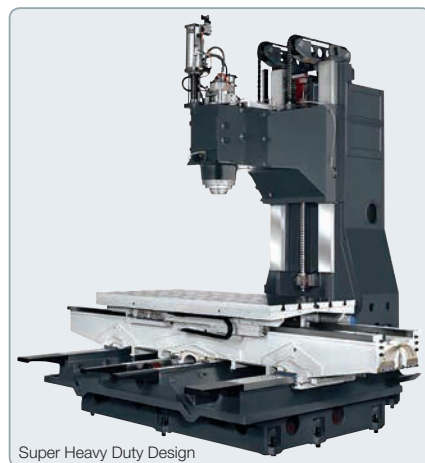
Hartford **HCMC SUPER HEAVY DUTY SERIES** Vertical Machining Centres

FEATURES

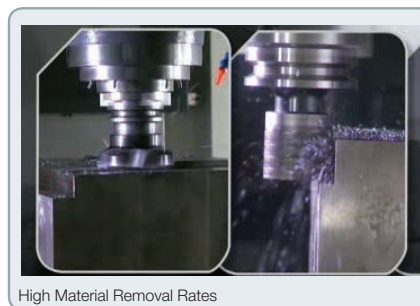
- Super heavy duty box guideway construction, high table load capacity
- BT40 and BT50 spindle options
- Direct drive or gearbox drive spindle options to suit specific applications
- Built ready to accept additional 4th axis for complex machining processes

CAPACITIES

- X Axis travel up to 3100mm
- Y Axis travel up to 1020mm
- Z Axis travel up to 820mm
- Spindle speed up to 12000rpm



Super Heavy Duty Design



High Material Removal Rates



Hi Torque Gear Head Options