

Hartford **SWORD DUAL COLUMN SERIES**
Dual Column Machining Centres

FEATURES

- Box guideway or linear guideway options
- 90° & multiple angle head options with auto head changing
- Direct drive or gearbox drive spindle options to suit specific applications
- Massive workpiece weight and dimensional capacities

CAPACITIES

- X Axis travel up to 3100mm
- Y Axis travel up to 1020mm
- Z Axis travel up to 820mm
- Spindle speed up to 12000rpm



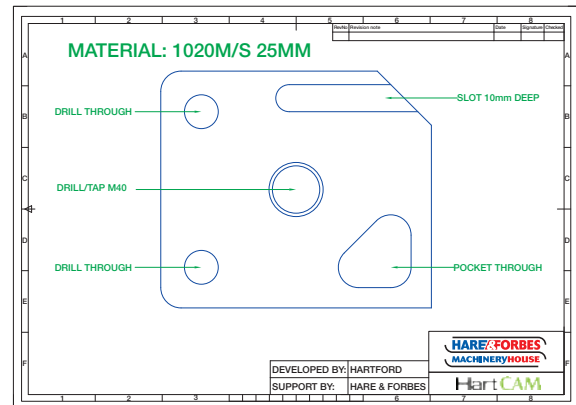
HartCAM

Hartrol plus

DXF - NC CODE PROGRAMMING

- Import your workpiece drawings directly to the Hartrol Plus controller & it can generate your G-code program

NEW CONTROLLER TECHNOLOGY



FEATURES

- 19" Touch Screen
- 32GB SSD Hard Drive
- 2.5D CAM Software
- USB + Ethernet
- 678 Block Look Ahead Standard (2000 Block Optional)
- Onboard productivity apps
- Adaptive feedrate control
- Onboard E Book Manuals
- Plus many more features

i-M@chine



Hartford **PBM HORIZONTAL**
CNC Boring Machines

FEATURES

- Multi-purpose, high-speed, and high-precision horizontal boring machines
- High-torque spindle head for heavy duty cutting
- Semi or full splash guarding options to keep you safe
- High table load capacity

CAPACITIES

- X Axis travel up to 4000mm
- Y Axis travel up to 2500mm
- Z Axis travel 2000mm
- W Axis travel up to 700mm
- Quill diameter 110-130mm

