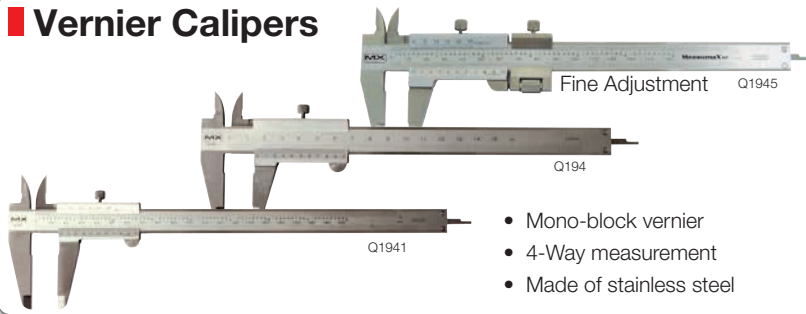


Vernier Calipers



- Mono-block vernier
- 4-Way measurement
- Made of stainless steel

CODE	RANGE	GRADUATIONS	TYPE	ex GST	inc GST
Q1945	0-130mm/5"	0.02mm/0.001"	Fine Adj.	\$55	\$60.50
Q1946	0-180mm/7"	0.02mm/0.001"	Fine Adj.	\$65	\$71.50
Q1947	0-280mm/11"	0.02mm/0.001"	Fine Adj.	\$115	\$126.50

CODE	RANGE	GRADUATIONS	TYPE	ex GST	inc GST
Q194	0-150mm	0.02mm	Std. Lock	\$45	\$49.50
Q1941	0-200mm	0.02mm/0.001"	Std. Lock	\$60	\$66.00

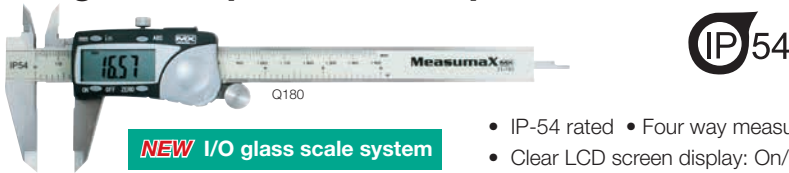
Vernier Calipers - Heavy Duty

- Mono-block vernier
- Fine adjustment
- Made of stainless steel



CODE	RANGE	GRADUATIONS	JAW LENGTH	TYPE	ex GST	inc GST
Q197	450mm/18"	0.02mm/0.001"	150mm	3 Way	\$290	\$319
Q1985	600mm/24"	0.02mm/0.001"	150mm	3 Way	\$340	\$374
Q199	1000mm/40"	0.02mm/0.001"	200mm	3 Way	\$900	\$990

Digital Calipers - IP-54 Splash Proof

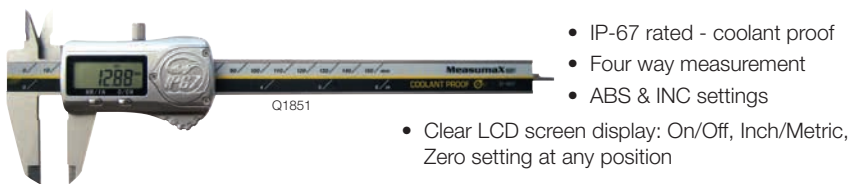


NEW I/O glass scale system

- IP-54 rated
- Four way measurement
- Measurement tracking speed 40"/sec
- Accuracy DIN862
- Clear LCD screen display: On/Off, Inch/Metric, Zero switches - Zero setting at any position ABS/INC

CODE	RANGE	RESOLUTION	ex GST	inc GST
Q180	150mm/6"	0.01mm/0.0005"	\$98.00	\$107.80
Q181	200mm/8"	0.01mm/0.0005"	\$126.50	\$139.15
Q182	300mm/12"	0.01mm/0.0005"	\$186.00	\$204.60

Digital Calipers - IP-67 Coolant Proof



- IP-67 rated - coolant proof
- Four way measurement
- ABS & INC settings
- Clear LCD screen display: On/Off, Inch/Metric, Zero setting at any position



CODE	RANGE	RESOLUTION	ex GST	inc GST
Q1851	150mm/6"	0.01mm/0.0005"	\$198	\$217.80
Q1861	200mm/8"	0.01mm/0.0005"	\$220	\$242.00
Q1871	300mm/12"	0.01mm/0.0005"	\$290	\$319.00

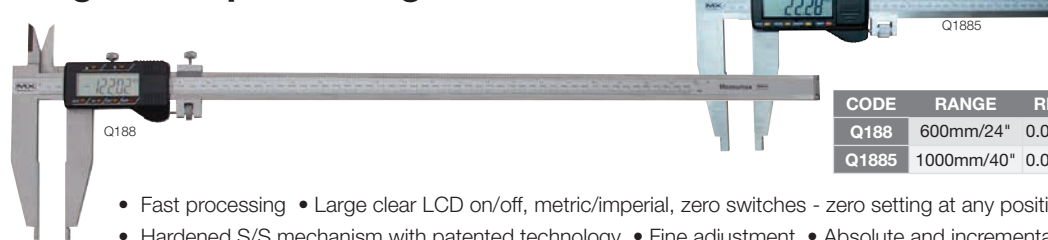
Dial Calipers



- Tinite coated slides
- Easy zero adjustment
- Clear graduations
- Made of stainless steel
- Four way measurement

CODE	RANGE	ex GST	inc GST
Q190	0-6"	\$99	\$108.90
Q191	0-150	\$99	\$108.90
Q192	0-200	\$132	\$145.20

Digital Calipers - Large

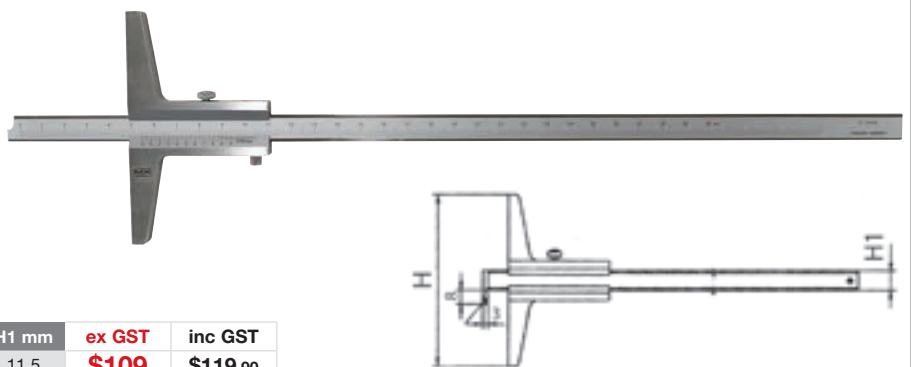


- Fast processing
- Large clear LCD on/off, metric/imperial, zero switches - zero setting at any position
- Hardened S/S mechanism with patented technology
- Fine adjustment
- Absolute and incremental settings

CODE	RANGE	RESOLUTION	TYPE	ex GST	inc GST
Q188	600mm/24"	0.01mm/0.0005"	4 Way	\$490	\$539
Q1885	1000mm/40"	0.01mm/0.0005"	2 Way	\$650	\$715

Vernier Depth Gauge

- Internal & external depth measurement
- With screw at the back of the far end of the caliper bar
- Mono block stainless steel construction
- Clear laser engraved graduations
- Supplied in plastic case
- ±0.06mm accuracy
- Manufactured to ISO 10012:2003



CODE	RANGE	TYPE	GRADUATIONS	H mm	H1 mm	ex GST	inc GST
Q2365	0-300mm	Plain	0.05mm	102	11.5	\$109	\$119.90