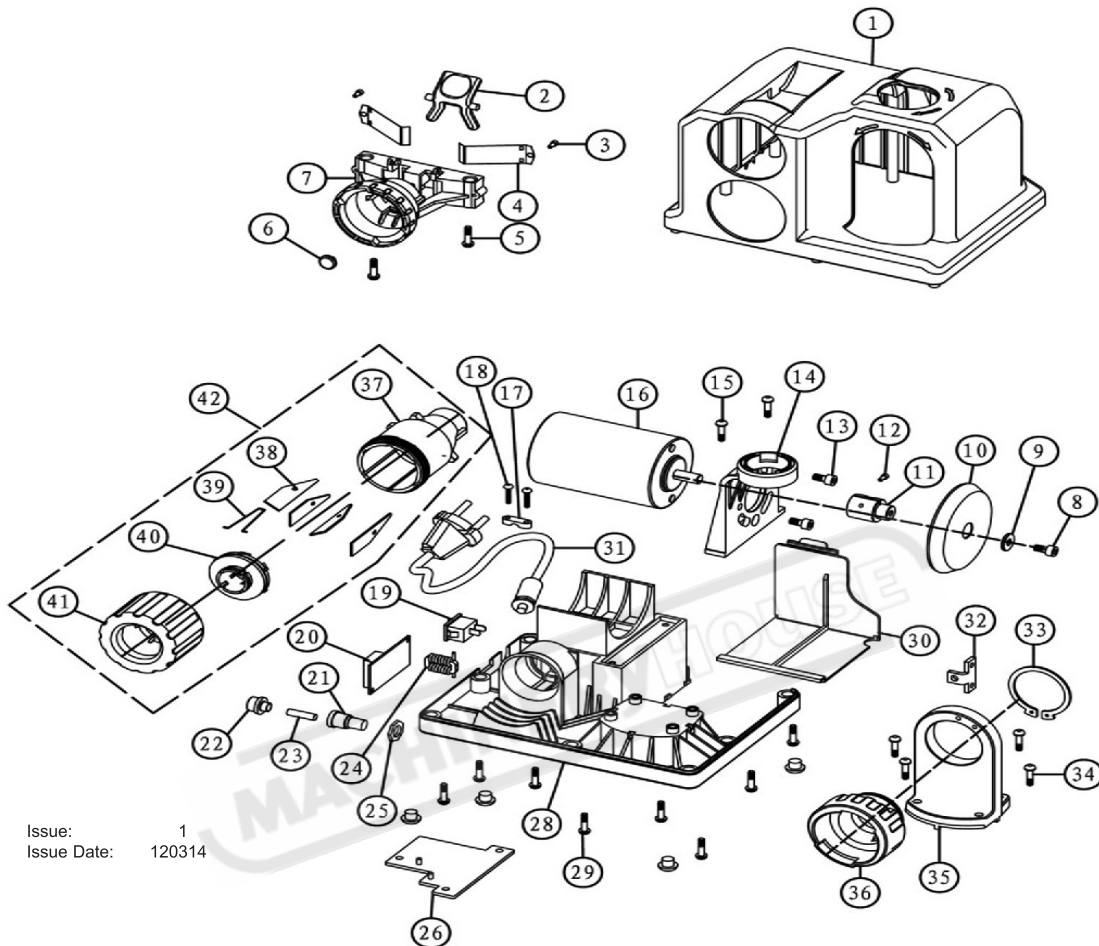


# HAFCO

## SPARE PARTS LIST



Issue: 1  
Issue Date: 120314

ITEM	PART NO	DESCRIPTION	ITEM	PART NO	DESCRIPTION
1	SMS2008.01	TOP HOUSING	22	SMS2008.22	NUT FOR FUSE
2	SMS2008.02	BUTTON	23	SMS2008.23	FUSE
3	SMS2008.03	SCREW	24	SMS2008.24	INDUCTANCE
4	SMS2008.04	SPRING PLATE	25	SMS2008.25	LOCKNUT
5	SMS2008.05	SCREW	26	SMS2008.26	COVER
6	SMS2008.06	TERMINAL	27	SMS2008.27	CUSHION
7	SMS2008.07	FIXING SHELF	28	SMS2008.28	BASE
8	SMS2008.08	SCREW	29	SMS2008.29	SCREW
9	SMS2008.09	WASHER	30	SMS2008.30	DUST CAP
10	SMS2008.10	GRINDING WHEEL	31	SMS2008.31	POWER CORD
11	SMS2008.11	CONNECTOR	32	SMS2008.32	CONNECTOR BOARD
12	SMS2008.12	SCREW	33	SMS2008.33	CLAMP SPRING
13	SMS2008.13	SCREW	34	SMS2008.34	SCREW
14	SMS2008.14	POSITIONER	35	SMS2008.35	BRACKET
15	SMS2008.15	SCREW	36	SMS2008.36	STAND SUPPORT
16	SMS2008.16	MOTOR	37	SMS2008.37	POSITIONER FOR BLADE
17	SMS2008.17	WIRE RETAINER	38	SMS2008.38	BLADE HOLDER
18	SMS2008.18	SCREW	39	SMS2008.39	STEEL SPRING
19	SMS2008.19	SWITCH	40	SMS2008.40	TRANSITION TUBE
20	SMS2008.20	PCB	41	SMS2008.41	LOCKNUT
21	SMS2008.21	FUSE BLOCK	42	SMS2008.42	HOLD ACCESSORY (inc 35,36,37,38,39)