



Z30⁴⁰₅₀ × ¹²₁₆ (I)(II) RADIAL DRILLING MACHINE

SPARE PARTS LIST

MAXIMUM DRILLING DIAMETER: 40 mm
50

Serial No:

SHENYANG MACHINE TOOL CO.,LTD.
CHINA CZECHOSLOVAKIA BORING AND DRILLING
MACHINES WORKS
THE PEOPLE'S REPUBLIC OF CHINA

This List serves the users as a reference for ordering spare parts required. In order to make a right supply, please state the names of the parts parts numbers, manufacturing works and model of the

machine, date and serial number of ex - works according to this List when ordering parts.

CONTENTS

1. List of Spare Parts	1 - 5
2. Drawings of the Locations of Spare Parts	6
(1) Locations of Spare Parts for Spindle Speed Change Mechanism	7
(2) Locations of Spare Parts for Feed Change Mechanism	
(3) Locations of Spare Parts for Feeding Mechanism	8 - 9
(4) Locations of Spare Parts for Feed Change Oil Pump	10
(5) Locations of Spare Parts for Spindle Head Clamping Mechanism	11
(6) Locations of Spare Parts for Column Unit	12
(7) Locations of Spare Parts for Clamping Oil Pump	13
(8) Locations of Spare Parts for Spindle & Balancing Mechanism	14

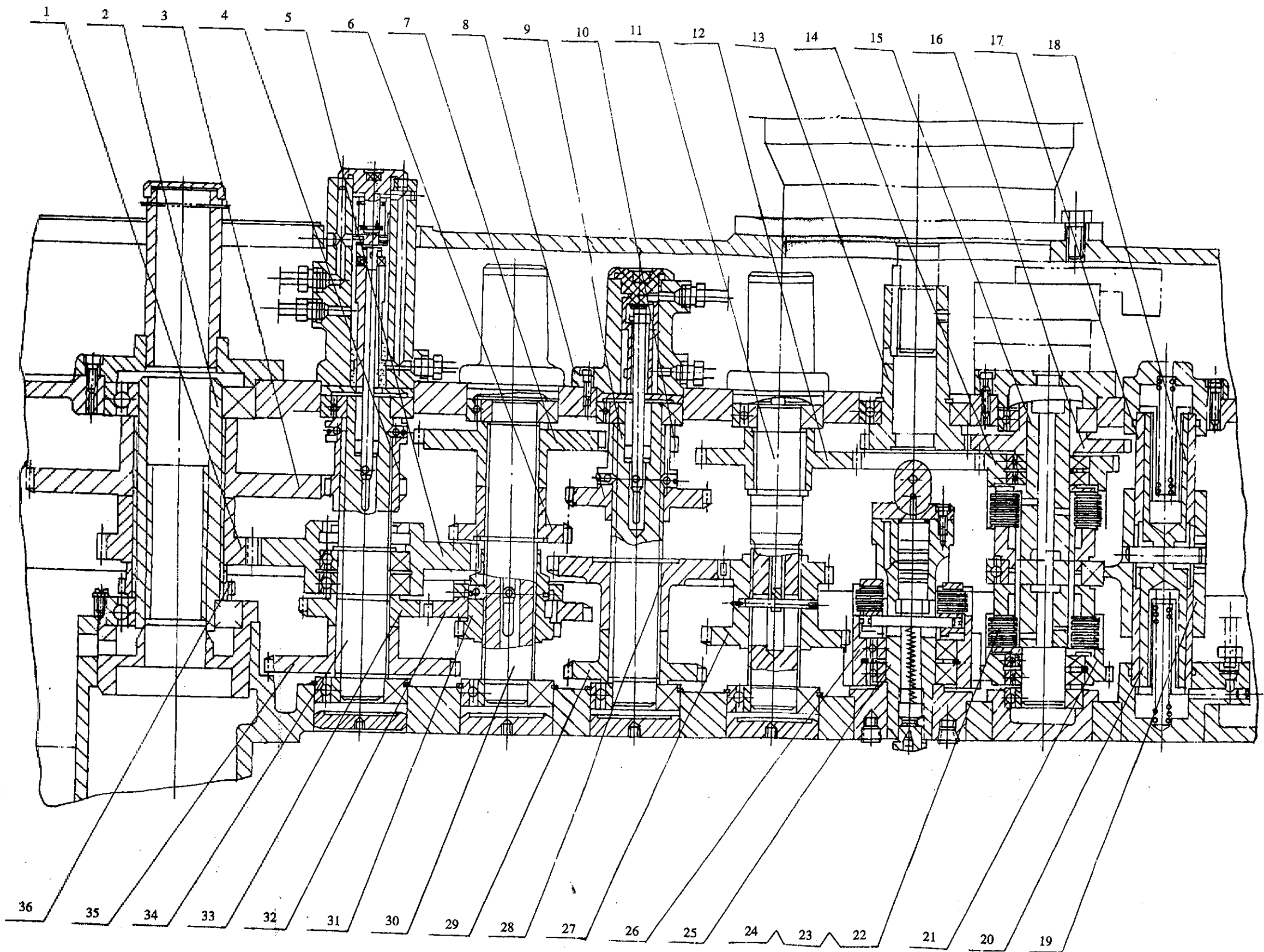
SerialNo.	Part No. or Specification Type No.	Name of Parts	Pcs. Per set	Remarks
1	41330AS	Gear	1	
2	41021	Spline sleeve	1	
3	41331	Gear	1	
4	41333	Gear	1	
5	41327AS	Gear	1	
6	41340	Gear	1	
7	41341	Gear	1	
8	35;SZSQ84 - 1	Stopper ring	4	
9	41318	Shaft IV	1	
10	41319	Double cluster gear	1	
11	41315	Shaft III	1	
12	41344	Gear	1	41344GB for 60Hz
13	41345	Gear	1	41345GB for 60Hz
14	41347	Gear	1	41347GB for 60Hz
15	41304	Shaft II	1	
16	41348	Gear	1	41348GB for 60Hz
17	41302	Shifting fork bearing sleeve	1	
18	41301	Valve core	1	
19	41032	Shifting fork	1	
20	41303	Valve core	1	
21	41307	Gear	1	
22	80 SZSC31 - 1	Outer friction disc	13 (14)	Z3050 × $\frac{12}{16}$ (I)(II) () is used for Z3050 × $\frac{12}{16}$ (I)(II)
23	70 SZSC31 - 2	Inner friction disc	28 (29)	
24	80 SZSC31 - 3	Outer friction disc	12	
25	41309	Shaft I	1	
26	41311	Gear	1	
27	41313	Double cluster gear	1	
28	41316	Gear	1	
29	41317	Gear	1	
30	41323	Shaft V	1	
31	41321S	Gear	1	
32	41320	Gear	1	
33	41325	Gear	1	

34	41326	Shaft VI	1	
35	41324S	Gear	1	
36	41329	Gear	1	
37	42308	Shaft	1	
38	42304	Gear	1	
39	42303	Gear	1	
40	42301	Gear	1	
41	42321	Gear	1	
42	42302	Gear	1	
43	42322	Gear	1	
44	42325	Gear	1	
45	42323	Shaft	1	
46	42320	Gear	1	
47	25; SZSQ84 - 1	Stopper ring	4	
48	42315	Gear	1	
49	42316	Shaft	1	
50	42313	Shaft	1	
51	42314	Gear	1	
52	42311	Shaft	1	
53	42309	Gear	1	
54	42305	Gear	1	
55	42306	Gear	1	
56	43314	(Upper)clutch	1	
57	43317	Shaft	1	
58	43311	(Lower)clutch	1	
59	43308	Worm shaft	1	
60	43325	Gear	1	
61	43326	Gear	1	
62	43332	Horizontal shaft	1	
63	43020	Worm wheel	1	

64	43338	Clutch	1	
65	43339	Teeth clutch	1	
66	44017	Upper part of pump body		"44" pump is to be supplied in complete set.
	44018	Pump body	1	
	44019	Lower part of pump body	1	
	44310	Sleeve	2	
	44311	Driven gear	1	
	44312	Drive gear	1	
	44314	Valve core	1	
	44315	Screw plug	1	
	44801	Shaft sleeve	3	
	44802	Shaft sleeve	1	
	M6 x 35 J21 - 9	Screw	2	
	8 x 45 J44 - 1	Cylindrical pin	2	
	M14 x 1.5 G38 - 4	Hexagonal socket head oil plug	1	
	14 SZSG52 - 3	Scaling washer	1	
	6 Q56 - 1	Plug	1	
2 x 12 x 60 Q81 - 1	Spring	1		
67	48 SZSQ32 - 1	Rhombic block	1 set	
68	120 SZSQ32 - 1	Rhombic block	1 set	
69	47315	Gear	1	
70	47023	Shaft sleeve	1	Safety clutches for elevatim are to be supplied in complete set
	47307	Small clutch	1	
	47309	Gear clutch	1	
	47314	Gear	1	
	47324	Washer	1	
	6 x 6 x 20 J31 - 1	Flat key	1	
	4 x 35 J41 - 1	Round taper pin	1	
	4 J51 - 1	Finishing	20	
1.6 x 10 x 35 Q81 - 1	Pressure spring	10		
7/16" GB308 - 77	Steel ball	10		

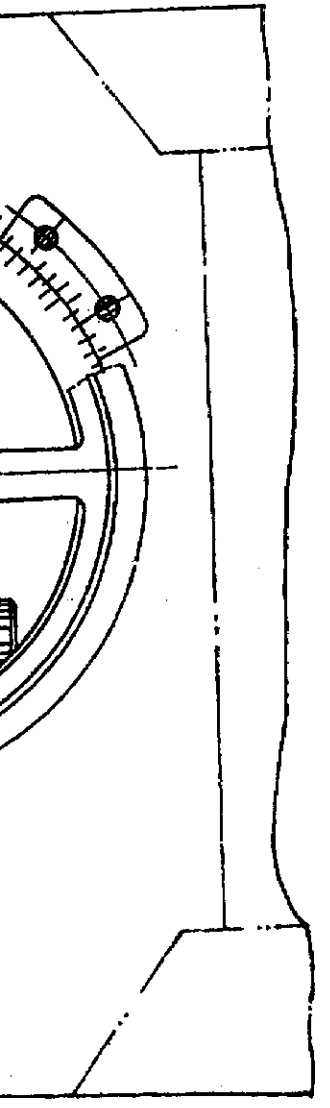
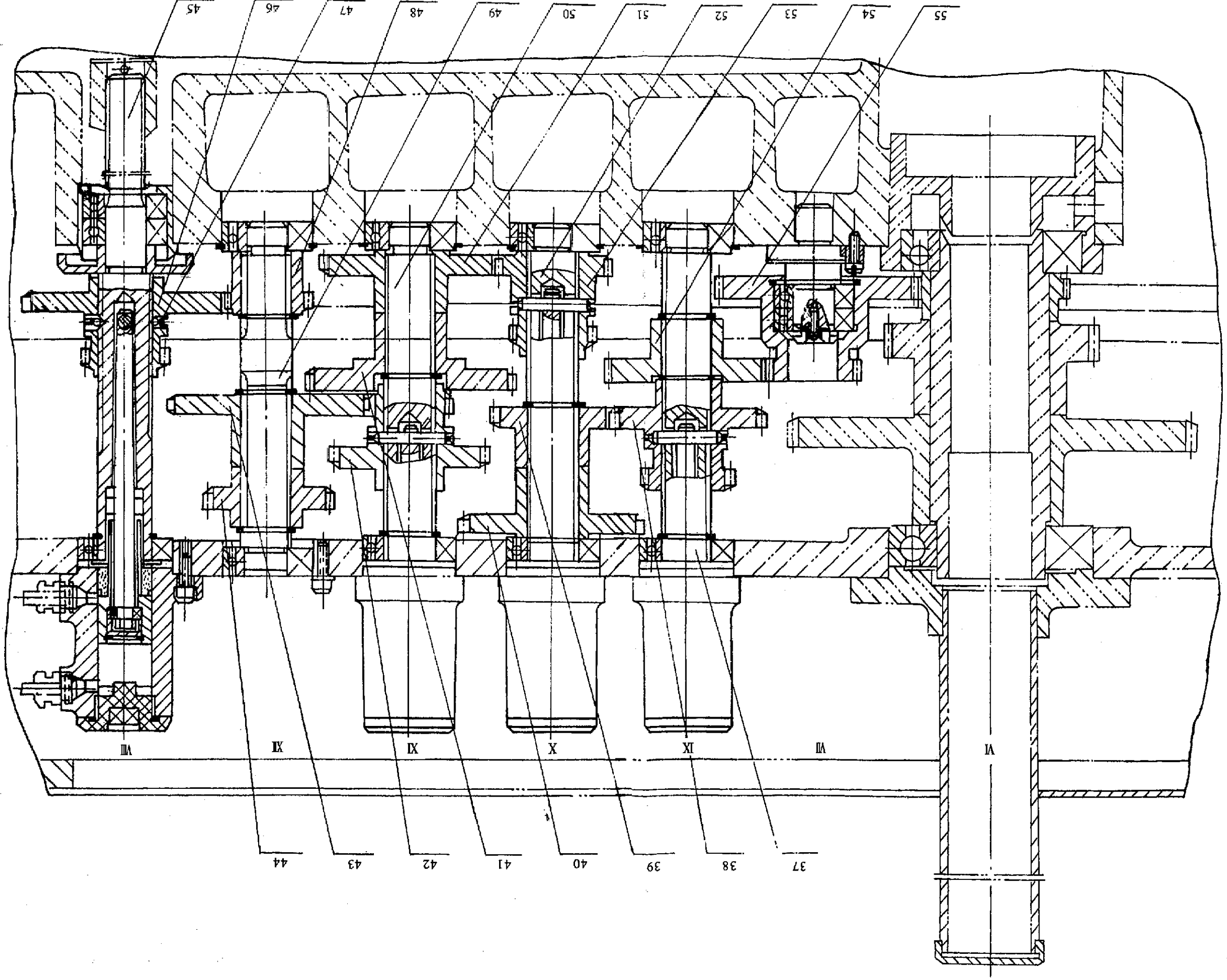
71	47388A	Gear	1		
72	47317	Lead screw	1		
73	48013	Safety nut	1		
74	48311	Elevating nut	1		
75	48301 48320A	Rack	3	48320A used Z30 ⁴⁰ / ₅₀ × 12 (I) (II)	
76	120 SZSQ32 - 1	Rhombic block	1 set		
77	45018	Cover plate for oil pump	1	The "45" pump is to be supplied in complete set	
	45019	Ditto	1		
	45020	Ditto	1		
	45021	Ditto	1		
	45327	Drive gear	1		
	45328	Driven gear	1		
	45314	Sleeve	1		
	45317	Centering sleeve	1		
	45904	Seal ring	1		
	8 J54 - 1	Spring washer	2		
	8 × 40 J44 - 1	Cylindrical pin	2		
	35 × 3.1 J51 - 2	O-ring	1		
	M8 × 45 J21 - 2	Screw	2		
1.5 × 20 × 12 941/15	Needle bearing	2			
79	46309	Spring	1		
80	46316	Cam	1		
81	46011	Guiding sleeve	1	The spindle component is to be supplied in complete set Used for (40)(I) and 50(I)	
	46302	Washer	2		
	46304	Quill	1		
	46305	Cover	1		
	46306	Guard washer	1		
	46307	Locking nut	2		
	40 × 68 × 15 D108	Single - row radial ball bearing	3		
	40 × 16 × 13 D8108	Single - row thrust ball bearing	2		
	46301	Spindle	1		Used for 40 (I)

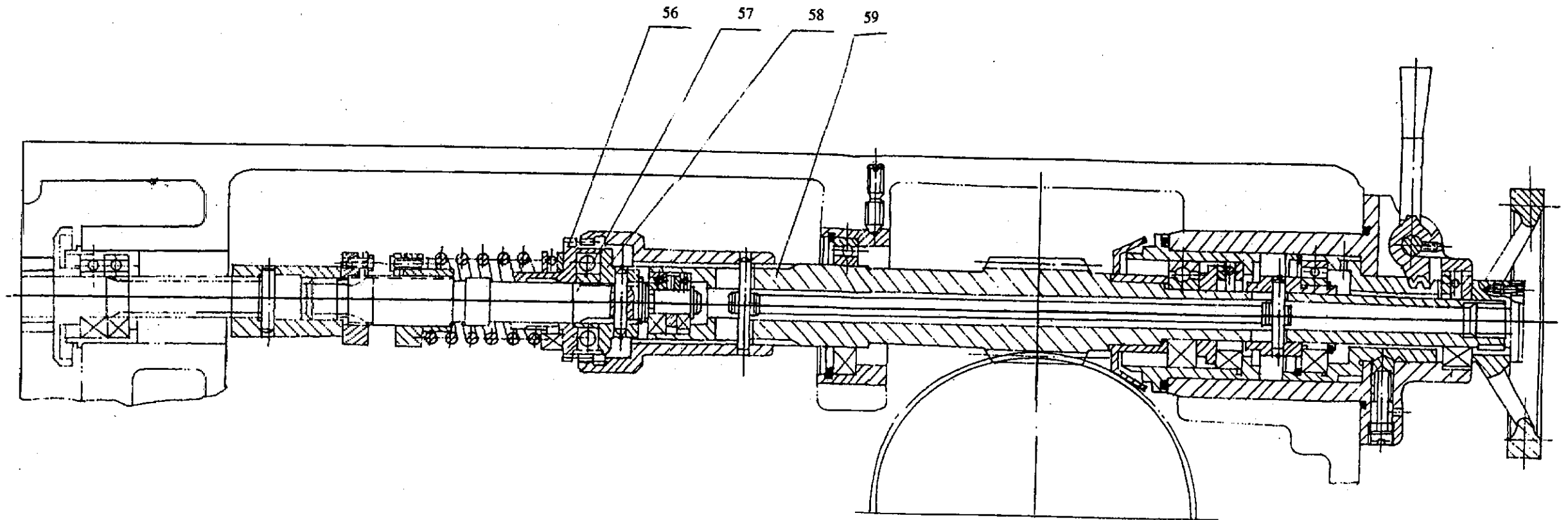
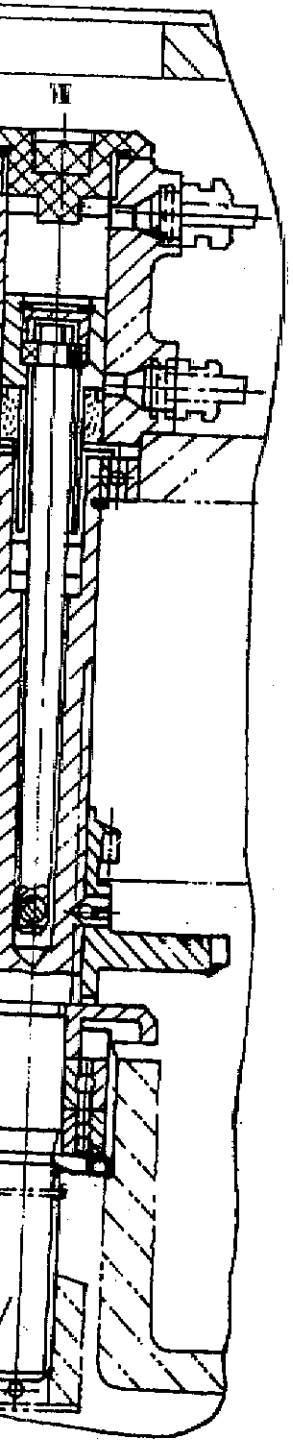
81	56301	Spindle	1	Used for 50 (I)
	46301B	Spindle	1	Used for 40 (II)
	56304B	Quill	1	Used for 40 (II) and 50 (II)
	60 × 85 × 17 D8112	Single - row thrust ball bearing	1	
	56301B	Spindle	1	Used for 50 (II)
82	7 × 1.9 G51 - 2	O-ring	1	
	9 × 1.9 G51 - 2	O-ring	46	
	11 × 1.9 G51 - 2	O-ring	14	
	13 × 1.9 G51 - 2	O-ring	5	
	20 × 2.4 G51 - 2	O-ring	4	
	25 × 2.4 G51 - 2	O-ring	2	
	30 × 3.1 G51 - 2	O-ring	2	
	35 × 3.1 G51 - 2	O-ring	9	
	35 × 3.5 G51 - 2	O-ring	1	
	45 × 3.1 G51 - 2	O-ring	2	
	55 × 3.1 G51 - 2	O-ring	1	
	60 × 5.7 G51 - 2	O-ring	1	
	65 × 3.1 G51 - 2	O-ring	1	
	75 × 3.1 G51 - 2	O-ring	1	
	80 × 5.7 G51 - 2	O-ring	1	
	85 × 3.1 G51 - 2	O-ring	1	
	95 × 3.1 G51 - 2	O-ring	4	
	140 × 5.7 G51 - 2	O-ring	1	
	210 × 5.7 G51 - 2	O-ring	1	



Locations of Spare parts. for Spindle Speed Change Mecnanism

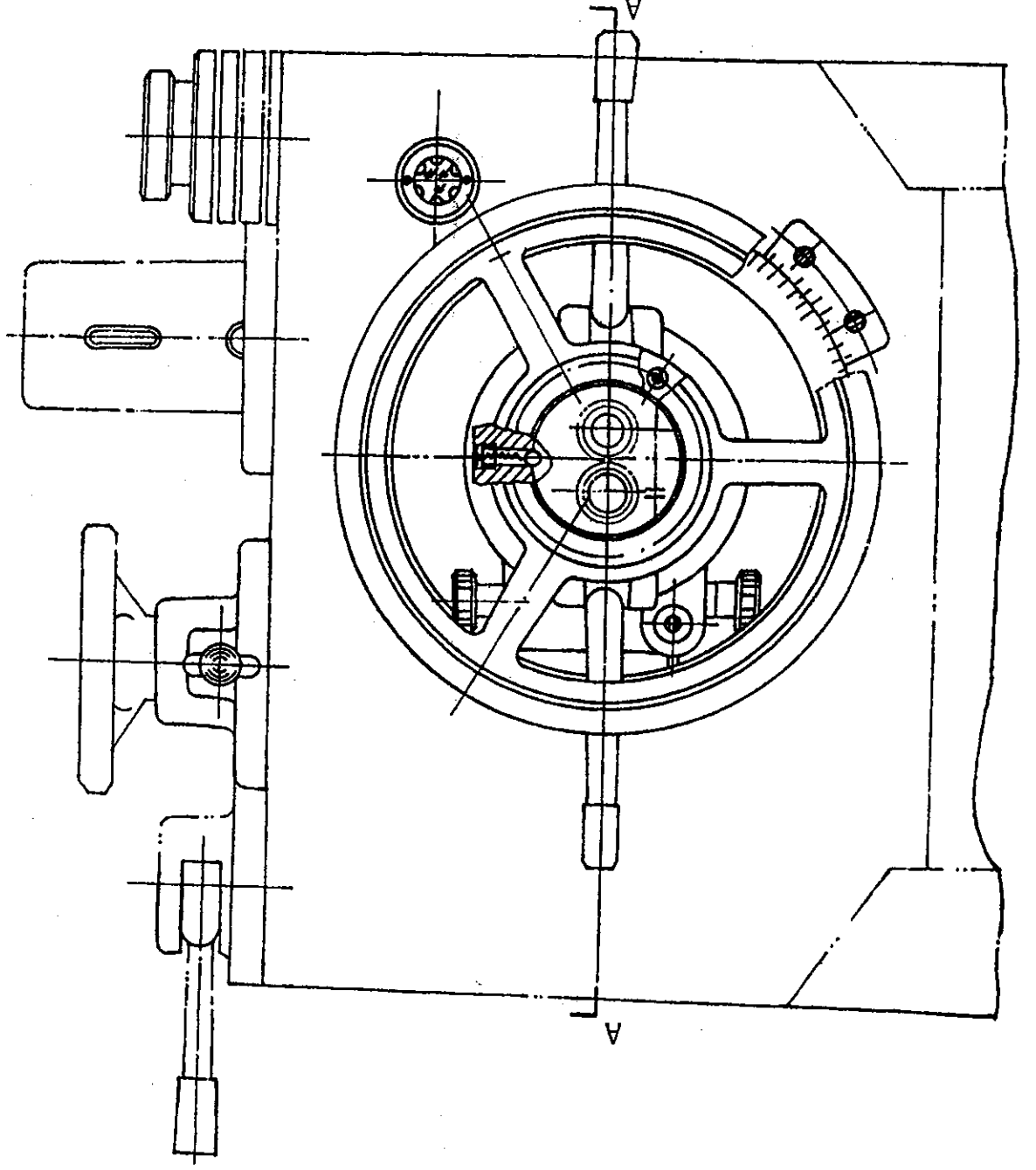
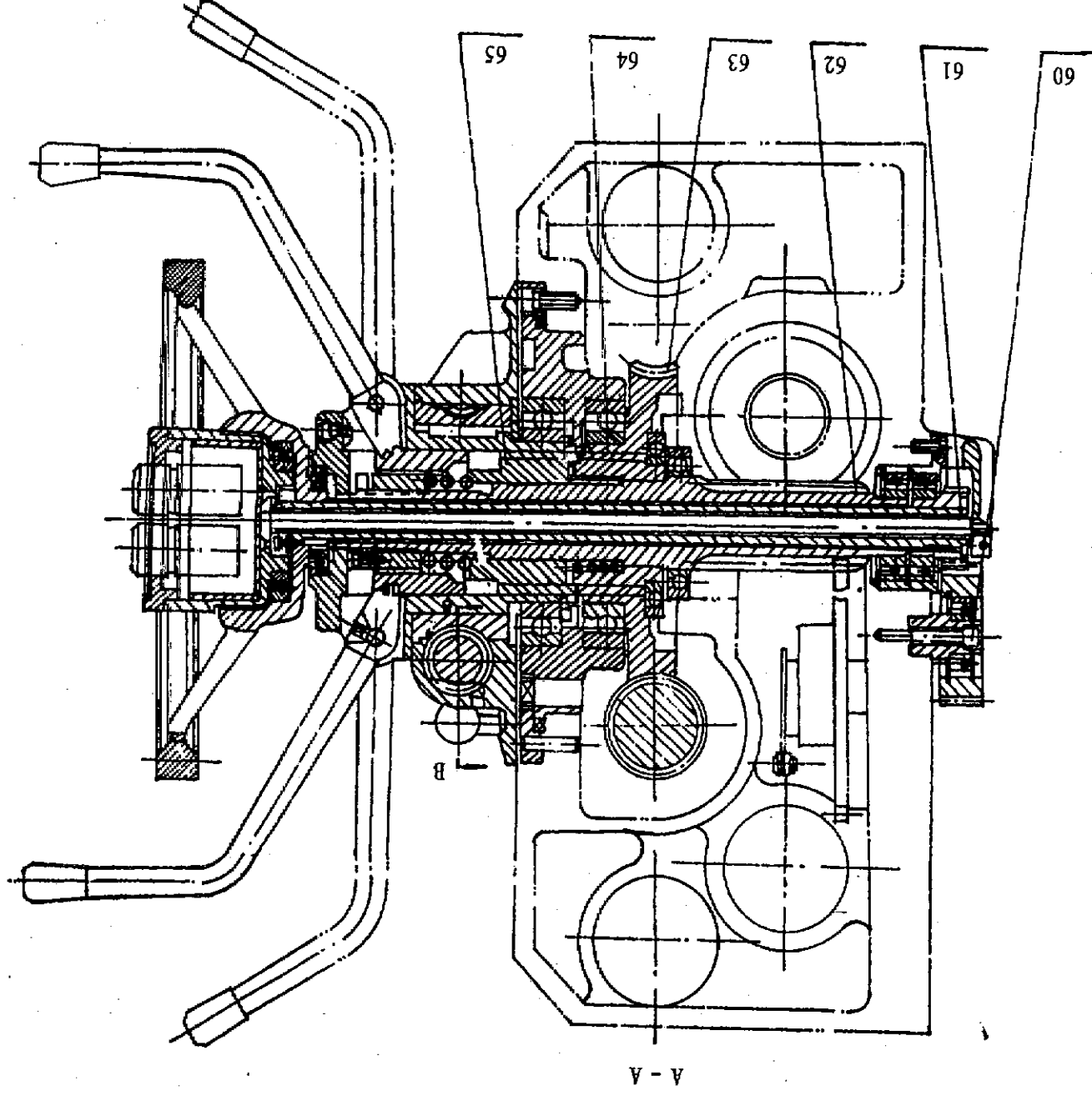
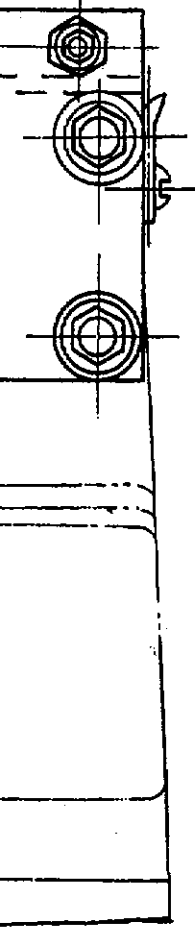
Locations of Spare parts for Feed Change Mechanism

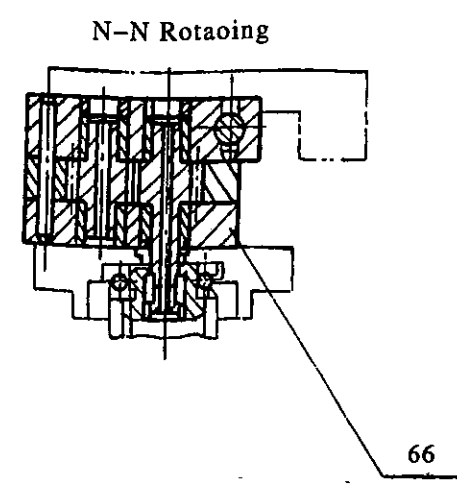
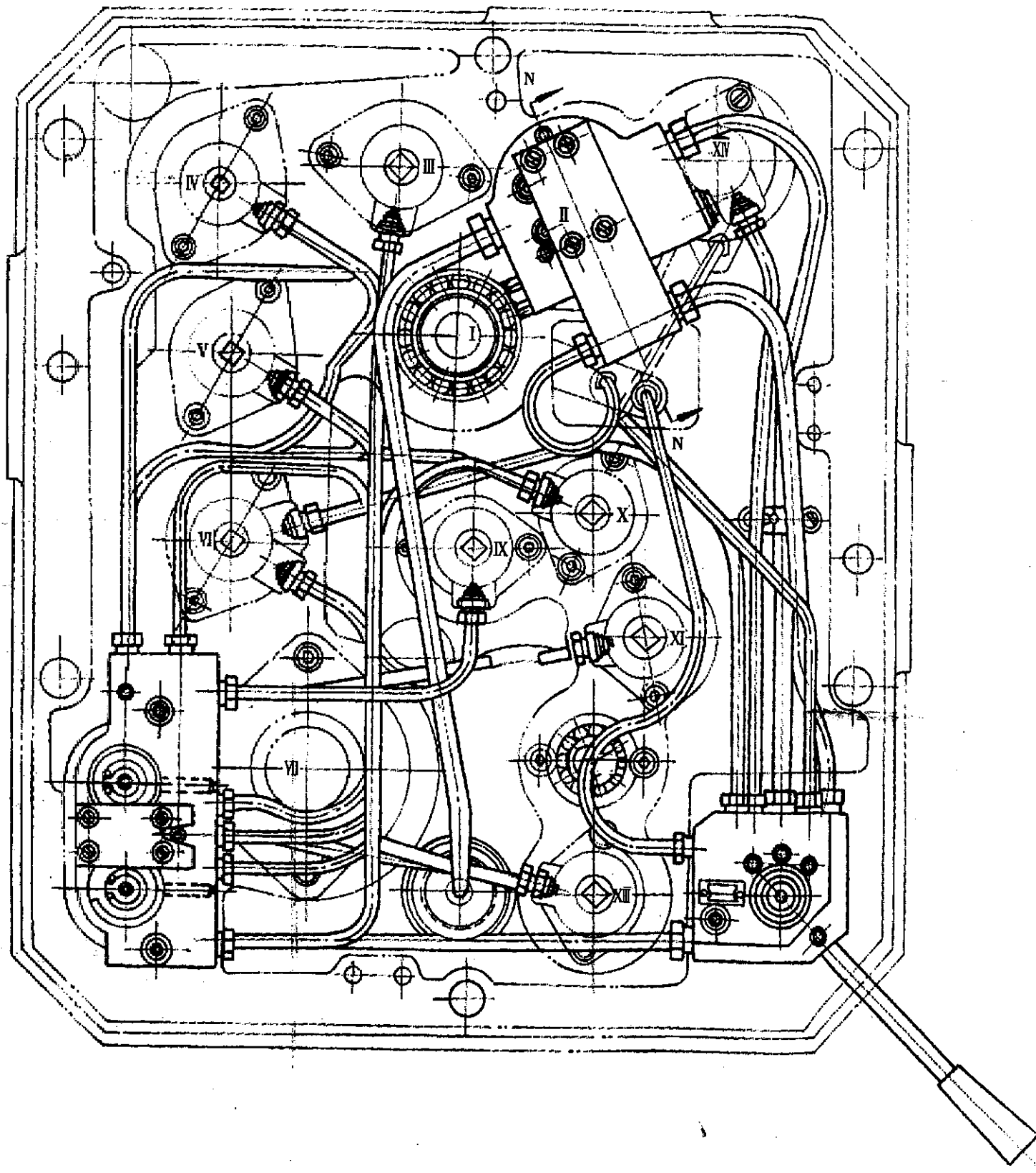
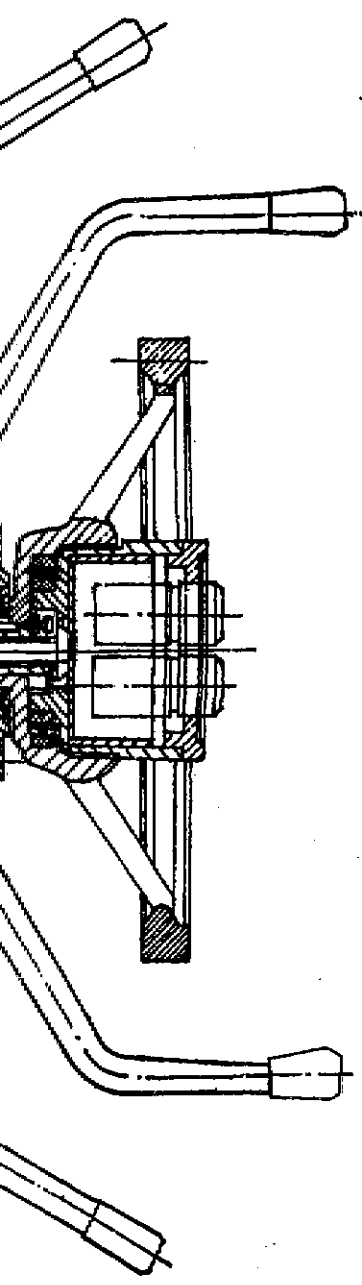




Locations of Spare Parts for Feeding Mechaniam

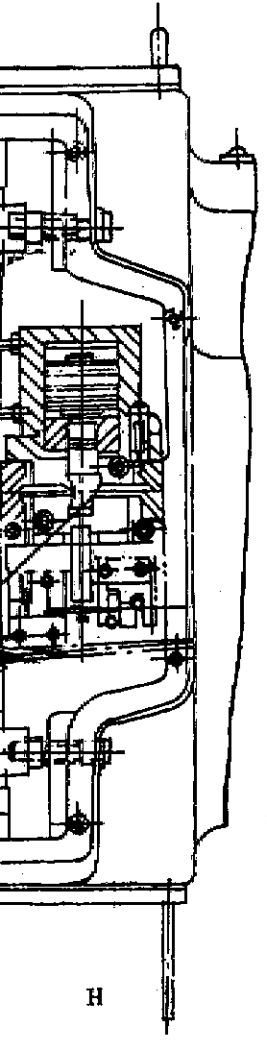
Locations of Spare Parts for Feeding Mechanism



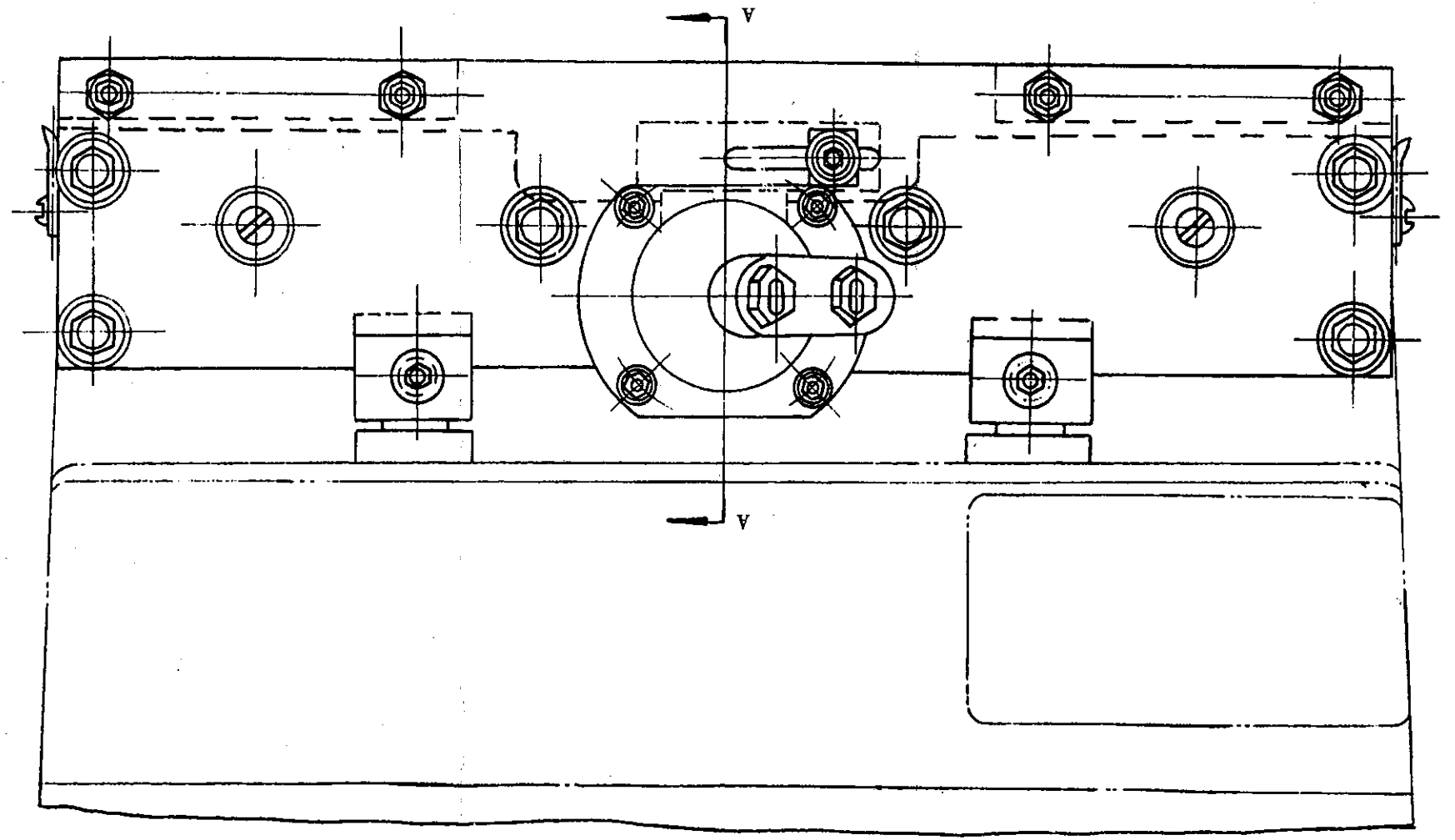
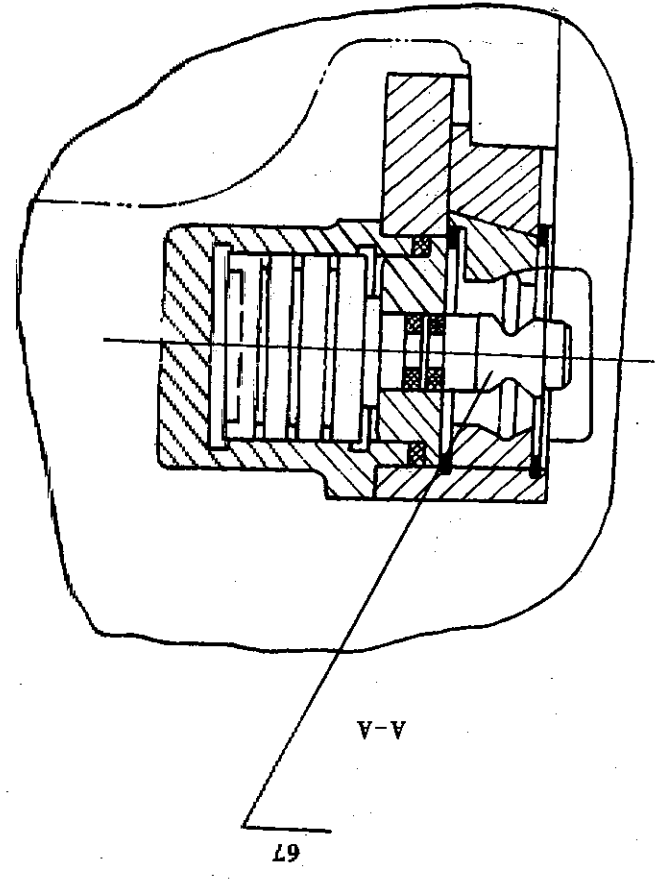


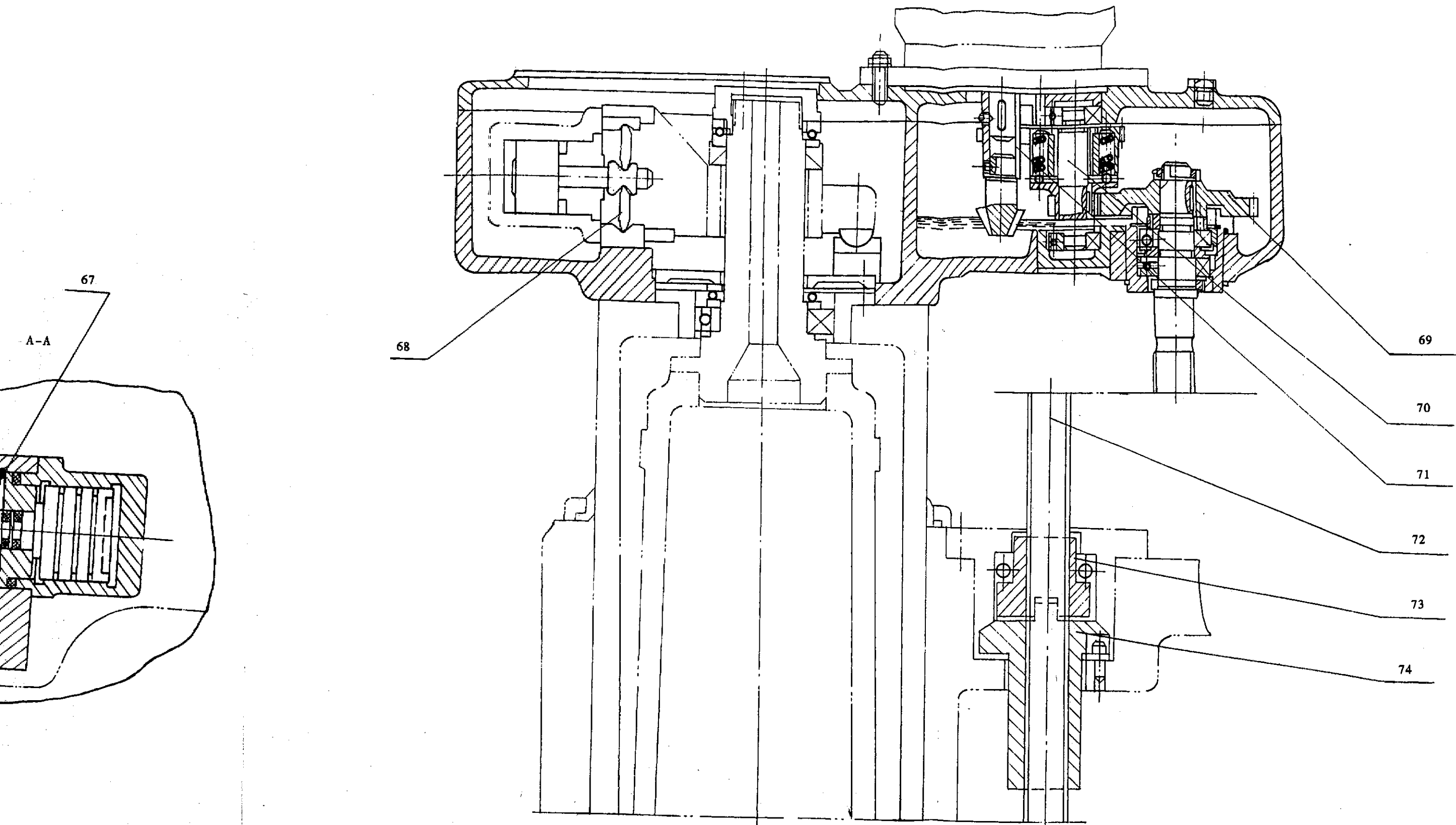
Locations fo Spare Parca for Speed Change oil pump

Locations of Spare Parts for Spindle Head Clamping Mechanism

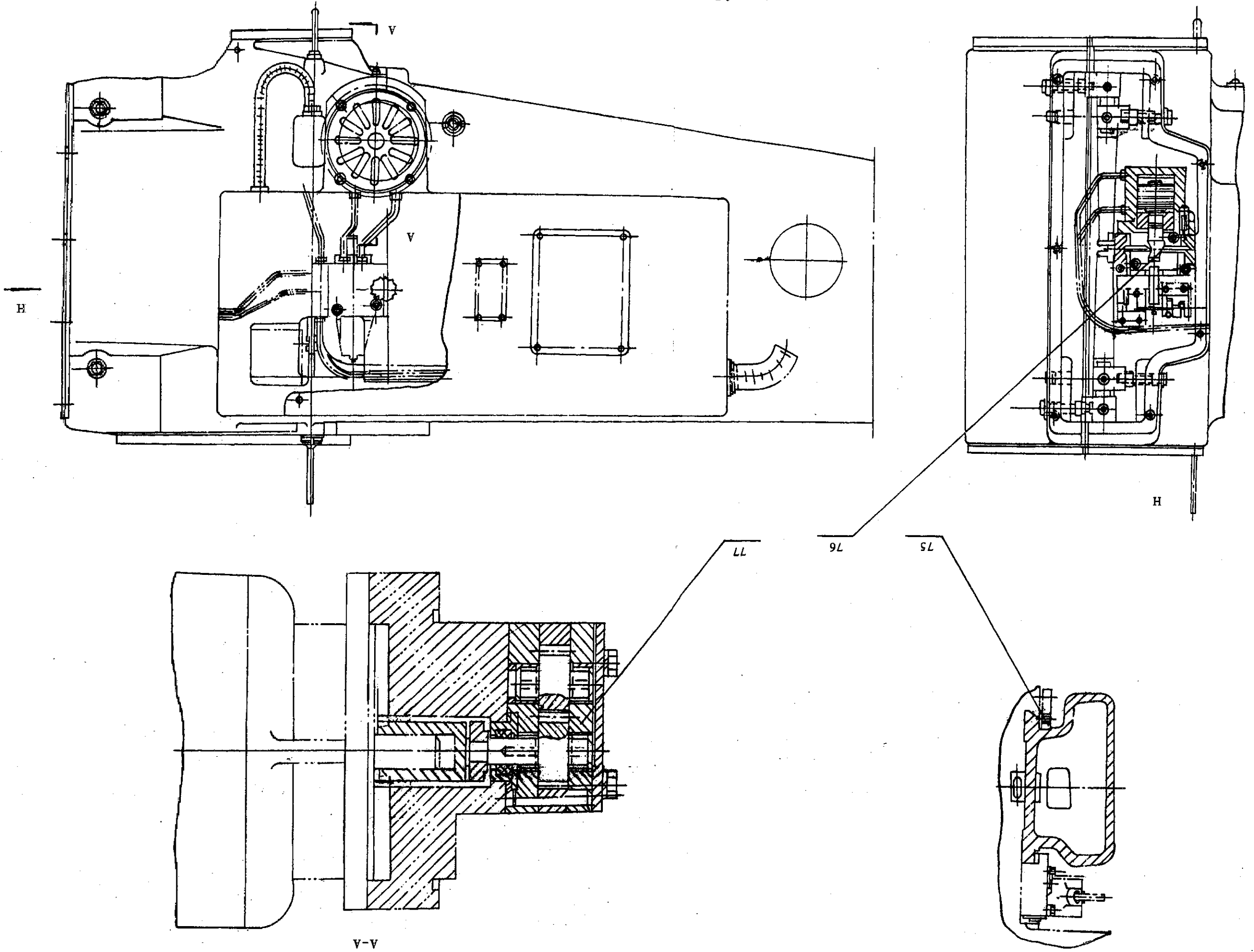


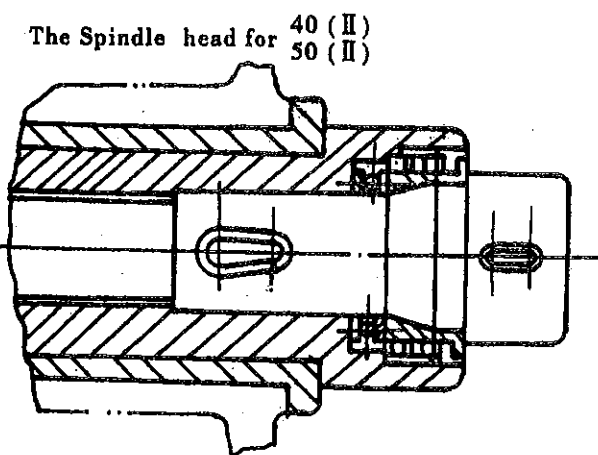
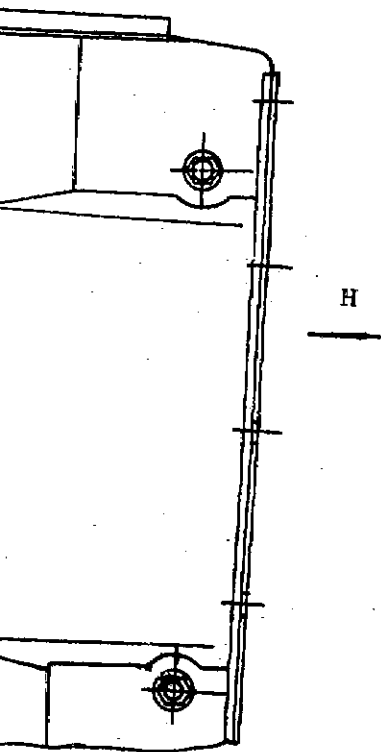
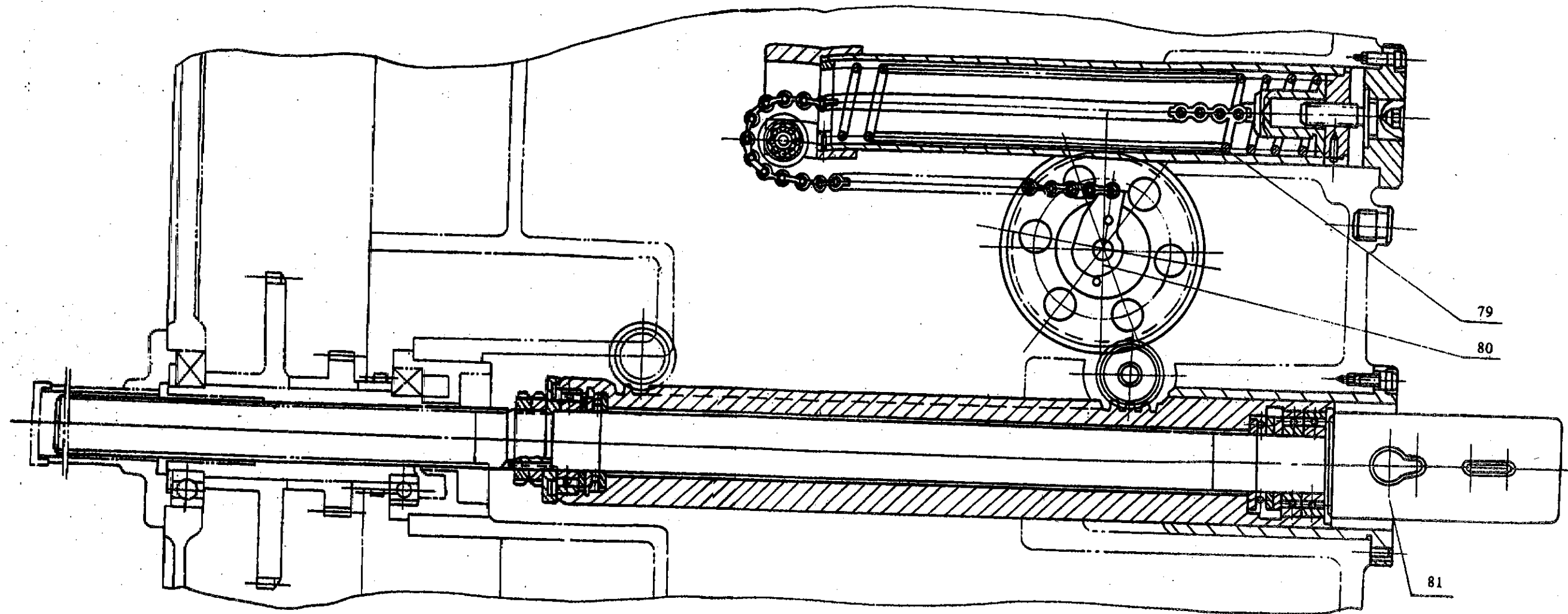
H





Locations of Spare Parts for Column Unit





Locations of Spare parts for Spindle & Balancing Mechanism