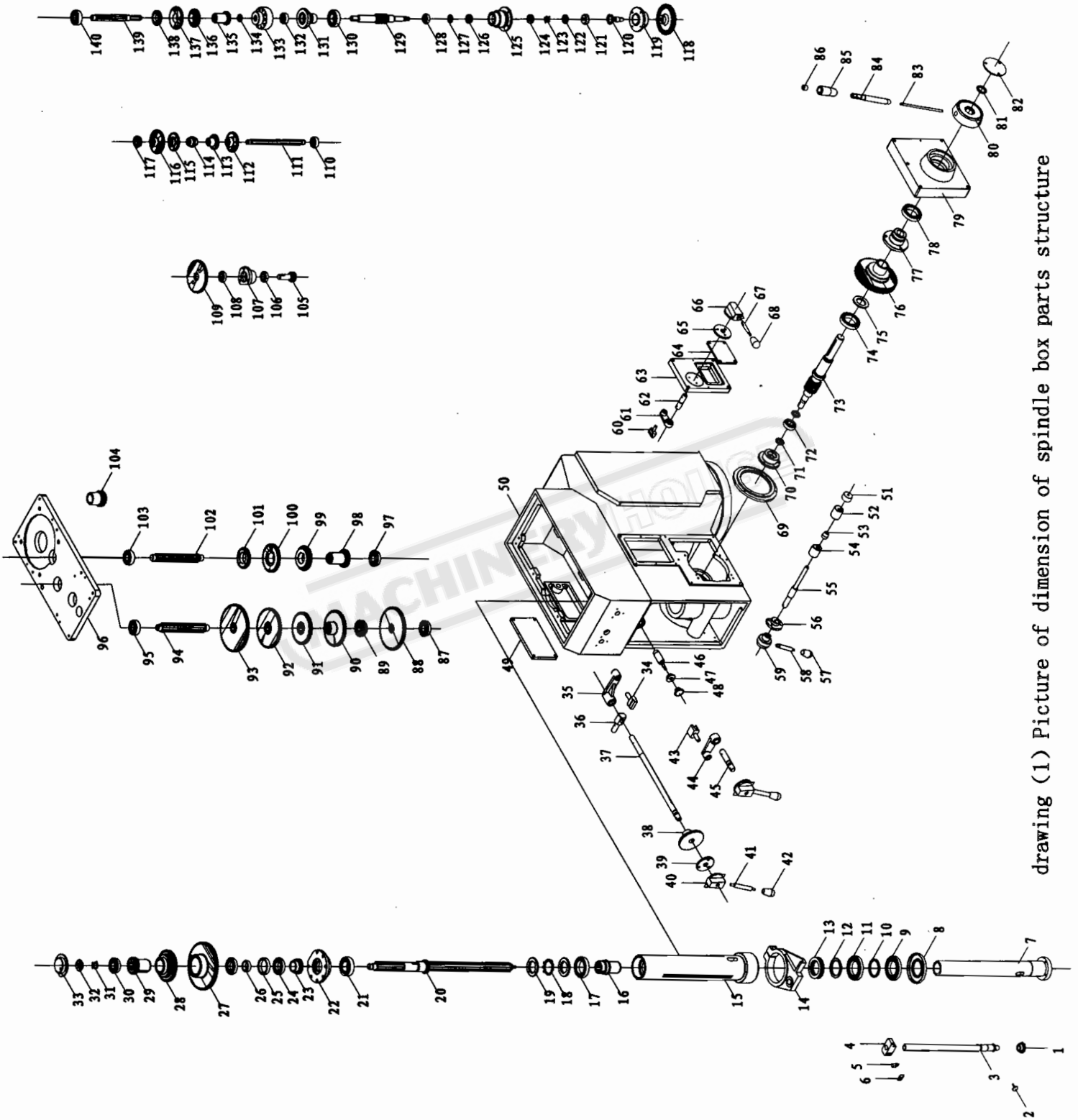


Ancillary Page Of Operation Manual



drawing (1) Picture of dimension of spindle box parts structure

Ancillary page of Operation Manual			page 2	
<b>Contrast for the parts number of GHD-50 spindle box and its three dimensions sketch.</b>				
<b>No.</b>	<b>Parts number</b>	<b>Name of the parts</b>	<b>Q'ty</b>	<b>Remarks</b>
1	32004/ZY5050	Knurled knob	1	
2	32005/ZY5050	Knurled screw bolt	1	
3	32004/ZY5050A	Scaled screw	1	
4	31003/ZY5050A	Scaled nut	1	
5	32004/ZS5030	Support for the vernier	1	
6	35001/ZS5030	Scaled indicator sheet	1	
7	32035/ZY5050	Main spindle	1	
8	32003/ZY5050	Bearing cover	1	
9	D7000110; GB276	Bearing	1	
10	32001/ZY5050	Washer	1	
11	D7000110; GB276	Bearing	1	
12	32002/ZY5050	Washer	1	
13	8110; GB301	Bearing	1	
14	31002/ZY5050	Scale clamper	1	
15	32036/ZY5050	Spindle quill	1	
16	32006/ZY5050	Spline quill	1	
17	D000909; GB276	Bearing	1	
18	32029/ZY5050	Washer	1	
19	32007/ZY5050	Round nut	2	
20	32037/ZY5050	Transmission shaft	1	
21	2007107E; GB297	Bearing	1	
22	32008/ZY5050	Bearing cover	1	
23	32048/ZY5050	Feed gear	1	
24	7000106;GB276	Bearing	2	
25	32051/ZY5050	Bushing	1	
26	32050/ZY5050	Bearing	1	
27	32049/ZY5050	Gear	1	
28	32009/ZY5050	Gear	1	
29	32010/ZY5050	Gear	1	
30	50204; GB277	Bearing	1	
31	18; GB858	Washer	1	
32	32011/ZY5050	Round nut	1	
33	32012/ZY5050	Cover	1	
34	34011/ZY5050	Lever block	1	
35	31014/ZY5050	Fork lever	1	
36	32086/ZY5050	Support for block	1	

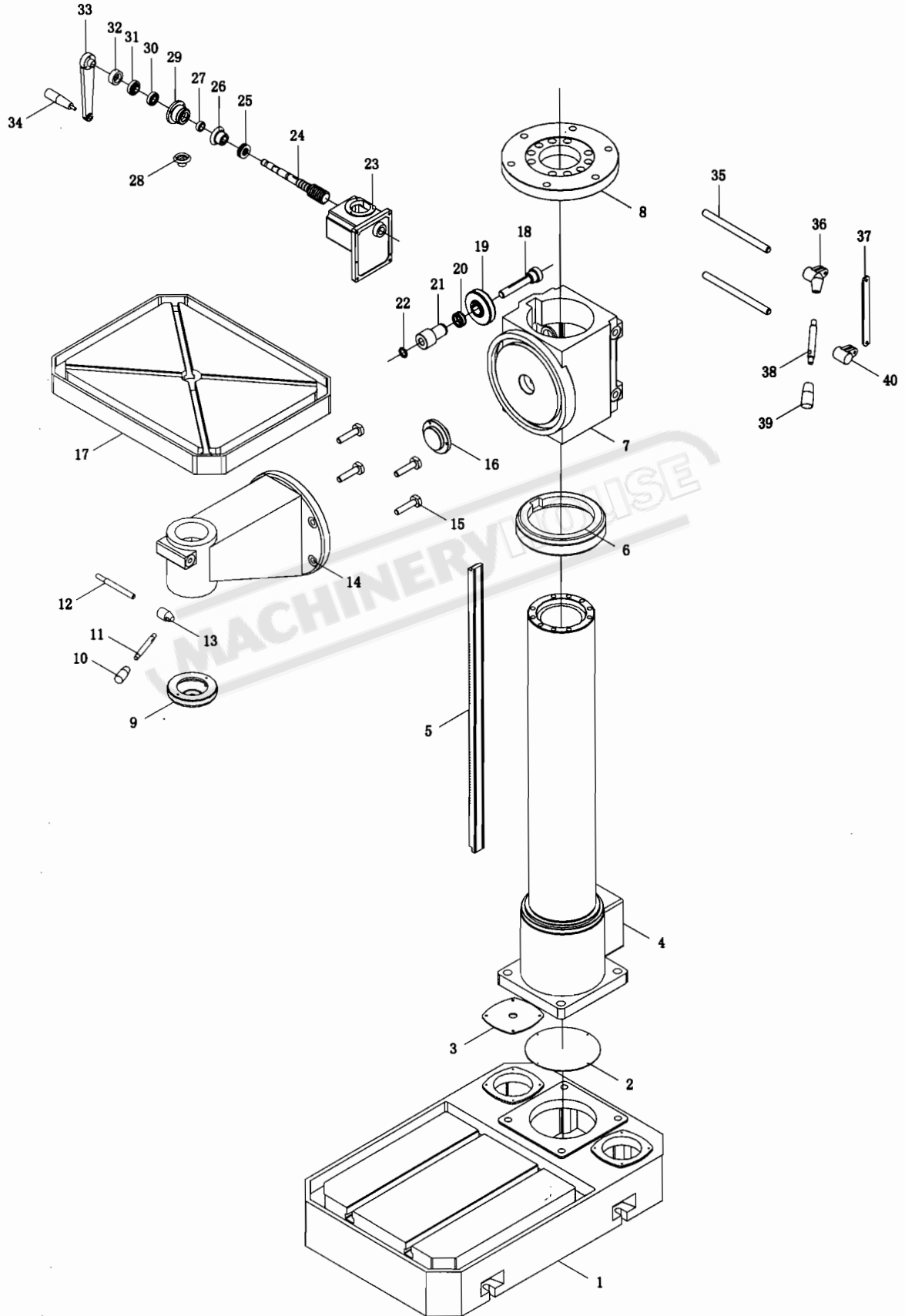
Ancillary page of Operation Manual			page 3	
<b>Contrast for the parts number of GHD-50 spindle box and its three dimensions sketch.</b>				
<b>No.</b>	<b>Parts number</b>	<b>Name of the parts</b>	<b>Q'ty</b>	<b>Remarks</b>
37	32087/ZY5050	Lever shaft	1	
38	32088/ZY5050	Positioning twist	1	
39	32028/ZS5030	Washer	2	
40	32031/ZS5030	Handle seat	2	
41	32032/ZS5030	Handle	2	
42	1.222/40-M8/21101	Oval knob	2	
43	34010/ZY5050	Lever block	1	
44	31013/ZY5050	Fork lever	1	
45	32090/ZY5050	Lever shaft	1	
46	32047/ZY5050	Positioning shaft	1	
47	32045/ZS5030	Bushing	1	
48	BM8×32; GB4141.27	Knurled handle	1	
49	31012/ZY5050	Cover	1	
50	31001/ZY5050	Spindle box	1	
51	32085/ZY5050	Stop ring	1	
52	32070/ZY5050	Lock sleeve(II)	1	
53	32071/ZY5050	Sleeve	1	
54	32072/ZY5050	Lock sleeve(I)	1	
55	32073/ZY5050	Locked screw	1	
56	32077/ZY5050	Eccentric cover	1	
57	1.222/30-M8/21001	Oval knob	1	
58	32075/ZY5050	Handle	1	
59	32076/ZY5050	Handle seat	1	
60	34019/ZY5050	Lever block	1	
61	31015/ZY5050	Fork lever	1	
62	32094/ZY5050	Small shaft	1	
63	31016/ZY5050	Side cover	1	
64	31006/ZY5050	Cover	1	
65	32095/ZY5050	Positioning board	1	
66	32093/ZY5050	Handle seat	1	
67	32038/ZS5030A	Handle lever	1	
68	1.222/30-M8/21001	Oval knob	1	
69	31008/ZY5050	Cover	1	
70	32027/ZS5030	Bearing cover	1	
71	32024/ZS5030	Washer	2	
72	104;GB276	Bearing	1	

Ancillary page of Operation Manual				page 4
<b>Contrast for the parts number of GHD-50 spindle box and its three dimensions sketch.</b>				
<b>No.</b>	<b>Parts number</b>	<b>Name of the parts</b>	<b>Q'ty</b>	<b>Remarks</b>
73	32001/ZY5050A	Horizontal spindle	1	
74	1000909;GB276	Bearing	1	
75	32002/ZY5050A	Washer	1	
76	31001/ ZY5050A	Worm wheel	1	
77	32003/ZY5050A	Sleeve	1	
78	1000909;GB276	Bearing	1	
79	31002/ZY5050A	Side cover for feed	1	
80	32029/ZS5030A	Handle seat	1	
81	32030/ZS5030A	Washer for adjusting	1	
82	32031/ZS5030A	Pressing cover	1	
83	32033/ZS5030A	Lever	3	
84	32032/ZS5030A	Handle lever	3	
85	35002/ZS5030A	Nip	3	
86	35001/ZS5030A	Core lever	3	
87	50204;GB277	Bearing	1	
88	32027/ZY5050	Gear	1	
89	32026/ZY5050	Gear	1	
90	32025/ZY5050	Gear	1	
91	32023/ZY5050	Gear	1	
92	32014/ZY5050	Gear	1	
93	32013/ZY5050	Gear	1	
94	35024/ZY5050	Spline (II)	1	
95	204;GB276	Bearing	1	
96	31005/ZY5050	Spindle box cover	1	
97	50204;GB277	Bearing	1	
98	32022/ZY5050	Gear	1	
99	32020/ZY5050	Gear	1	
100	32019/ZY5050	Gear	1	
101	32018/ZY5050	Gear	1	
102	32021/ZY5050	Spline shaft (I)	1	
103	204;GB276	Bearing	1	
104	32017/ZY5050	Electric gear	1	
105	32046/ZY5050	Feed gear	1	
106	7000103;GB276	Bearing	1	
107	32053/ZY5050	Bearing seat	1	
108	7000103;GB276	Bearing	1	

Ancillary page of Operation Manual				page 5
<b>Contrast for the parts number of GHD-50 spindle box and its three dimensions sketch.</b>				
No.	Parts number	Name of the parts	Q'ty	Remarks
109	32052/ZY5050	Feed gear	1	
110	202;GB276	Bearing	1	
111	32040/ZY5050	Spline shaft (III)	1	
112	32041/ZY5050	Feed gear	1	
113	32042/ZY5050	Feed gear	1	
114	32043/ZY5050	Feed gear	1	
115	32044/ZY5050	Feed gear	1	
116	32045/ZY5050	Feed gear	1	
117	50202;GB277	Bearing	1	
118	B-12×100;GB4141.2	Waved hand wheel	1	
119	32067/ZY5050	Worm cover	1	
120	32068/ZY5050	Inching shaft	1	
121	32069/ZY5050	Inching clutch	1	
122	M14×1.5;GB812	Round nut	1	
123	14;GB858	Washer	1	
124	8102;GB301	Bearing	1	
125	31007/ZY5050	Bearing seat	1	
126	8102; GB301	Bearing	1	
127	32066/ZY5050	Washer	1	
128	102;GB276	Bearing	1	
129	32064/ZY5050	Worm shaft	1	
130	106; GB276	Bearing	1	
131	32063/ZY5050	Clutch seat (below)	1	
132	202; GB276	Bearing	1	
133	32062/ZY5050	Overload protection sleeve	1	
134	32060/ZY5050	Washer for adjusting	1	
135	32059/ZY5050	Feed gear	1	
136	32058/ZY5050	Feed gear	1	
137	32057/ZY5050	Feed gear	1	
138	32056/ZY5050	Feed gear	1	
139	32061/ZY5050	Spline shaft (IV)	1	
140	303;GB276	Ball bearing	1	

# Ancillary Page Of Operation Manual

## Drawing (2) Picture of dimensions sketch of column and bracket parts structure



Ancillary page of Operation Manual				page 7
<b>Contrast for the parts number of GHD-50 column and its bracket and its three dimension sketch.</b>				
<b>No.</b>	<b>Parts number</b>	<b>Name of the parts</b>	<b>Q'ty</b>	<b>Remarks</b>
1	11003/ZY5050	Base	1	
2	12003/ZY5050	Cover	1	
3	12008/ZS5030	Cover broad	1	
4	11008/ZY5050	Column	1	
5	12004/ZY5050	Rack	1	
6	11010/ZY5050	Stop ring	1	
7	11006/ZY5050	Up and down device of bracket	1	
8	11009/ZY5050	Up connection seat	1	
9	11001/ZY5050	Crust	1	
10	M10×50; GB4141.14	Long lever quill	1	
11	M10×80; GB4141.15	Hand lever	1	
12	12005/ZY5050	Double end bolt	1	
13	M12×30;GB4141.16	Hand lever seat	1	
14	11007/ZY5050	Bracket seat	1	
15	12005/ZS5030	T type screw bolt	1	
16	12010/ZS5030	Positioning shaft	1	
17	11002/ZY5050	Worktable	1	
18	12016/ZY5050	Small shaft	1	
19	12017/ZY5050	Worm shaft	1	
20	11015/ZY5050	Sleeve	1	
21	12015/ZY5050	Gear	1	
22	12014/ZY5050	Washer	1	
23	11014/ZY5050	Side cover for lifting	1	
24	12012/ZY5050	Warm shaft for lifting	1	
25	8104; GB301	Ball bearing	1	
26	12011/ZY5050	Taper gear	1	
27	11013/ZY5050	Washer for adjusting	1	
28	12013/ZY5050	Taper gear	1	
29	12007/ZY5050	Bearing seat	1	
30	7000102;GB276	Ball bearing of depth chimb	1	
31	12010/ZY5050	Connecting end	1	
32	12008/ZY5050	Connecting end	1	
33	11011/ZY5050	Lever for lifting	1	
34	M10×80; GB4141.5	Lever for turning	1	
35	12006/ZY5050	Double end bolt	2	
36	11005/ZY5050	Main nut for clamping board	1	

Ancillary page of Operation Manual	page 8
------------------------------------	--------

**Contrast for the parts number of GHD-50 column and its bracket and its three dimension sketch.**

No.	Parts number	Name of the parts	Q'ty	Remarks
37	12012/ ZS5030	Connecting board for bracket	1	
38	M12×100; GB4141.15	Hand lever	1	
39	M12×60; GB4141.14	Long hand quill	1	
40	11004/ZY5050	Nut for clamping board	1	

