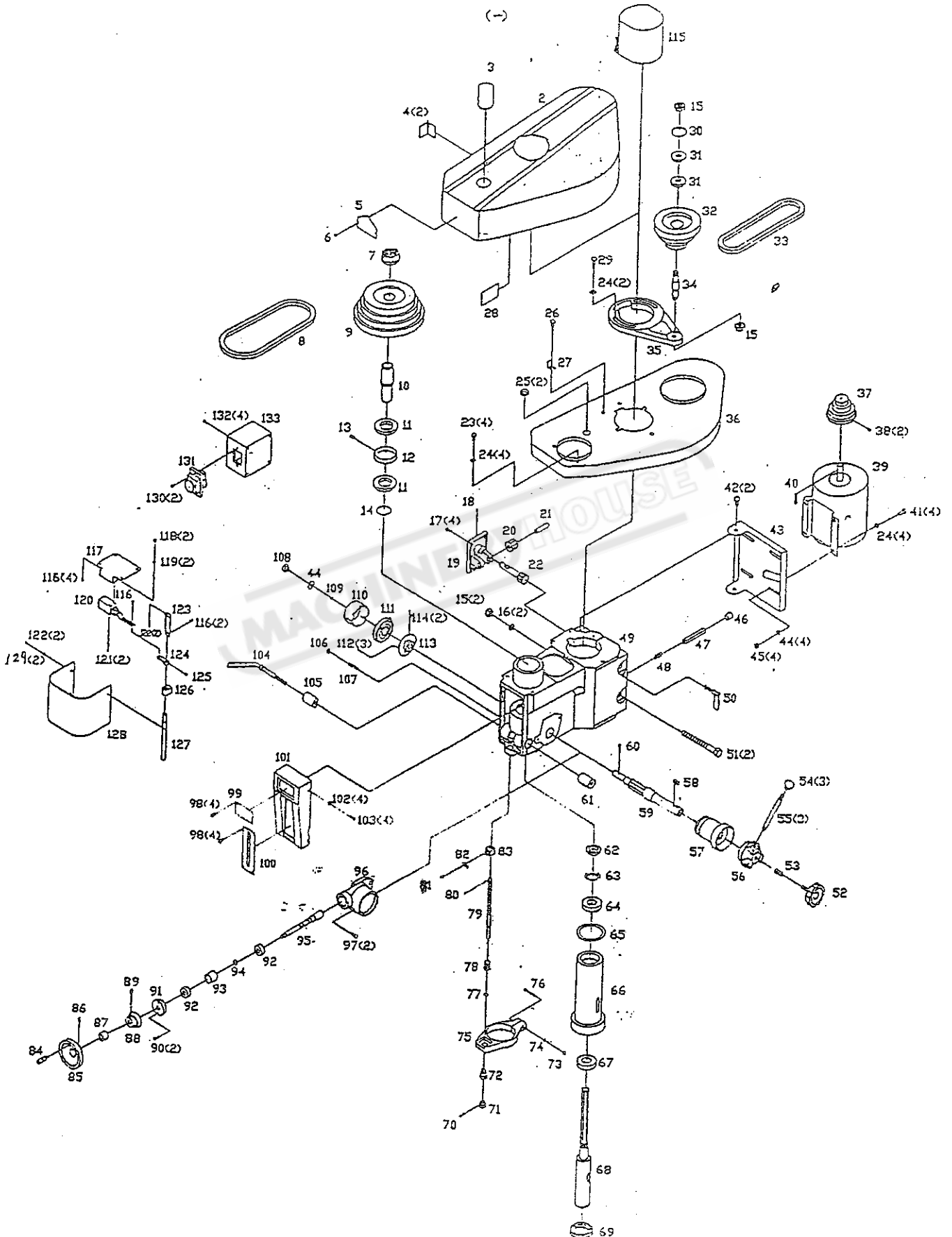


# For step-pulley drive HEAD BODY PARTS (CB)

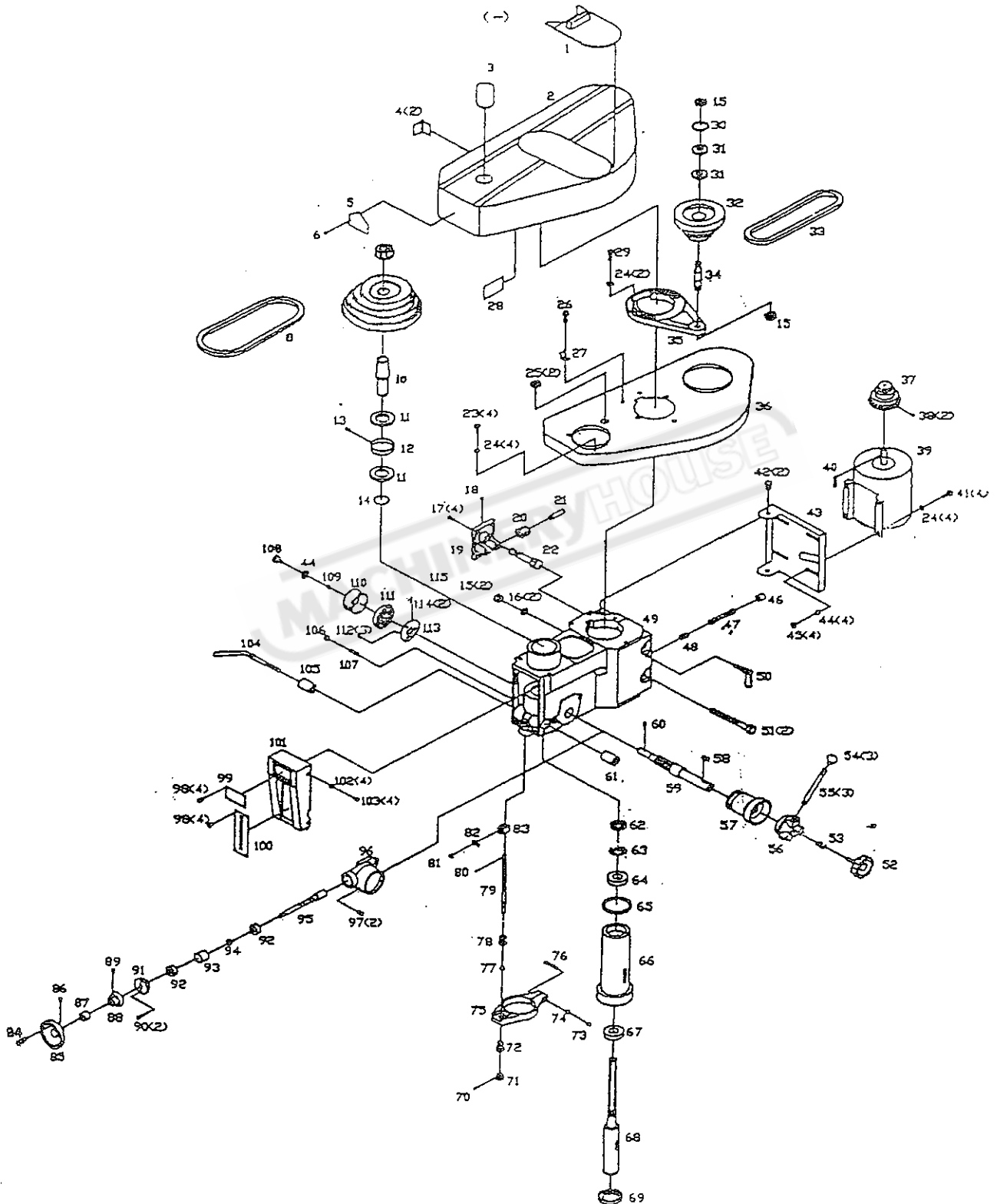


## For step-pulley drive

## HEAD BODY PARTS (CE)

2	down cover	46	balata jacketing	90	bolt
3	rod	47	tension pin	91	end lid
4	jaw	48	spring cap	92	sealing
5	trademark	49	head body	93	separating ring
6	rivet	50	tight handle	94	retaining ring
7	nut	51	bolt	95	feed worm
8	V-belt	52	big ripple handle	96	feed institution support
9	spindle pulley	53	spring cap	97	bolt
10	spindle pulley	54	handle ball	98	screw
11	splined sleeve	55	handle rod	99	nameplate
12	ball bearing	56	handle body	100	scale
13	screw	57	turbine	101	front cover board
14	retaining ring	58	key	102	washer
15	nut	59	gear shaft	103	screw
16	washer	60	screw	104	handle rod
17	screw	61	fixed collar (thread)	105	fixed tight collar
18	oil cup	62	nut	106	nut
19	bracket	63	washer	107	screw
20	gear	64	ball bearing	108	small ripple handle
21	shaft	65	retaining	109	washer
22	worm	66	sleeve	110	spring cap
23	bolt	67	ball bearing	111	spring plate
24	washer	68	spindle	112	screw
25	separating ring	69	ball bearing lid	113	shaft sleeve
26	screw	70	pin	114	pin
27	wire californium	71	knob	115	small cover
28	warning board	72	locating sleeve	116	screw
29	bolt	73	nut	117	safe switch rack
30	retaining ring	74	washer	118	screw
31	ball bearing	75	feed support	119	washer
32	middle pulley	76	bolt	120	safe switch
33	V-belt	77	nut	121	screw
34	middle pulley shaft	78	fixed nut	122	screw
35	pulley support	79	adjustable rod	123	fixed board
36	down cover	80	pin	124	connecting rod
37	motor pulley	81	screw	125	screw
38	screw	82	referral -board	126	shaft sleeve
39	motor	83	stop lump	127	shaft
40	key	84	turn handle	128	protect board
41	bolt	85	small handle wheel	129	washer
42	bolt	86	screw	130	screw
43	motor rack	87	adapter sleeve	131	switch
44	washer	88	graduation plate	132	screw
45	nut	89	screw	133	electric box

# For step-pulley drive HEAD BODY PARTS (NO CE)

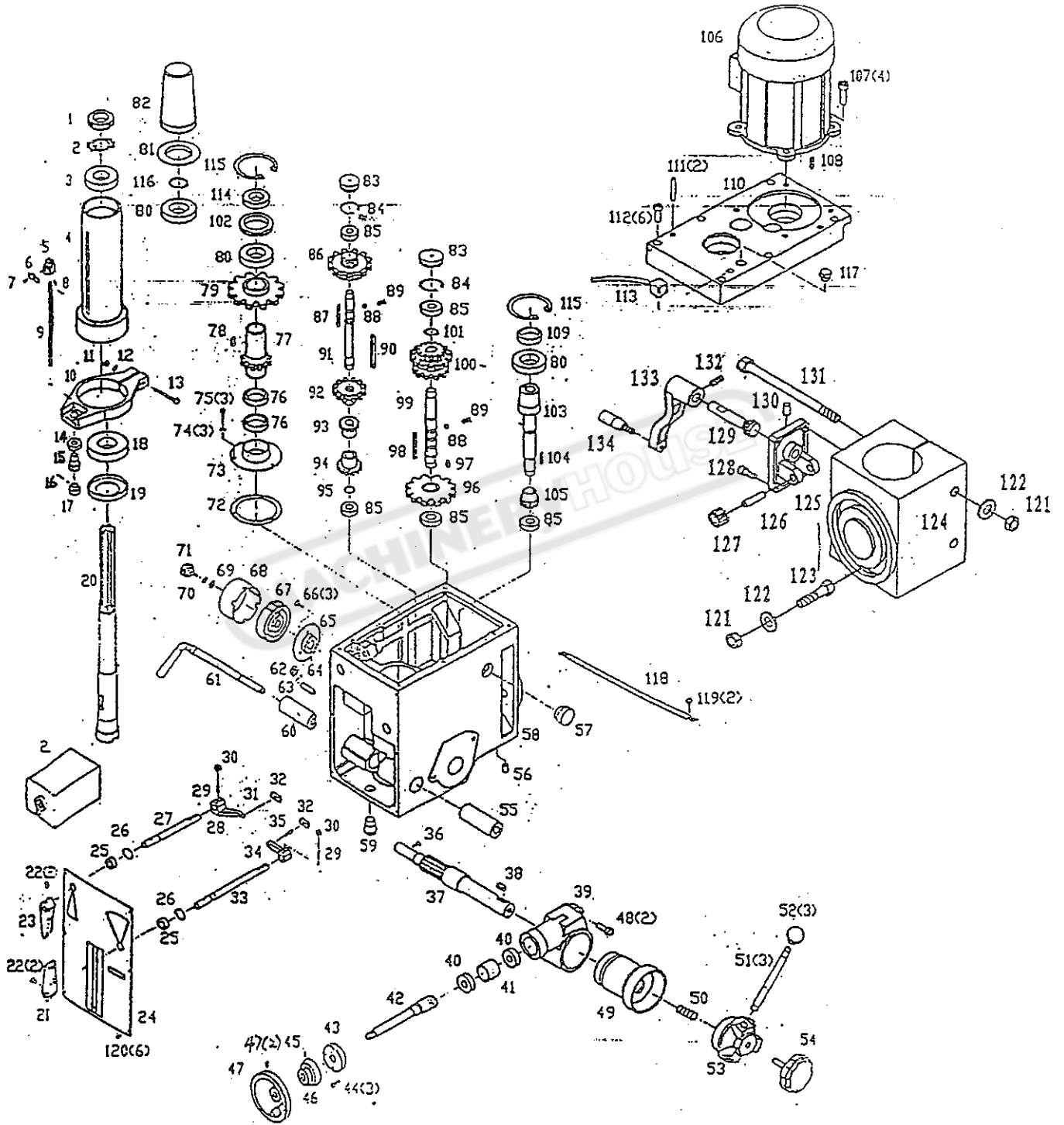


## For step-pulley drive

## HEAD BODY PARTS (NO CE)

NO	NAME	NO	NAME	NO	NAME
1	cover board	39	motor	77	nut
2	up cover	40	key	78	fixed nut
3	round	41	bolt	79	adjustable rod
4	jaw	42	bolt	80	pin
5	trademark	43	motor rack	81	screw
6	rivet	44	washer	82	referral-board
7	nut	45	nut	83	stop lump
8	V-belt	46	balata jacketing	84	turn handle
9	spindle ring	47	tension pin	85	small hand wheel
10	splined sleeve	48	spring	86	screw
11	ball bearing	49	spindle box	87	adapter sleeve
12	separating ring	50	tight handle	88	graduation plate
13	screw	51	bolt	89	screw
14	retaining ring	52	big ripple handle	90	bolt
15	nut	53	spring	91	end lid
16	washer	54	handle ball	92	ball bearing
17	screw	55	handle rod	93	separating ring
18	oil cup	56	handle body	94	retaining ring
19	bracket	57	turbine	95	feed worm
20	gear	58	key	96	feed institution support
21	shaft	59	gear shaft	97	bolt
22	worm	60	screw	98	screw
23	bolt	61	fixed tight collar (thread)	99	nameplate
24	washer	62	nut	100	scale
25	separating ring	63	washer	101	front cover board
26	screw	64	ball bearing	102	washer
27	wire californium	65	retaining	103	screw
28	warning board	66	sleeve	104	handle rod
29	bolt	67	ball bearing	105	fixed tight collar
30	retaining ring	68	spindle	106	nut
31	ball bearing	69	ball bearing lid	107	screw
32	middle pulley	70	pin	108	small ripple handle
33	V-belt	71	knob	109	washer
34	middle pulley shaft	72	locating sleeve	110	spring cap
35	pulley support	73	nut	111	spring plate
36	down cover	74	washer	112	screw
37	motor pulley	75	feed support	113	shaft sleeve
38	screw	76	bolt	114	pin

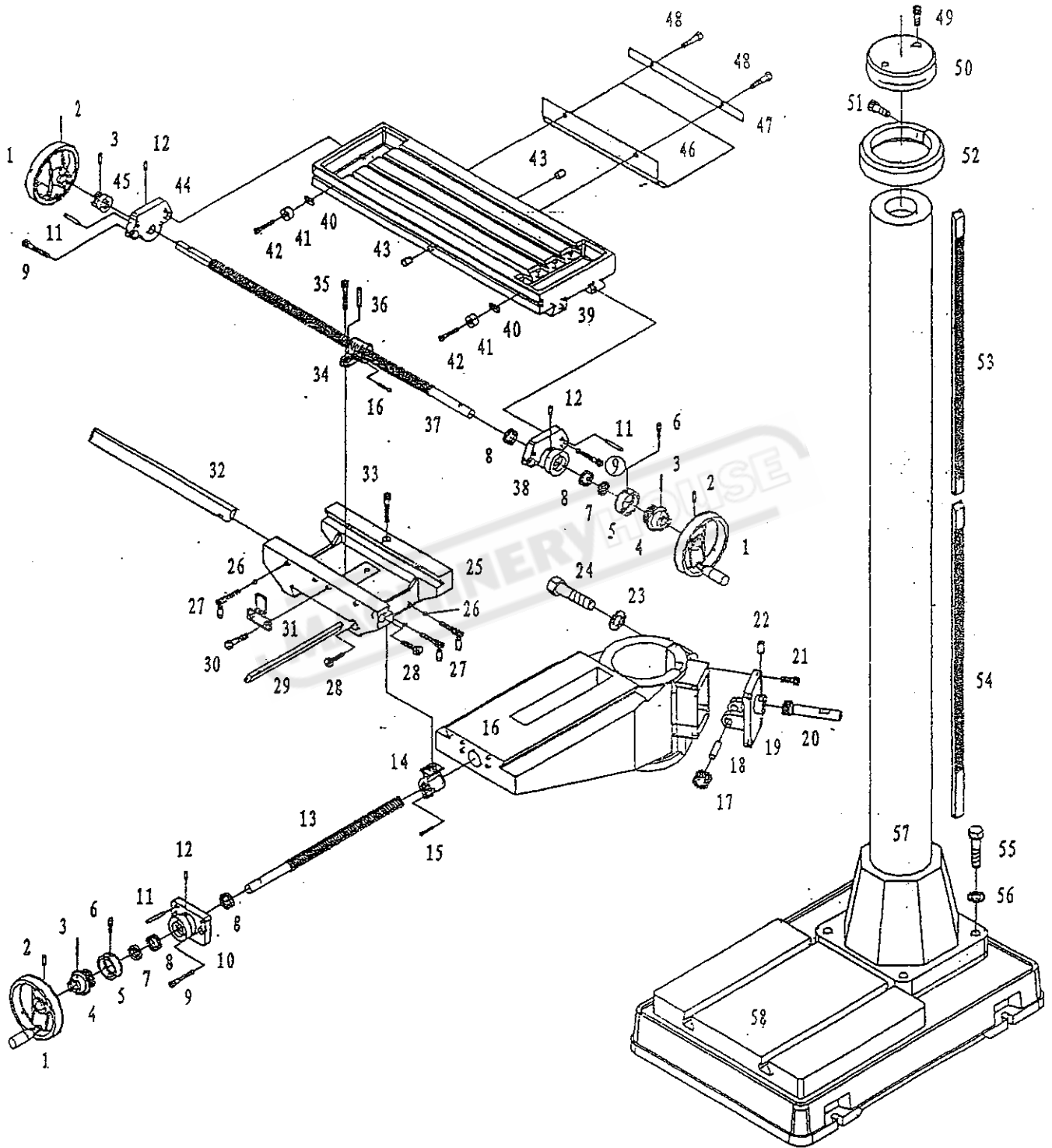
# For geared head drive HEAD BODY PARTS



## For geared head drive HEAD BODY PARTS

1	graduated rod	46	graduation plate	91	key
2	lock washer	47	handle wheel	92	shaft III
3	ball bearing	47(1)	screw	93	gear
3(1)	washer	48	screw	94	gear
4	sleeve	49	worm gear	95	retaining ring
5	fixed bolt	50	spring	96	gear
6	scale-board	51	handle rod	97	key
7	screw	52	handle ball	98	key
8	pin	53	handle body	99	shaft II
9	graduated rod	54	big ripple handle	100	gear
10	feed base	55	fixed tight collar	101	retaining ring
11	nut	56	oil cover	102	separating ring
12	washer	57	oil pointer	103	motor shaft
13	screw	58	head body	104	key
14	nut	59	fixed nut	105	gear
15	support	60	fixed tight collar	106	motor
16	pin	61	handle rod	107	screw
17	knob	62	nut	108	key
18	ball bearing	63	screw	109	oil seal
19	bearing cup	64	pin	110	head body cover
20	spindle	65	spring base	111	pin
21	electric box	66	washer	112	screw
22	screw	67	spring plate	113	pipe radiator
23	speed lever	68	spring cap	114	oil seal
24	name plate	69	washer	115	retaining ring
25	oil seal	70	washer	116	retaining ring
26	retaining ring	71	small ripple handle	117	oil cup
27	lever shaft(left)	72	airtight ring	118	degree-meter
28	lever(left)	73	airtight base	119	screw
29	screw	74	washer	120	screw
30	nut	75	screw	121	nut
31	pin	76	oil seal	122	washer
32	lever bracket	77	gear	123	bolt
33	lever shaft(right)	78	key	124	support
34	lever(right)	79	gear	125	bracket
35	pin	80	ball bearing	126	pin
36	screw	81	arbor bolt cover base	127	worm gear
37	pinion shaft	82	arbor bolt cover	128	screw
38	key	83	cap	129	worm shaft
39	feed cover	84	retaining ring	130	oil cup
40	ball bearing	85	ball bearing	131	bolt
41	separating ring	86	gear	132	screw
42	worm shaft	87	key	133	handle of worker table
43	worm cover	88	steel ball	134	roll handle
44	screw	89	spring		
45	screw				

TABLE, BASE AND COLUMN PARTS (NO COOLANT)

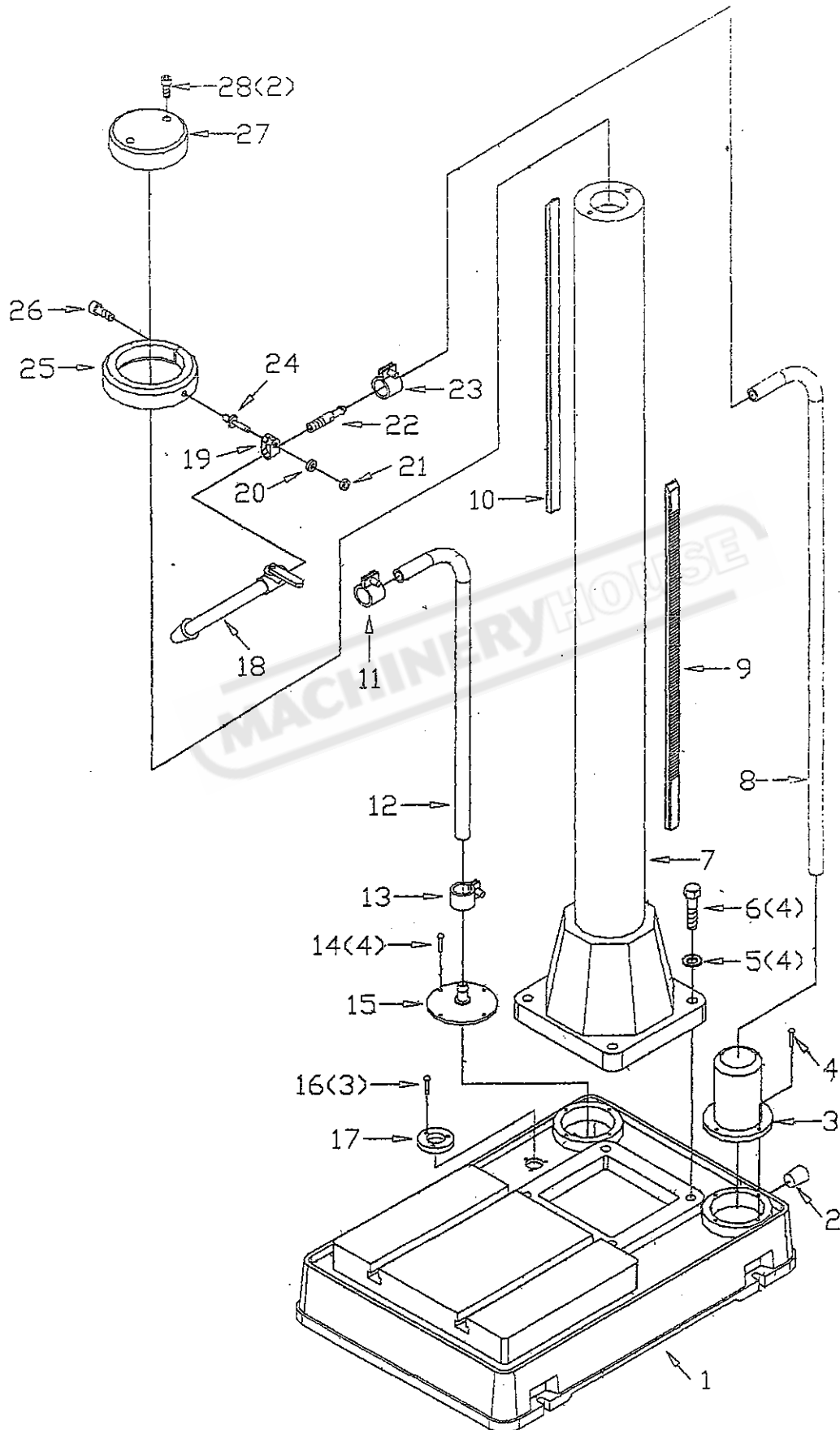


TABLE, COLUMN AND BASE PARTS (NO COOLANT)

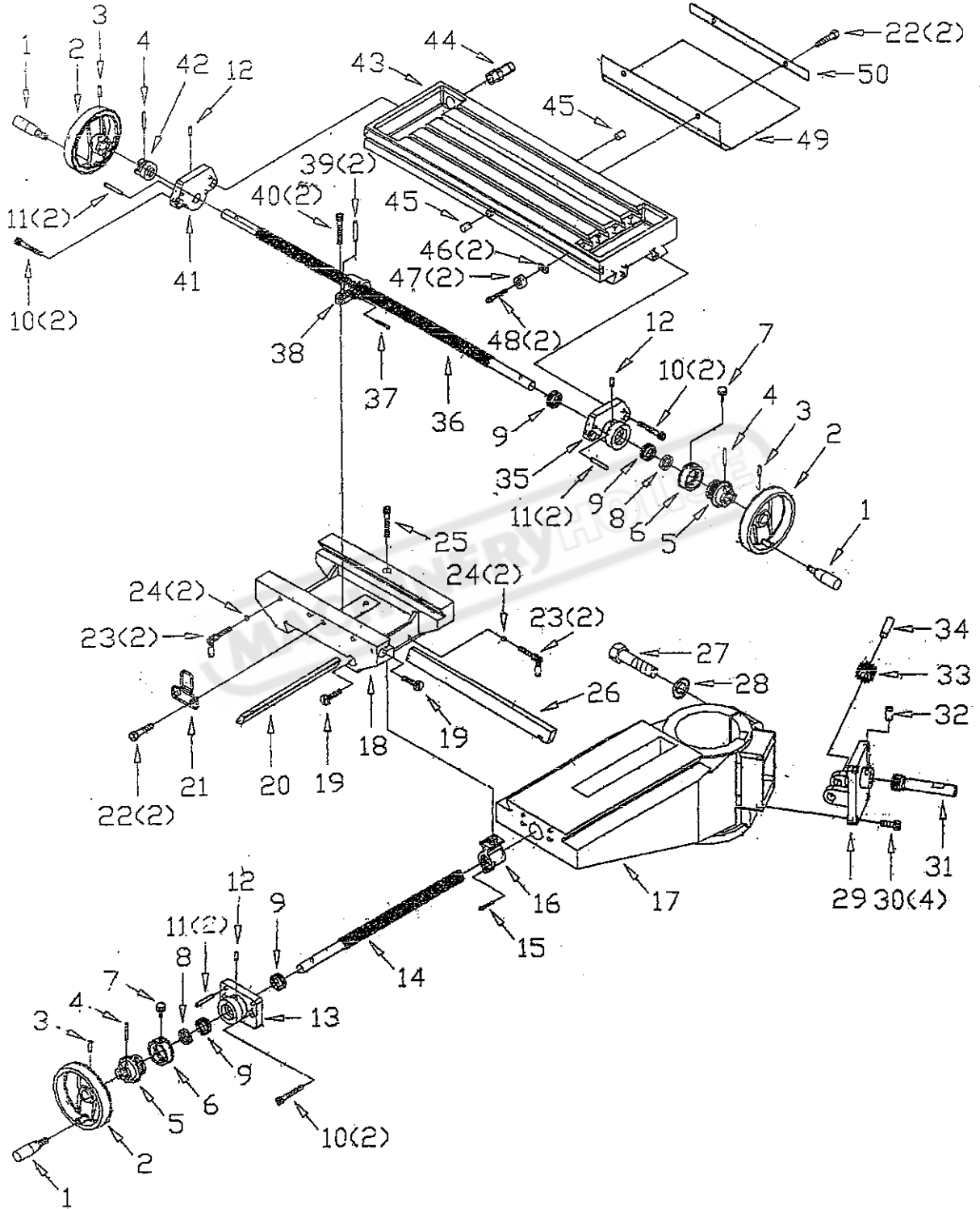
NO.	NAME	NO.	NAME
1	feed handle	30	bolt
2	screw	31	limited board
3	pin	32	long gib strip
4	scale base	33	screw
5	graduation plate	34	long guide screw nut
6	screw	35	screw
7	adjust washer	36	pin
8	ball bearing	37	long guide screw
9	screw	38	right guide screw support
10	short guide screw support	39	table
11	pin	40	ladder-shaped nut
12	oil cup	41	limited board
13	short guide screw	42	screw
14	short guide screw nut	43	oil cup
15	screw	44	left guide screw support
16	brace	45	dial clutch
17	gradient gear	46	protect board
18	pin	47	protect board slice
19	elevoting support	48	bolt
20	elevoting worm	49	screw
21	screw	50	column lid
22	oil cup	51	bolt
23	washer	52	link
24	bolt	53	rock (for head body)
25	table	54	riock (for table)
26	steel ball	55	bolt
27	lock screw	56	washer
28	gib strip screw	57	column
29	short gib strip	58	base



### COLUMN AND BASE PARTS (COOLANT)



### TABLE PARTS (COOLANT)



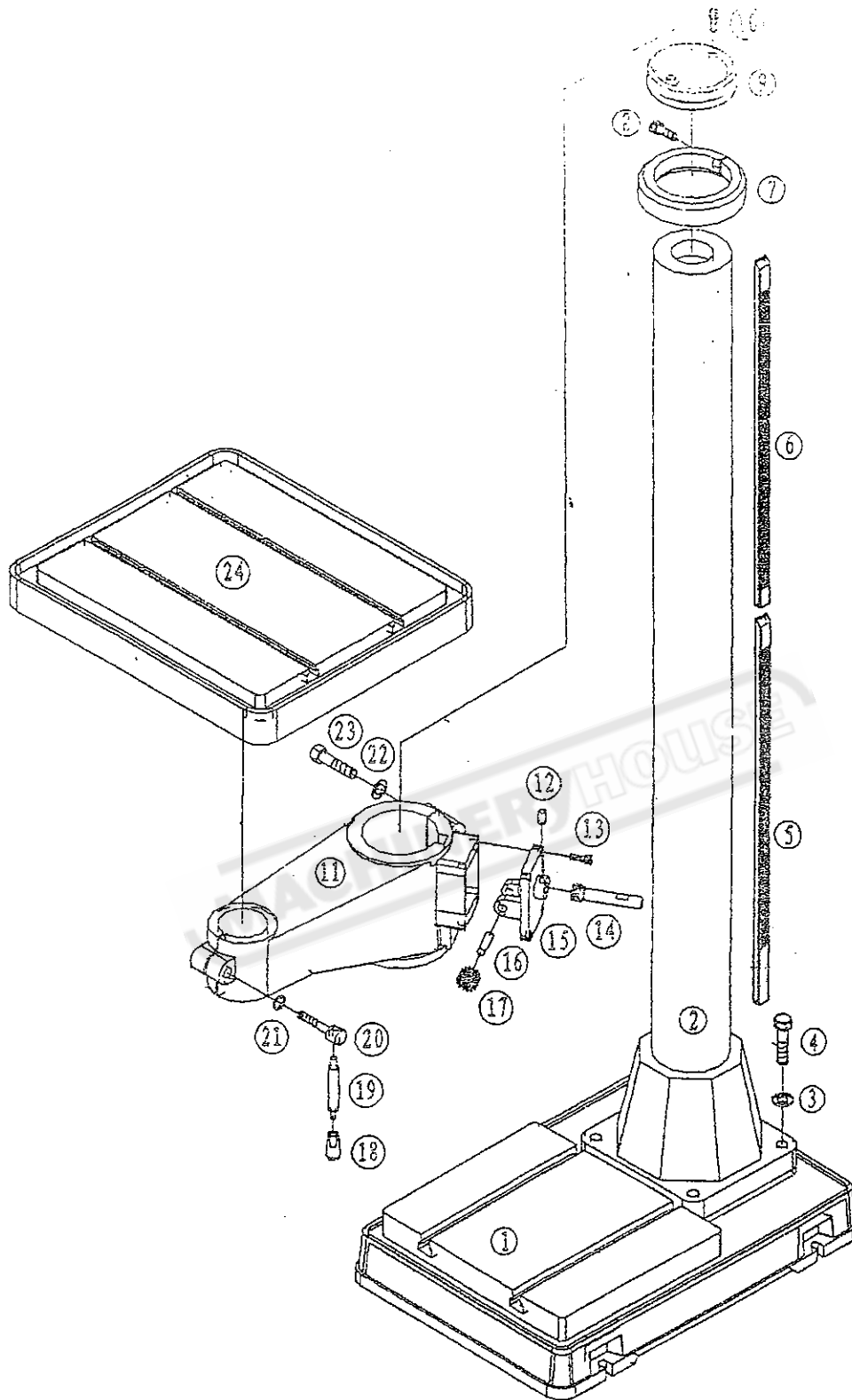
### COLUMN AND BASE PARTS (COOLANT)

NO.	NAME	NO.	NAME
1	base	15	flange nut
2	oil stopper	16	screw
3	coolant pump	17	filter
4	screw	18	nozzle
5	washer	19	spring holder
6	bolt	20	washer
7	column	21	nut
8	coolant pipe	22	joint
9	rack of table arm	23	holder of flexible hose
10	rack of headstock	24	double head screw
11	holder of coolant pipe	25	column ring
12	flexible hose	26	screw
13	holder of coolant pipe	27	column cover
14	screw	28	screw

### TABLE PARTS (COOLANT)

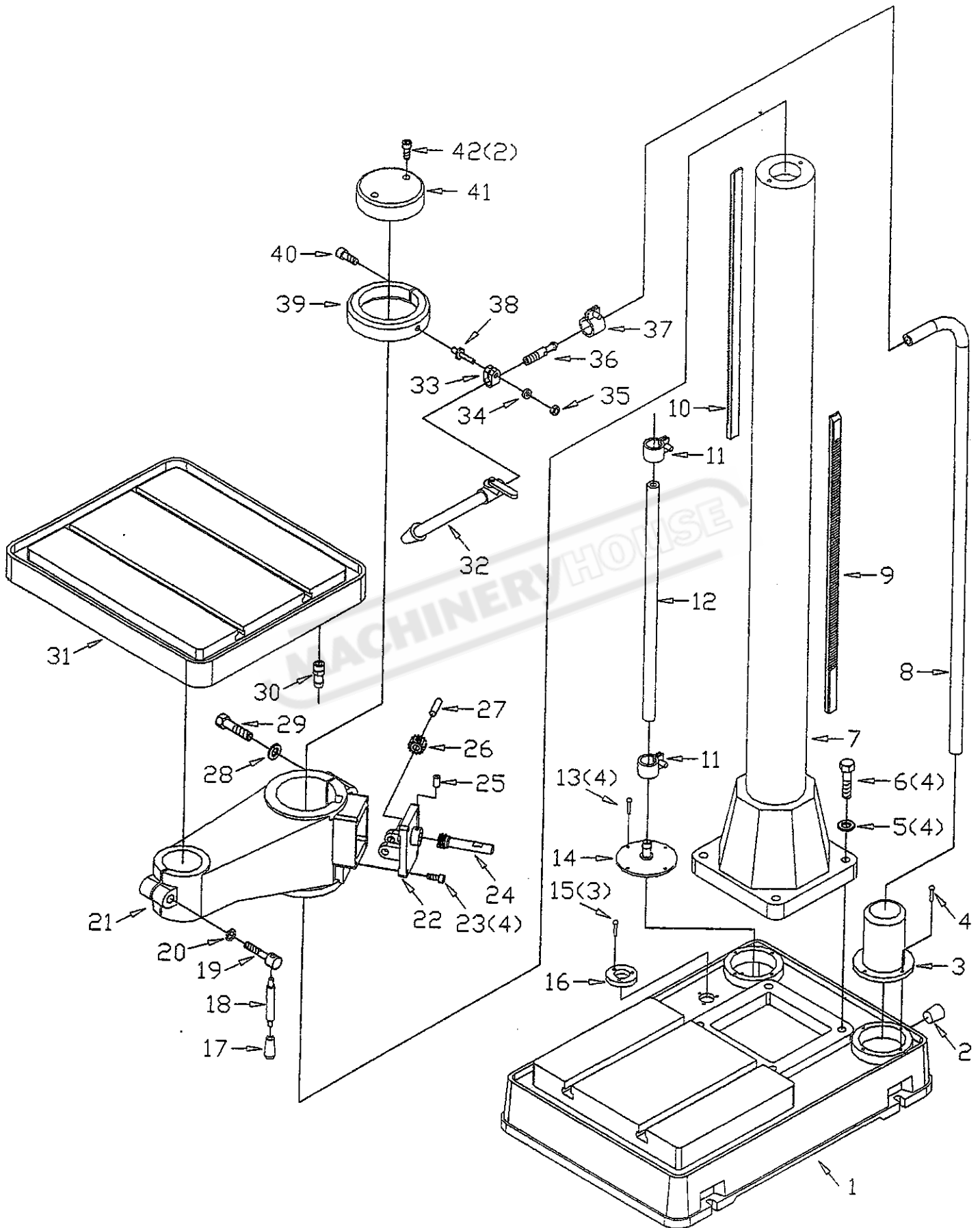
NO.	NAME	NO.	NAME
1	handle	26	long gib strip
2	wheel	27	bolt
3	screw	28	washer
4	pin	29	elevoting support
5	scale base	30	screw
6	graduation plate	31	elevoting worm
7	screw	32	oil cup
8	adjust washer	33	gradient gear
9	ball bearing	34	pin
10	screw	35	right guide screw support
11	pin	36	long guide screw
12	oil cup	37	screw
13	short guide screw support	38	long guide screw nut
14	short guide screw	39	pin
15	screw	40	screw
16	short guide screw nut	41	left guide screw support
17	brace	42	dial clutch
18	table	43	table
19	gib strip screw	44	joint of flexible hose
20	short gib strip	45	oil cup
21	limited board	46	ladder-shaped nut
22	bolt	47	limited board
23	lock screw	48	screw
24	steel ball	49	protect board
25	screw	50	protect board slice

## TABLE. BASE AND COLUMN PARTS (NO COOLANT)



1	base	9	column lid	17	worm gear
2	column	10	screw	18	handle knob
3	washer	11	shift table	19	handle rod
4	bolt	12	oil cup	20	bolt
5	rock (for table)	13	screw	21	washer
6	rock (for head body)	14	worm shaft	22	washer
7	link	15	bracket	23	bolt
8	bolt	16	pin	24	table

### TABLE, COLUMN AND BASE PARTS (COOLANT)



TABLE, BASE AND COLUMN PARTS (COOLANT)

NO.	NAME	NO.	NAME
1	base	23	screw
2	oil stopper	24	worm shaft
3	coolant pump	25	oil cup
4	screw	26	worm gear
5	washer	27	pin
6	bolt	28	washer
7	column	29	bolt
8	coolant pipe	30	joint
9	rack of table arm	31	table
10	rack of headstock	32	nozzle
11	holder of coolant pipe	33	spring holder
12	flexible hose	34	washer
13	screw	35	nut
14	flange joint	36	joint
15	screw	37	holder of coolant pipe
16	filter	38	double head screw
17	handle knob	39	column ring
18	handle rod	40	screw
19	bolt	41	column cover
20	washer	42	screw
21	shift table		
22	bracket		