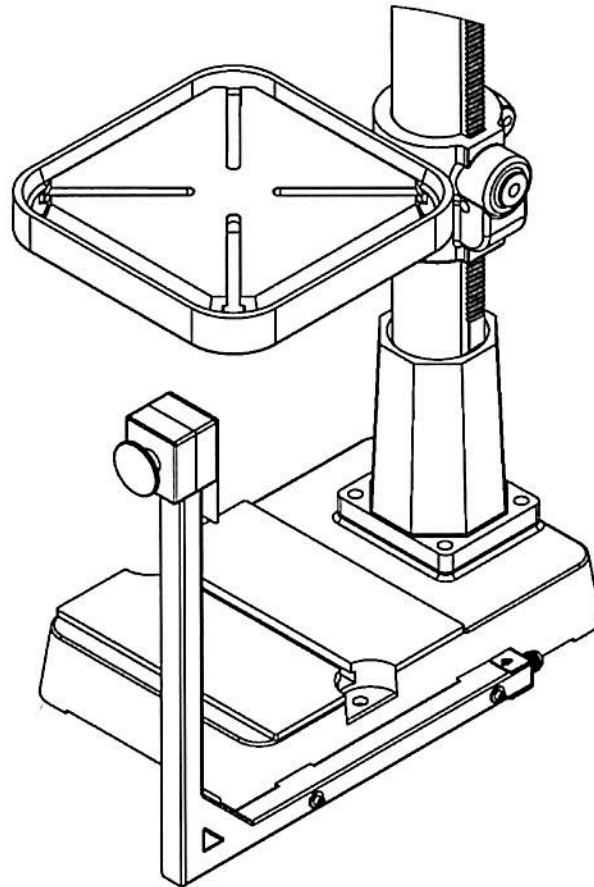
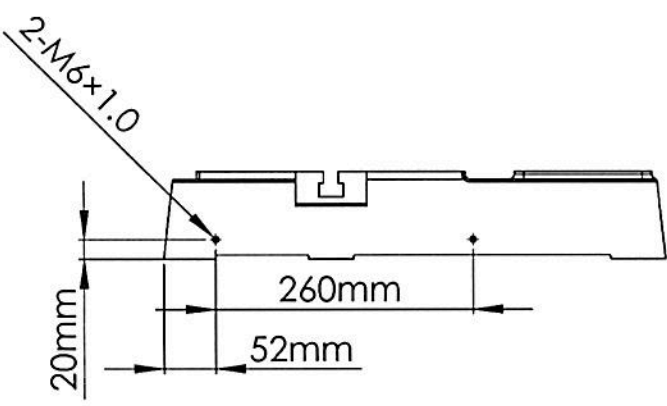
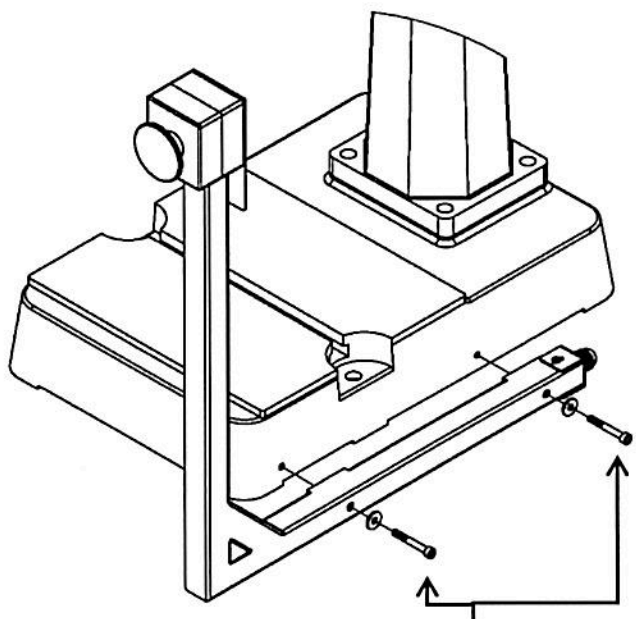


# Installation Schematic Diagram of Emergency Stop Bracket



Recommended Size of Fixed Hole of Bottom Base	Installation Description of Bracket
 <p>2-M6x1.0</p> <p>20mm</p> <p>260mm</p> <p>52mm</p>	 <p>M6x45mm 2 screws &amp; 2 flat washers.</p>