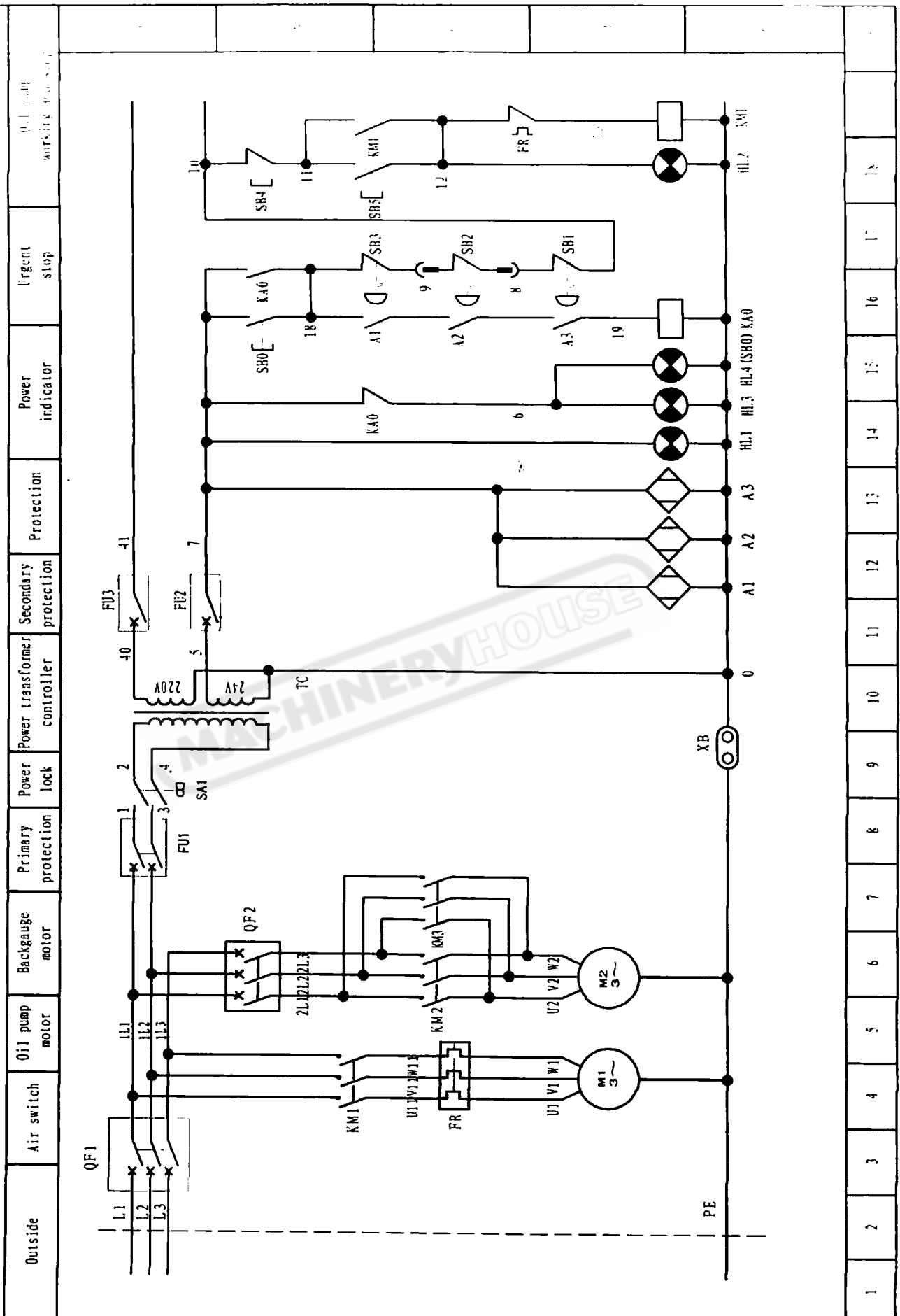


HYDRAULC SWING PLATE SHEARING MACHINE

Total Part



Outside

Air switch

Oil pump motor

Backgauge motor

Primary protection

Power lock

Power transformer controller

Secondary protection

Protection

Power indicator

Urgent stop

Part name

Quantity

Unit

Material

Remarks

Drawn

Checked

Approved

Date

Scale

1

2

3

4

5

6

7

8

9

10

11

12

13

14

15

16

17

18

19

20

21

22

23

24

HYDRAULIC SWING PLATE SHEARING MACHINE

Model Page

ENCODER

Function transform

Oil pump

Foot down

Lower limit

Upper limit

NC69

Protection

Power switch

Lighting

Back gauge control

Protection

Lighting

Power switch

Protection

Lighting

Power switch

Lighting

Power switch

Lighting

Power switch

Lighting

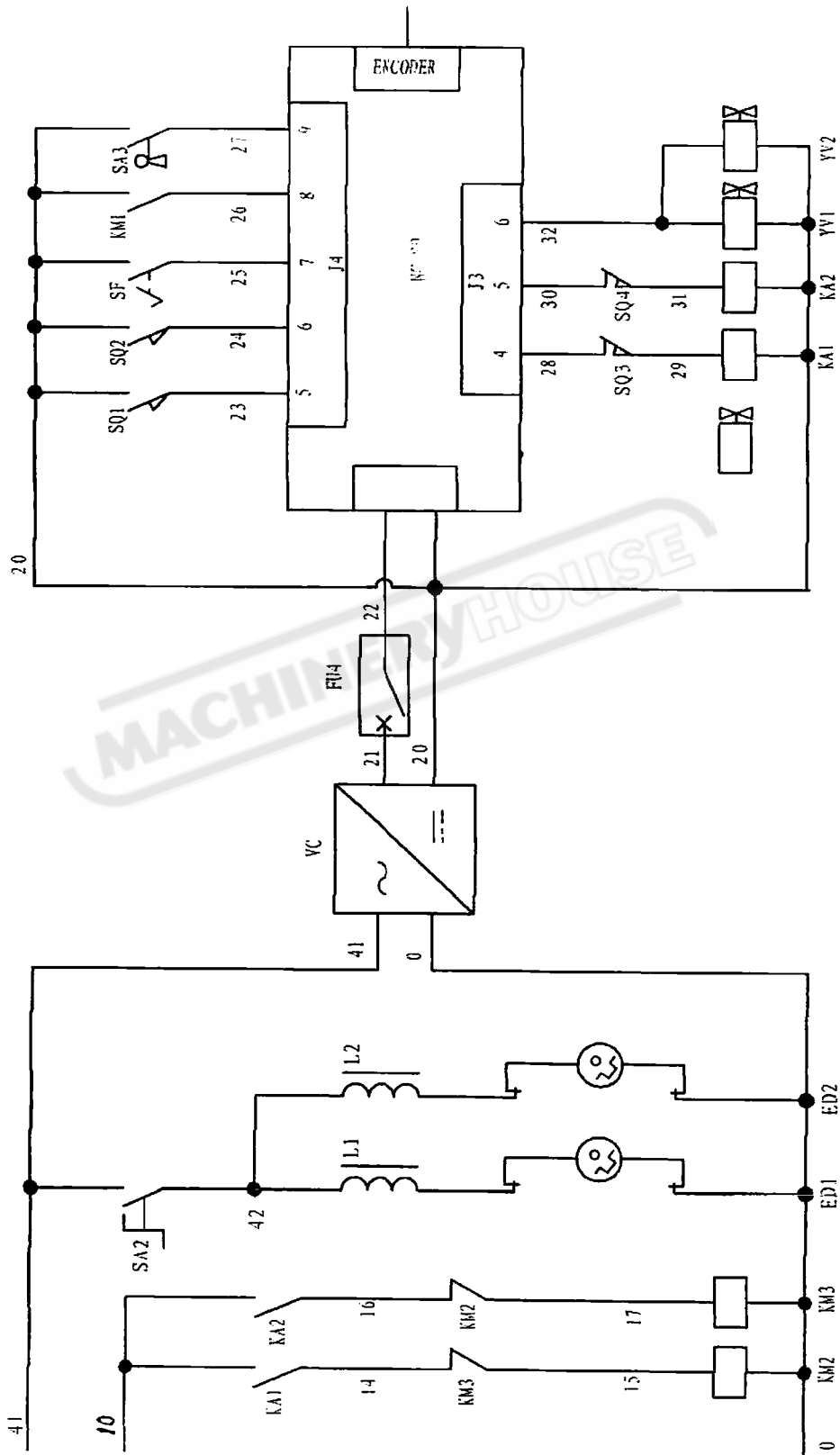
Power switch

Lighting

Power switch

Lighting

Power switch



21	22	23	24	25	26	27	28	29	30	31	32	33	34	35	36	37	38	39	40	41
----	----	----	----	----	----	----	----	----	----	----	----	----	----	----	----	----	----	----	----	----

HYDRAULIC SWING PLATE SHEARING MACHINE

Total :

Page: 18

COMPONENTS LIST

CODE	ITEM	NAME	TYPE	QTY	REMARK
QF1	2	Main Breaker	NSC60E3060	1	
KM1	16	Contactor	LC1-D25B7C	1	
QF2	6	Breaker	C32NC6/3P	1	
KA5	30	Contactor	LC1-D09B7C	1	
KA6	31	Contactor	LC1-D09B7C	1	
FU1	8	Breaker	C32NC3/2P	1	
TC	10	Transformer	JBK5-400	1	Input: 415V (50HZ) Output: 220V/110V/29V/6.3V
FU2-5	11	Breaker	C32NC4/1P	4	
FR1	3	Thermorelay	LRD22C	1	
ED1	11	Lamp	YG1 1-1	1	
ED2	11	Lamp	YG1 1-1	1	
A1-2	13	Photoelectric Switch	E3JK-5M1	2	
KA0	15	Relay	CAD-32F5C	1	
KA2	23	Relay	CAD-32F5C	1	
KA3	25	Relay	CAD-32F5C	1	

HYDRAULIC SWING PLATE SHARING MACHINE

Total

Page 19-20

COMPONENTS LIST

CODE	ITEM	NAME	TYPE	QTY	REMARK
FR2	6	Thermorelay	LRD7C	1	Pneumatic Support
VC1	34	Rectifier	KBPC1002	1	
CNT	41	Digital Display Devic	E10-S	1	
SA1	9	Key Switch	XB2-BG21C	1	
SA2	12	Selective Switch	XB2-BD21C	1	
SB1 SB5 SB6	15	Emergency Pushbutton	XB2-BS542C	3	
SB2	16	Pushbutton	XB2-BW33B1C	1	6.3V
SA3	17	Key Switch	XB2-BG21C	1	
SA4	28	Selective Switch	XB2-BD21C	1	
SB7	16	Push button	XB2-EA121	1	red
SB3-4	32	Push button	XB2-EA121	2	
HL1	30	Indicator	XB2-BVB3C	1	6.3V
SQ1-2	29	Limit Switch	XCKN2118P20C	2	
SQ4	22	Stroke Switch	XCK-M115C	1	
SQ5	24	Stroke Switch	XCK-M115C	1	