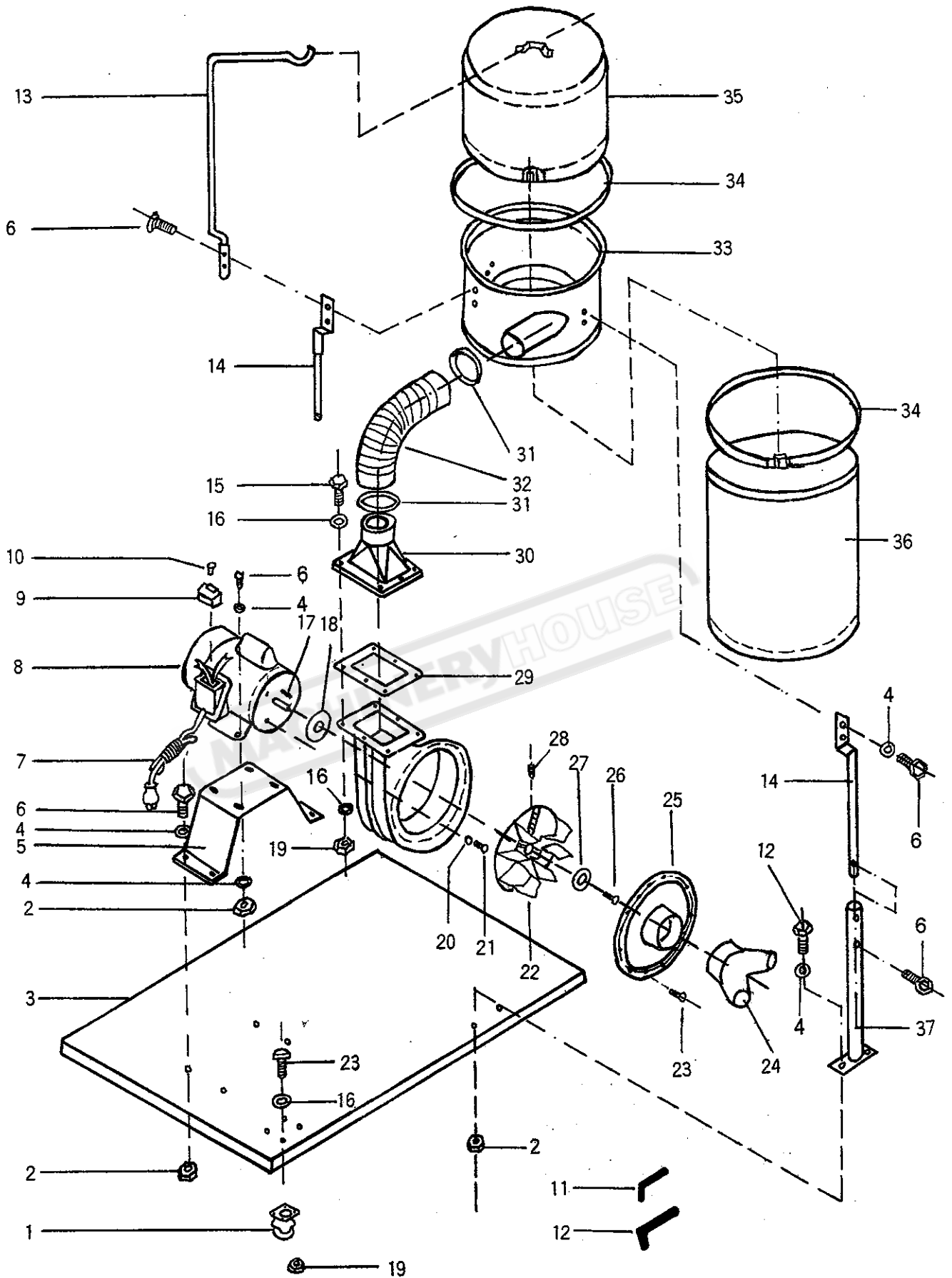


PARTS LIST

DC-3 Dust Collector (240V) 1200cfm - LPHV System



W394



PARTS LIST

NO.	DESCRIPTION	Q'TY
1	Caster	4
2	Nut	10
3	Base plate	1
4	Washer	24
5	Motor Base	1
6	Screw Hex.	23
7	Cord Power	1
8	Motor	1
9	Switch	1
10		
11	Wrench Hex.	1
12	Wrench Hex.	1
13	Upper Bag Support	1
14	Collector Support	3
15	Screw Hex	6
16	Washer	12
17	key	1
18	Packing	1
19	Nut	22
20	Washer	4
21	Screw Hex.	4
22	Turbo Fan	1
23	Screw Hex.	28
24	Inlet	1
25	Inlet Cover	1
26	Screw Hex.	1
27	Washer	1
28	Screw Hex.	1
29	Packing	1
30	Outlet	1
31	Hose Clamp	2
32	Hose	1
33	Collector	1
34	Hose Clamp	2
35	Filter Bag	1
36	Collector Bag	1
37	Collector Support	3
38		

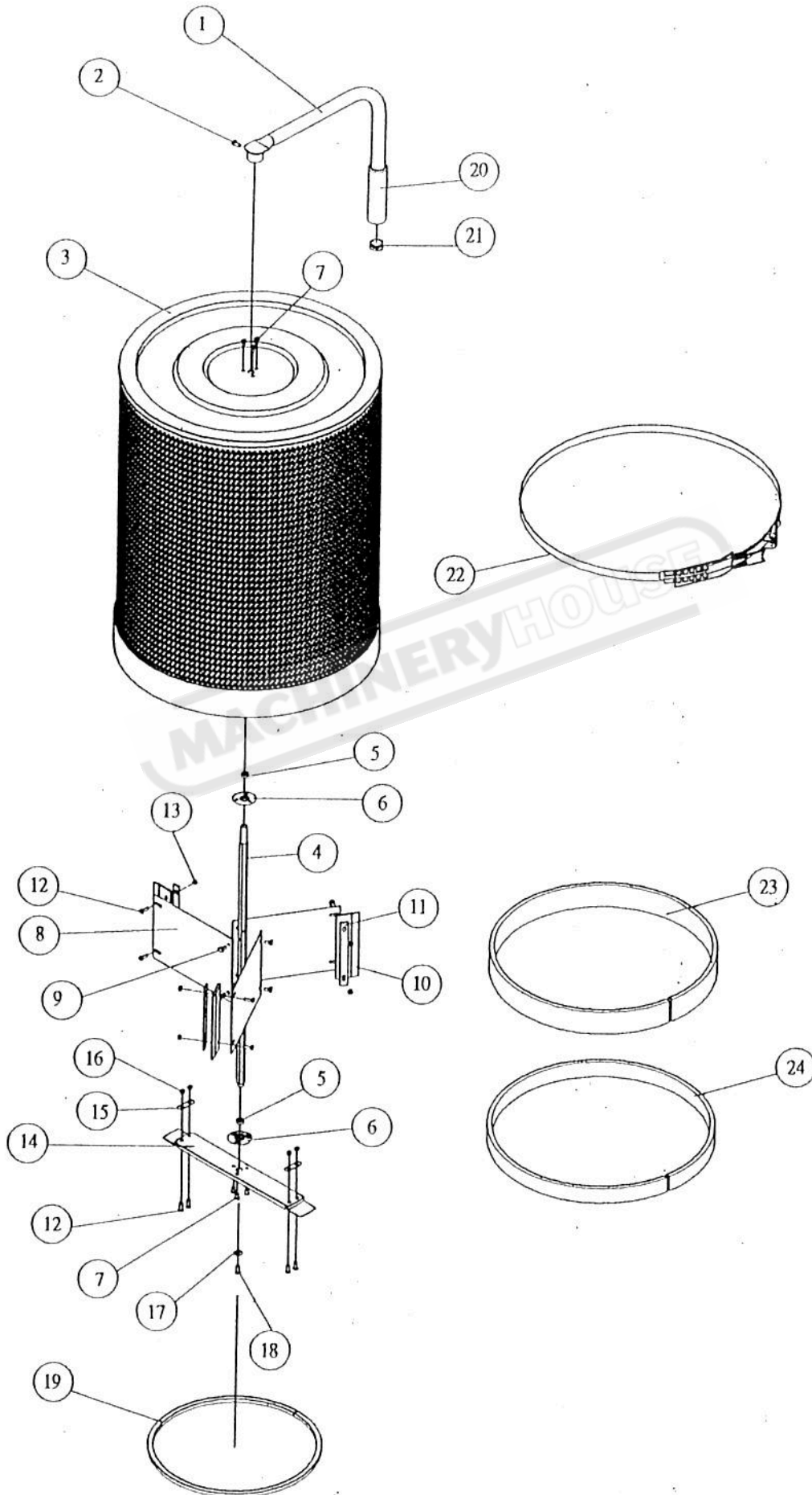
PARTS LIST

FC-10 Filter Cartridge



W328

EXPLODED DIAGRAM



PARTS LIST

NO.	Description	Specification	Q'ty
1	Handle		1
2	Hex. Head Screw	M6 x 16	1
3	Canister Filter		1
4	Hex. Spindle		1
5	Thread Bearing		2
6	Bearing Fixing plate		2
7	Half Round Head Screw	M5 x 10	6
8	Clip Board		3
9	Hex. Head Screw	M6 x 10	6
10	Rubber Flapper		3
11	Flapper Fixing Plate		3
12	Round Head Screw	M5 x 15	10
13	Self-lock nut	M5	6
14	Bottom Fixing Plate		1
15	Fixing Plate		2
16	Nut	M5	4
17	Flat Washer	1/4"	1
18	Round Head Screw	M6 x 10	1
19	Sponge	10 x 15	1
20	Sponge Sleeve	1" x 5" x 5"	1
21	Cap	1"	1
22	Belt Clamp		1
23	Foam	6 x 20	1
24	Foam	5 x 42	1