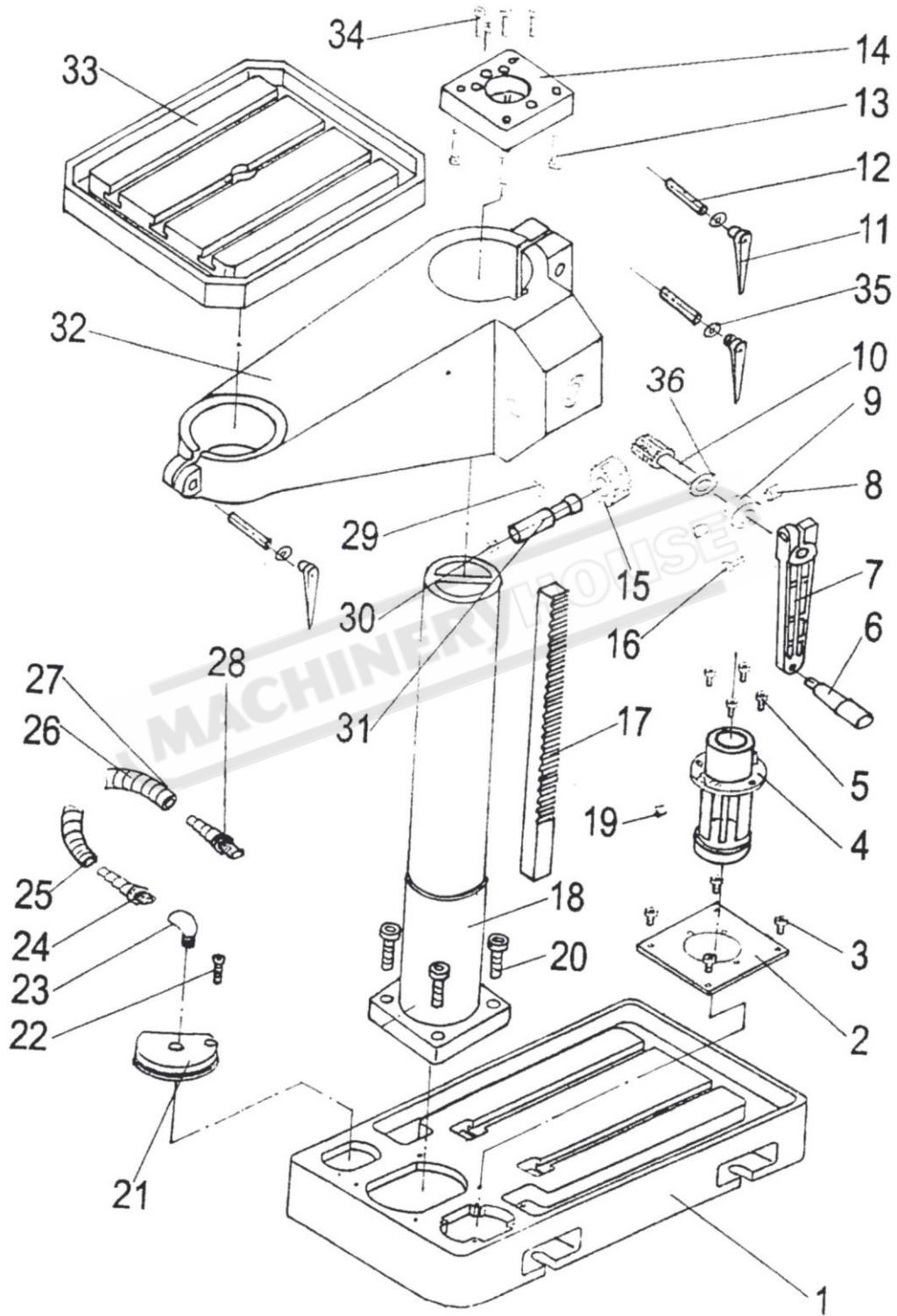


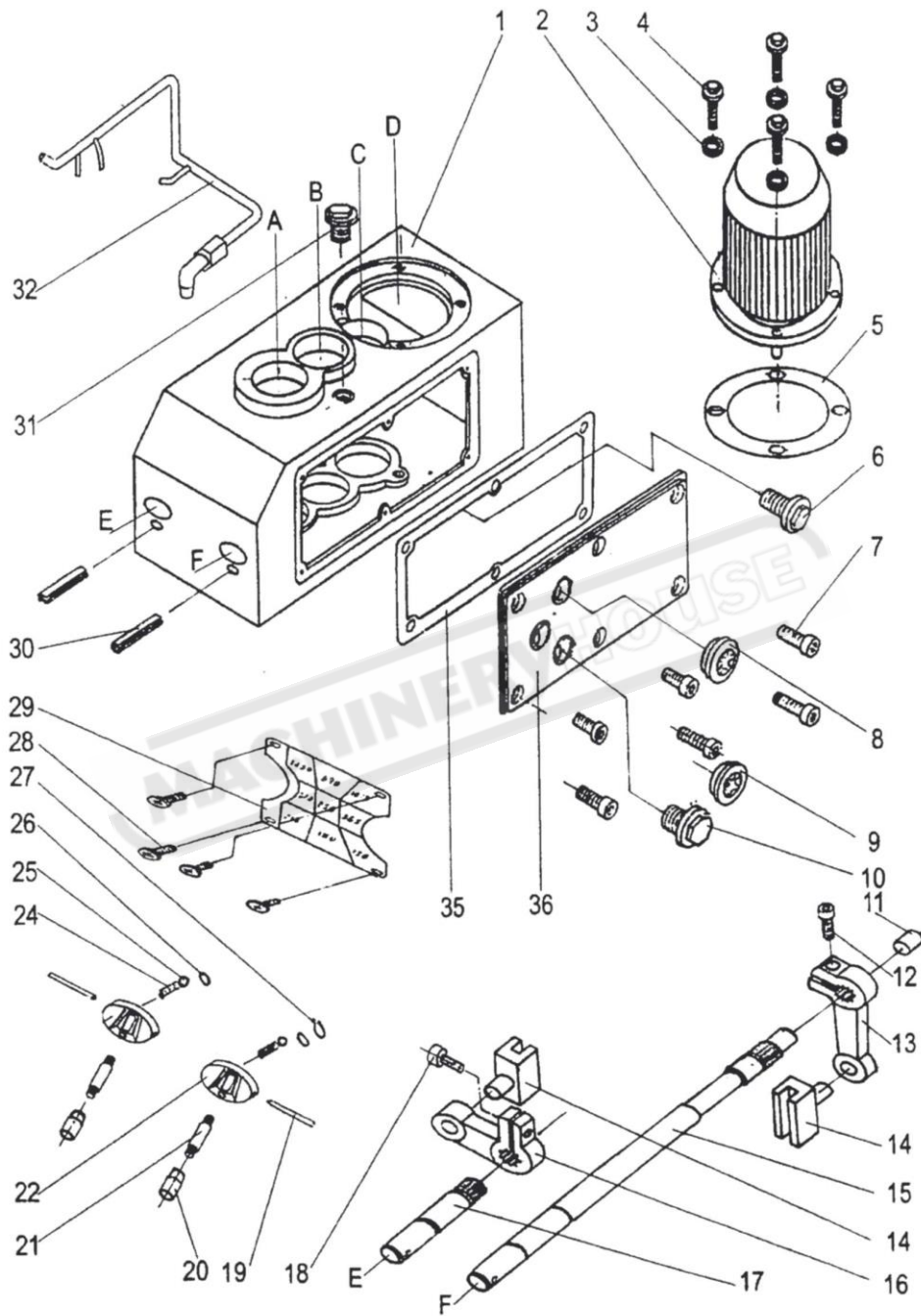
I .Table Support and Coolant



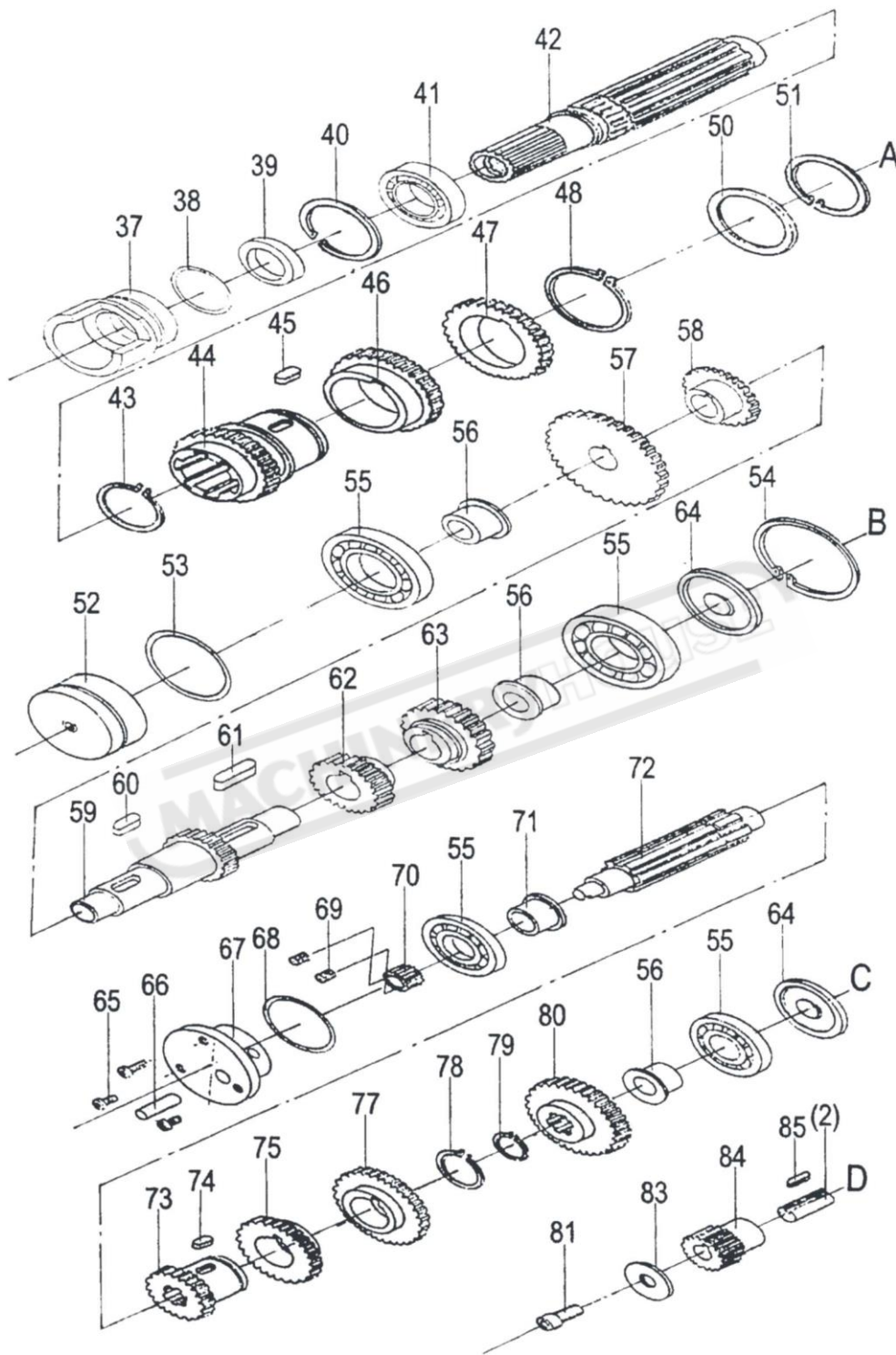
I .Table Support and Coolant

Index No.	Parts No.	Description	Qty.
1	Z5040.01-01	Base	1
2	Z5040.01-03	Plate	1
3	GB70/M6×12	Screw	4
4	DB-12	Coolant Pump	1
5	GB70/M5×8	Screw	4
6	GB4141.5/M10	Knob	1
7	Z5040.01-17	Handle	1
8	GB79/M10×10	Screw	2
9	Z5040.01-18	Clamp Collar	1
10	Z5040.01-19	Worm	1
11	Z52-2/A-M16×114	Knob	3
12	M16×85C	Handle Shaft	3
13	GB70/M14×55	Screw	4
14	Z5040.01-04	Plate	1
15	Z5040.01-11	Gear	1
16	BG70/M8×20	Screw	1
17	Z5040.01-20	Rack	1
18	Z5040.01-02	Column	1
19	G38-3A/Z3/8``	Plug	1
20	GB70/M14×55	Screw	4
21	Z5040.01-08	Cover Plate	1
22	GB70/M8×16	Screw	1
23	G32894/ /2``	Reducing Nipple	1
24	Z5040.01-09	Elbow	1
25	φ6×1.5×1300	Flexible Tube	1
26	DN23×1.520.2100.14	Flexible Tube	1
27	ZBJ51002/32	Coupling	4
28	Z5040.01-13	Tee	1
29	GB77/M8×12	Screw	1
30	GB1155/8	Oil Cup	1
31	Z5040.01-10	Gear Shaft	1
32	Z5040.01-07	Table Support	1
33	Z5040.01-06	Table	1
34	GB70/M14×55	Screw	4
35	GB97/16	Washer	3
36	GB/T301 51104	Bearing	1

II. Speed Box (1/2)



II .Speed Box (2/2)

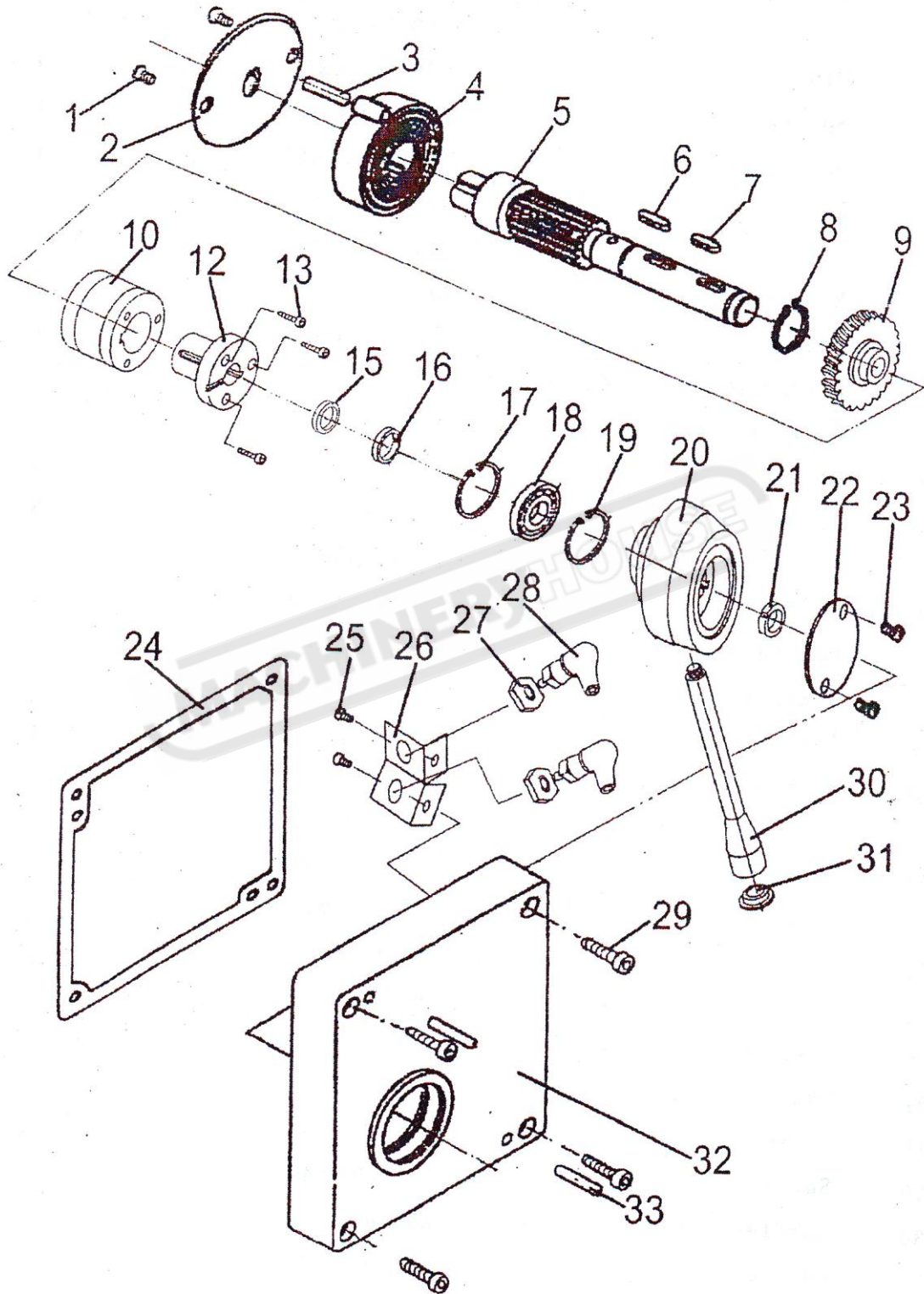


II .Speed Box

Index No.	Parts No.	Description	Qty.
1	Z5040.02-01	Gear Box	1
2	YD100L	Driving Motor	1
3	GB/T93/10	Washer	4
4	GB70/M10×35	Screw	4
5	Z5040.02-13	Gasket	1
6	G38-3A/Z3/8``	Drain Plug	1
7	GB70/M8×16	Screw	6
8	M27×1.5	Sight Glass	1
9	M27×1.5	Sight Hub	1
10	G38-2A/M27×1.5	Screw	1
11	Z5040.02-38	Plug	1
12	GB70/M8×25	Screw	1
13	Z5040.02-37	Shift Lever	1
14	Z5040.02-39	Shift Fork	2
15	Z5040.02-36	Shaft	1
16	Z5040.02-40	Shift Lever	1
17	Z5040.02-41	Shaft	1
18	GB70/M8×25	Screw	1
19	Z5040.02-05	Pin	2
20	GB4141.14/BM10×50	Knob	2
21	BM10×50	Handle	2
22	Z5040.02-04	Handle	2
24	GB2089/1×8×20	Spring	2
25	GB308/9.35	Steel Ball	2
26	GB3452.1/15×2.65	O-Ring	2
27	GB894.1/20	Retainer Ring	1
28	GB67/M3×6	Screw	4
29	Z5040.02-08	Plate	4
30	GB879/5×12	Pin	2
31	G38-3A/Z3/8``	Drain Plug	2
32	Z5040.02-42	Lubrication Tube	1
35	Z5040.02-10	Gasket	1
36	Z5040.02-03	Speed Box Lover	1
37	Z5040.02-09	Flange	1
38	GB3452.1/61.5×3.55	O-Ring	1
39	GB9877.1/FB405508	Spacer	1
41	GB276 6008	Bearing	2

42	Z5040.02-22	Shaft	1
43	GB894.1/48	Retainer Ring	1
44	Z5040.02-21	Gear	1
45	GB1567/8×5×36	Key	1
46	Z5040.02-20	Gear	1
47	Z5040.02-23	Gear	1
48	GB894.1/60	Retainer Ring	1
50	Z5040.02-06	Flange	1
51	GB70/M5×16	Retainer Ring	5
52	Z5040.02-25	Plug	1
53	GB3452.1/54.5×3.55	O-Ring	1
55	GB276/206	Bearing	4
56	Z5040.02-15	Sleeve	3
57	Z5040.02-26	Gear	1
58	Z5040.02-24	Gear	1
59	Z5040.02-19	Gear Shaft	1
60	GB1567/8×5×36	Key	1
61	GB1567/8×5×50	Key	1
62	Z5040.02-18	Gear	1
63	Z5040.02-17	Gear	1
64	Z5040.02-07	Flange	2
65	GB70/M6×16	Screw	3
66	GB119/B10×30	Pin	1
67	Z5040.02-27	Flange	1
68	GB3452.1/56×2.65	O-Ring	1
69	GB879/2.5×10	Pin	2
70	Z5040.02-30	Gear	2
71	Z5040.02-29	Sleeve	1
72	Z5040.02-32	Shaft	1
73	Z5040.02-31	Gear	1
74	GB1567/6×4×36	Key	1
75	Z5040.02-33	Gear	1
77	Z5040.02-34	Gear	1
78	GB894.1/35	Retainer Ring	1
79	GB894.1/25	Retainer Ring	1
80	Z5040.02-16	Gear	1
81	GB70/M6×10	Screw	1
83	GB5287/6	Washer	1
84	Z5040.02-11	Gear Shaft	1
85	GB1567/C6×4×28	Key	1

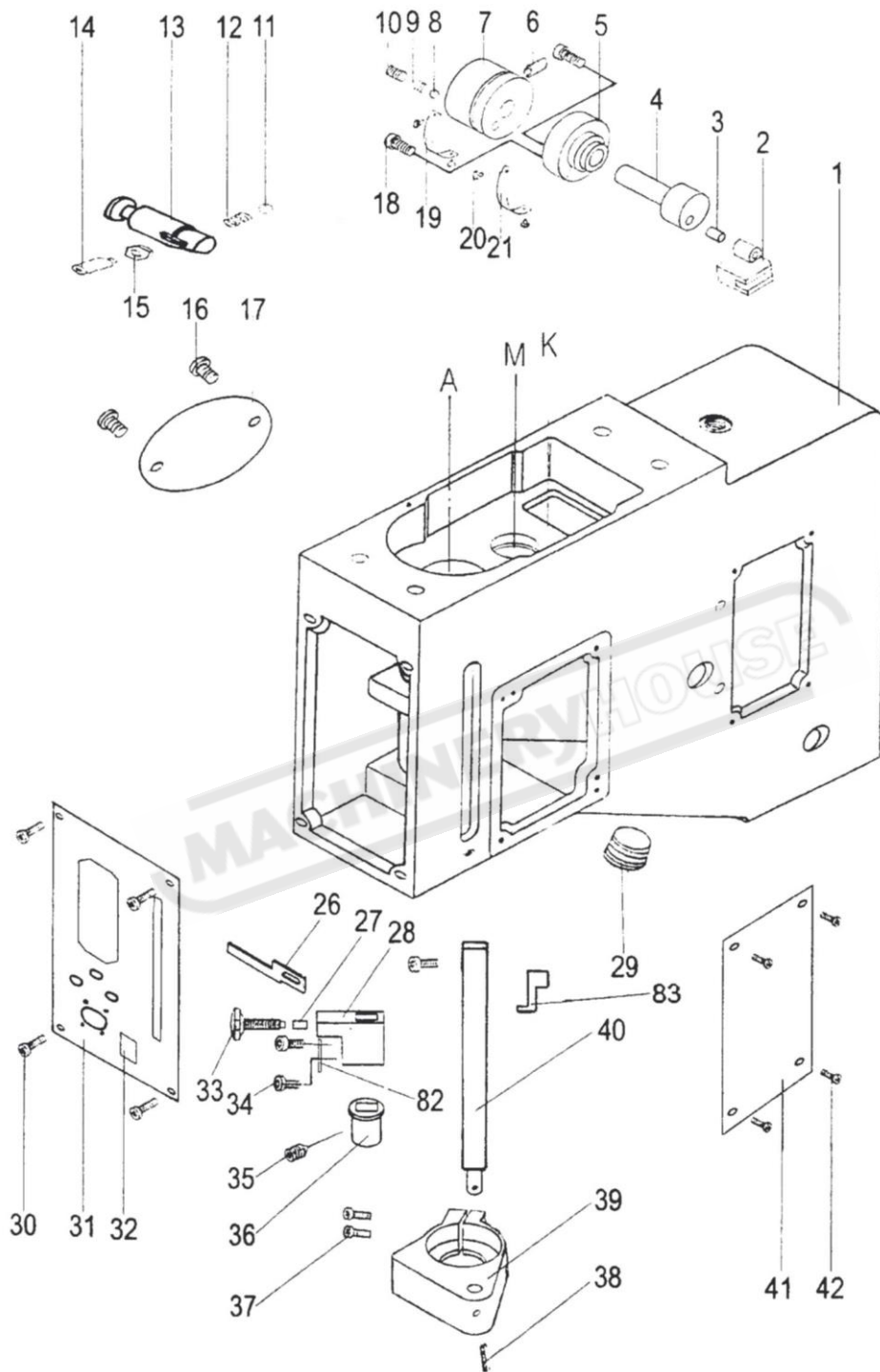
III.Feed Box



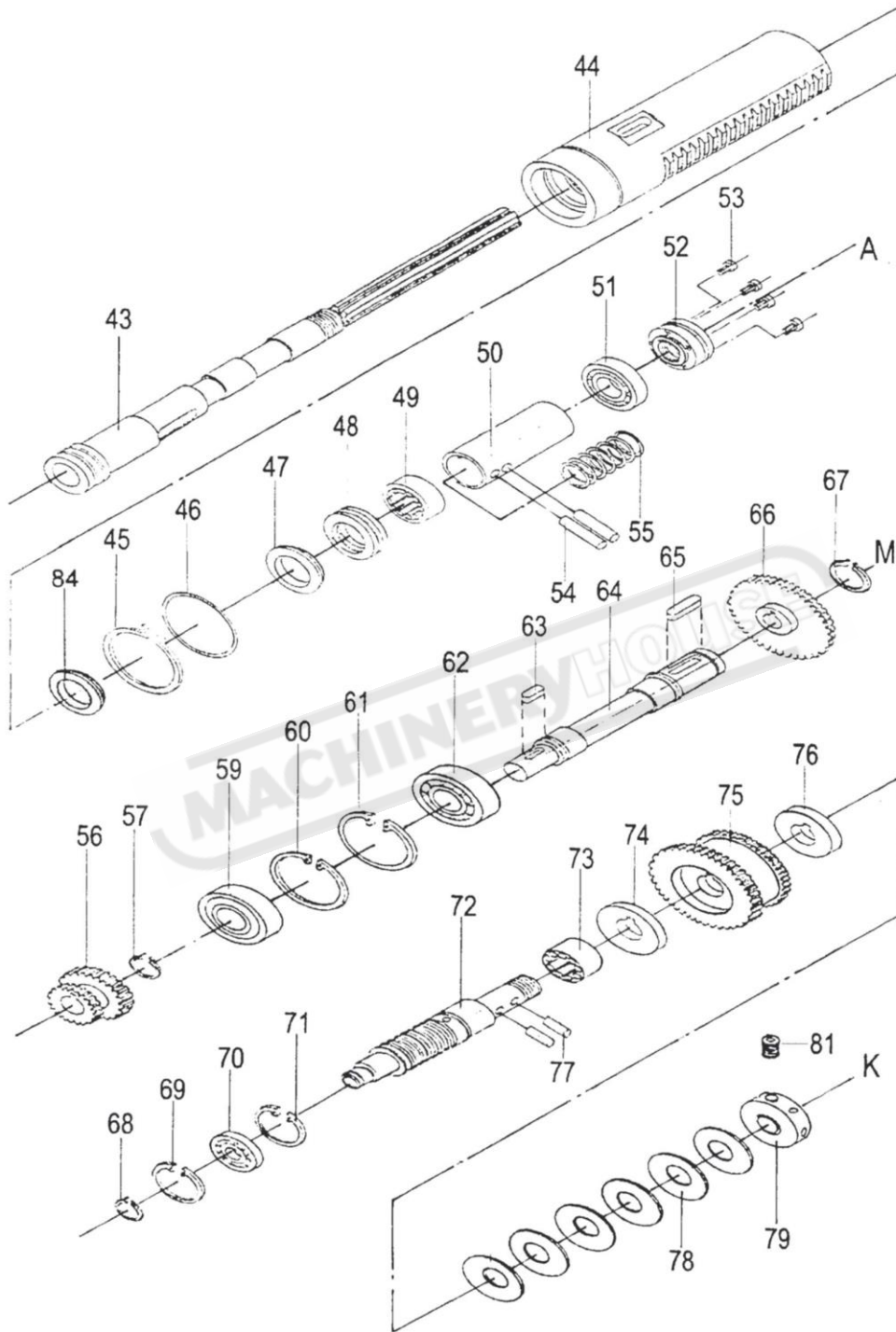
III.Feed Box

TmdeNo	Parts No	Desvription	Qty
1	Screw	GB823/M6×12	2
2	Plate	Z5040-03-18A	1
3	Pin	GB879/6×50	1
4	Spring	Z5040-03-42A	1
5	Gear Shaft	Z5040-03-43A	1
6	Key	GB/T1096 8×25	1
7	Key	GB/T1096 8×25	1
8	Retainer Ring	GB/T894.1 25	1
9	Worm gear	Z5040-03-45A	1
10	Electromagnet ic Tooth Clutches With Positioning		1
12	Collar		1
13	Scyew	GB70/M4×16	3
15	Collar	Z5040-03-75A	1
16	Collar	Z5040-03-76A	1
17	Retainer Ring	GB893.1/47	1
18	Bearing	GB276/7000105	1
19	Retainer Ring	GB893.1/47	1
20	Handle	Z5040-03-49A	1
21	Nut	GB/T812 M24×1.5	1
22	Plate	Z5040-03-77A	1
23	Screw	GB/T818 M4×6	2
24	Gasket	Z5040-03-46A	1
25	Screw	GB/T70.1 M5×8	2
26	Bracket	Z5040-03-74A	1
27	Nut		2
28	Brush		2
29	Screw	GB70/M8×40	4
30	Handleshaft	Z5040-03-06A	3
31	Handle	Z5040-03-73A	3
32	Cover	Z5040-03-50A	1
33	Pin	GB879/8×45	2

IV.Headstock (1/2)



IV.Headstock (2/2)



IV.Headstock

Index No.	Parts No.	Description	Qty.
1	Z5040.03-01	Headstock	1
2	Z5040.03-65	Shift Fork	1
3	GB119/10×25	Pin	1
4	Z5040.03-66	Shift Lever	1
5	Z5040.03-70	Handle	1
6	GB79/M8×12	Screw	1
7	Z5040.03-69	Handle	1
8	GB308/M8×8	Ball	1
9	GB2089/1×5×25	Spring	1
10	GB77/M8×8	Screw	1
11	GB308/8	Ball	1
12	GB2089/0.8×5×15	Spring	1
13	Z5040.03-64	Shaft	1
14	GB79/M8×25	Screw	1
15	GB6172/M8	Nut	1
16	GB823/M6×8	Screw	2
17	Z5040.03-17	Plate	1
18	GB70/M6×20	Pin	2
19	Z5040.03-68	Plate	1
20	GB827/2×4	Pin	4
21	Z5040.03-67	Index Ring	1
26	Z5040.03-61	Slate Plate	1
27	GB119/8×20	Pin	1
28	Z5040.03-60	Bracket	1
29	GB38/3A/Z3/8`	Plug	1
30	GB70/M6×8	Screw	4
31	Z5040.03-04	Cover Plate	1
32	Z5040.03-02	Plate	1
33	Z5040.03-15	Handle	1
34	GB70/M5×6	Screw	2
35	GB78/M6×12	Screw	1
36	Z5040.03-63	Collar	1
37	GB70/M8×45	Screw	2
38	GB78/M6×12	Pin	1
39	Z5040.03-40	Holder	1
40	Z5040.03-39	Shaft	1
41	Z5040.03-12	Cover plate	1

42	GB823/M6×8	Screw	4
43	Z5040.03-28	Spindle	1
44	Z5040.03-27	Quill	1
45	GB894.1/75	Retainer Ring	1
46	GB1235/73×5.3	O-Ring	1
47	Z5040.03-41	Washer	1
48	GB301/D8108	Bearing	1
49	GB/T5801/RUA49/32	Bearing	1
50	Z5040-03-26	Small Quill	1
51	GB279/180106G	Bearing	1
52	Z5040.03-29	Clamp Nut	1
53	GB70/M5×12	Screw	2
54	GB119/12×45	Pin	2
55	Z5040.03-25	Spring	1
56	Z5040.03-38	Gear	1
57	GB894.1/25	Retainer Ring	1
59	GB279/180205	Bearing	1
60	GB893.1/52	Retainer Ring	1
61	GB893.1/52	Retainer Ring	1
62	GB279/180205	Bearing	1
63	GB1096/A6×28	Key	1
64	Z5040.03-31	Shaft	1
65	GB1096/A6×12	Key	1
66	Z5040.03-30	Gear	1
67	GB894.1/25	Retainer Ring	1
68	GB894.1/15	Retainer Ring	1
69	GB893.1/32	Retainer Ring	1
70	GB279/180102	Bearing	1
71	GB893.1/32	Retainer Ring	1
72	Z5040.03-57	Worm	1
73	GB290/46941/25	Bearing	1
74	Z5040.03-54	Collar	1
75	Z5040.03-53	Gear	1
76	Z5040.03-54	Collar	1
77	GB119/6×8	Pin	2
78	GB1972/45×24×1.75	Spring	6
79	Z5040.03-56	Clamp Nut	1
81	GB77/M8×8	Screw	1
82	Z5040.03-59	Plate	1
83	Z5040.03-58	Plate	1
84	Z5040.03-24	Washer	1