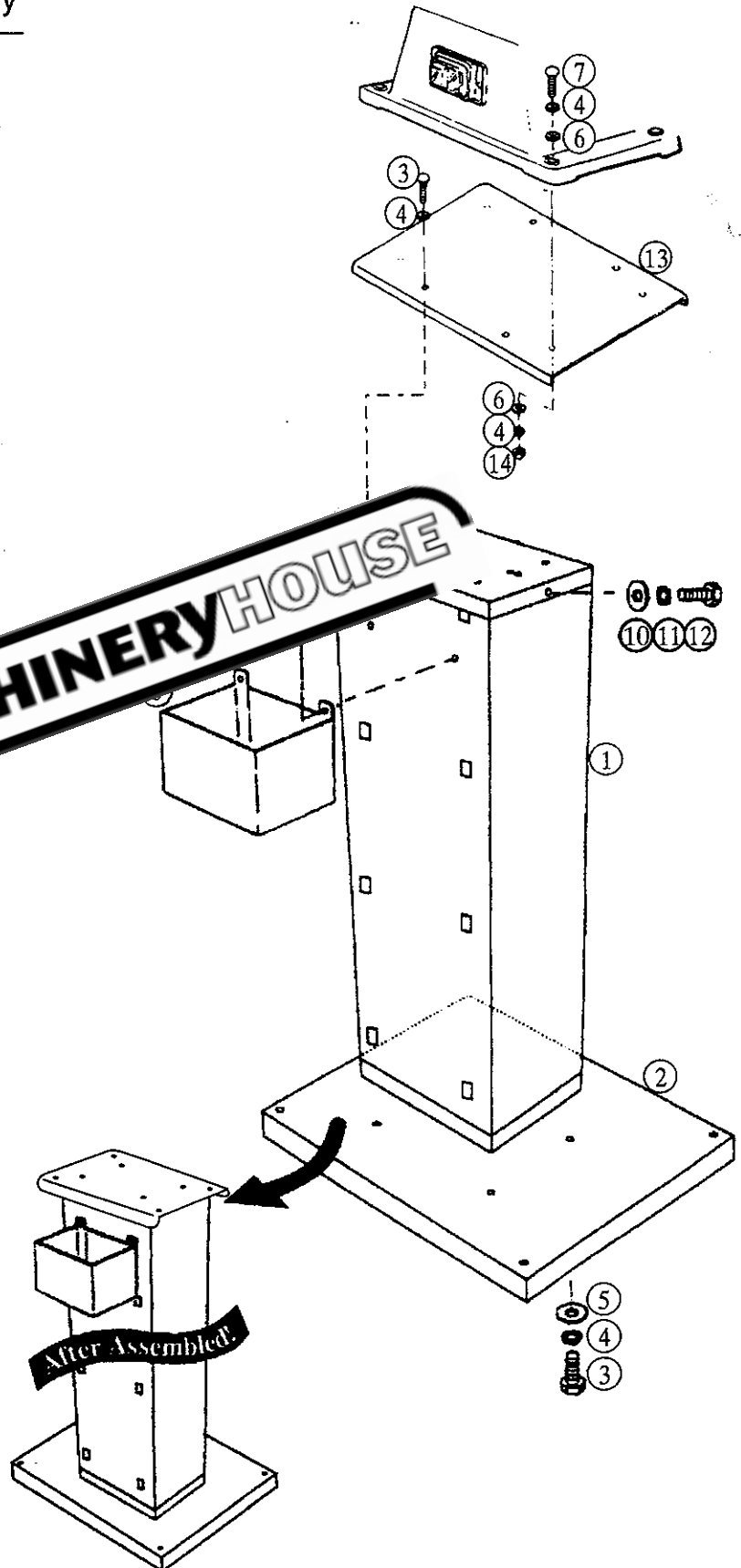


Cabinet Workstand (Optional)

Unpacking and checking list

Ref. No.	Parts Name /Description	Q'ty
1	Stand	1
2	Bottom Plate	1
3	Hex Bolt (M8x20L)	8
4	Spring Washer(M8)	12
5	Washer (M8x30x3t)	4
6	Washer (M8x18x2t)	8
7	Hex Bolt (M8x40L)	4
8	Cooler Boxer	1
9	Screw (M6x16)	2
10	Washer (M6x16x2t)	6
11	Spring Washer (M6)	4
12	Hex Bolt (M6x12L)	4
13	Stand Top	1
14	Hex Nut(M8)	4

MACHINERYHOUSE



EC DECLARATION OF CONFORMITY

According to the following EC Directive

-Machinery Directive: 98/37/EEC

-EMC Directive : 89/336/EEC, as amended by 92/31/EEC, and 93/68/EEC

-Low-Voltage Directive: 73/23/EEC, as amended by 93/68/EEC

The undersigned, Morgan Liu, representing Shine Tool Electric Co., Ltd., No.182, Sec.3, Ming Sheng Rd, Ta Ya, Taichung, Taiwan, R.O.C. manufacturer, declares that the machine described hereafter:

Grinder;

Model: GR1001, 1003; GR1203;

Provided that it is used and maintained in accordance with the generally accepted codes of good practice and the recommendations of the instructions manual, meets the essential safety and health requirements of the Machinery Directive, EMC Directive and Low Voltage Directive.

For the most specific risks of this machine, safety and compliance with the essential requirements of the Directive has been based on elements of:

-the European Standard EN292-1: 1991-Safety of Machinery-Basic concepts, general principles for design.

Part 1: Basic terminology, methodology.

-the European Standard EN292-2: 1991-Safety of Machinery-Basic concepts, general principles for design.

Part 2: Technical principles and specifications.

-the European Standard EN60204-1: 1994-Safety of machinery-Electrical equipment of machines.

Part 1: General requirements.

-the European Standard EN55014: 1992- limits and methods of measurement of radio disturbance characteristics of household electrical appliances, portable tools and similar apparatus.

-the European Standard EN55104: 1994- immunity requirements for household appliances tools and similar apparatus.

-the European Standard EN50081-1: 1994-Generic emission standard.

Part 1: Residual, commercial and light industry.

-the European Standard EN50082-1: 1994-Generic immunity standard.

Part 1: Residual, commercial and light industry.

Date: JUL 30 2002

Signature: *Morgan Liu*

Qualification: Directeur