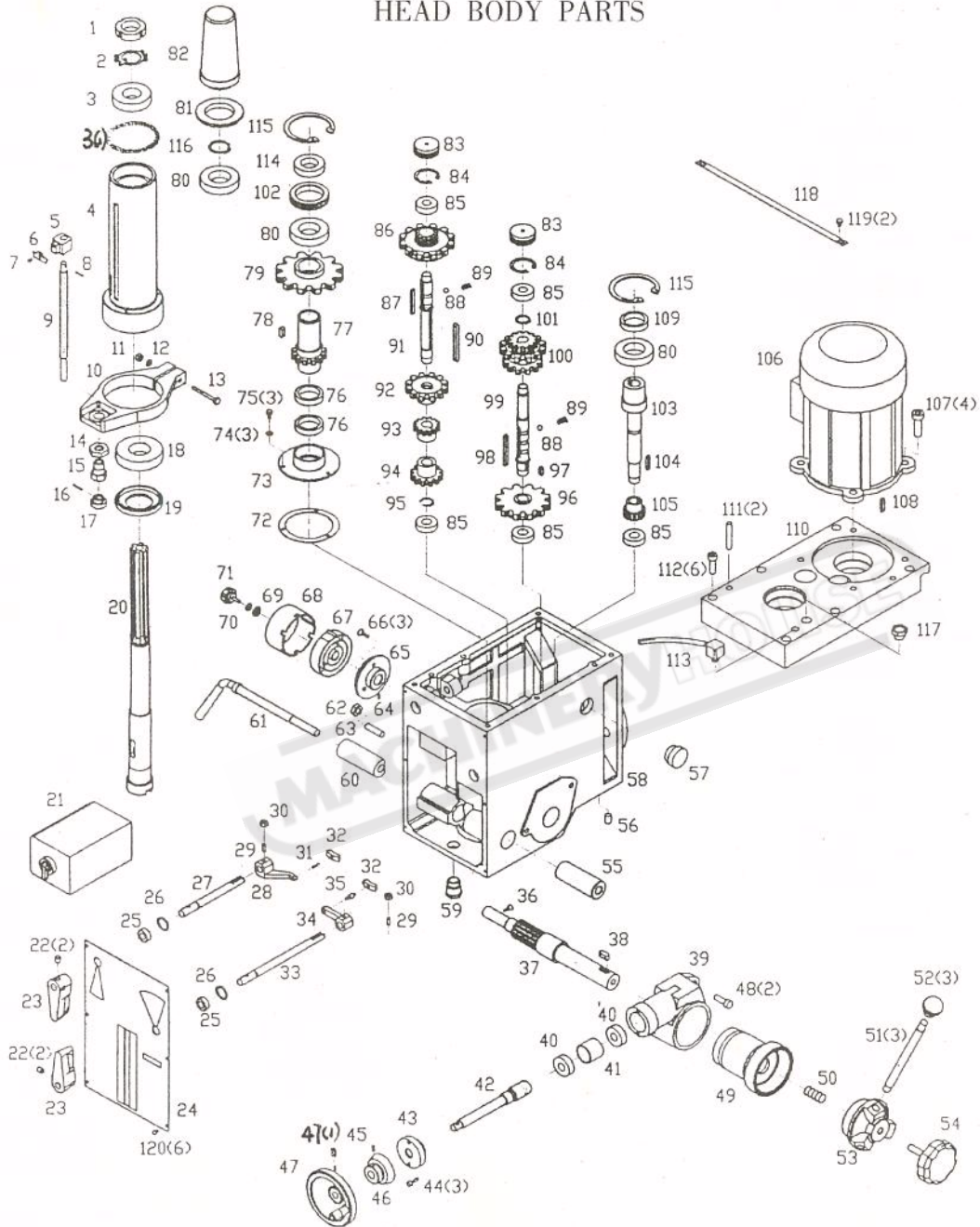
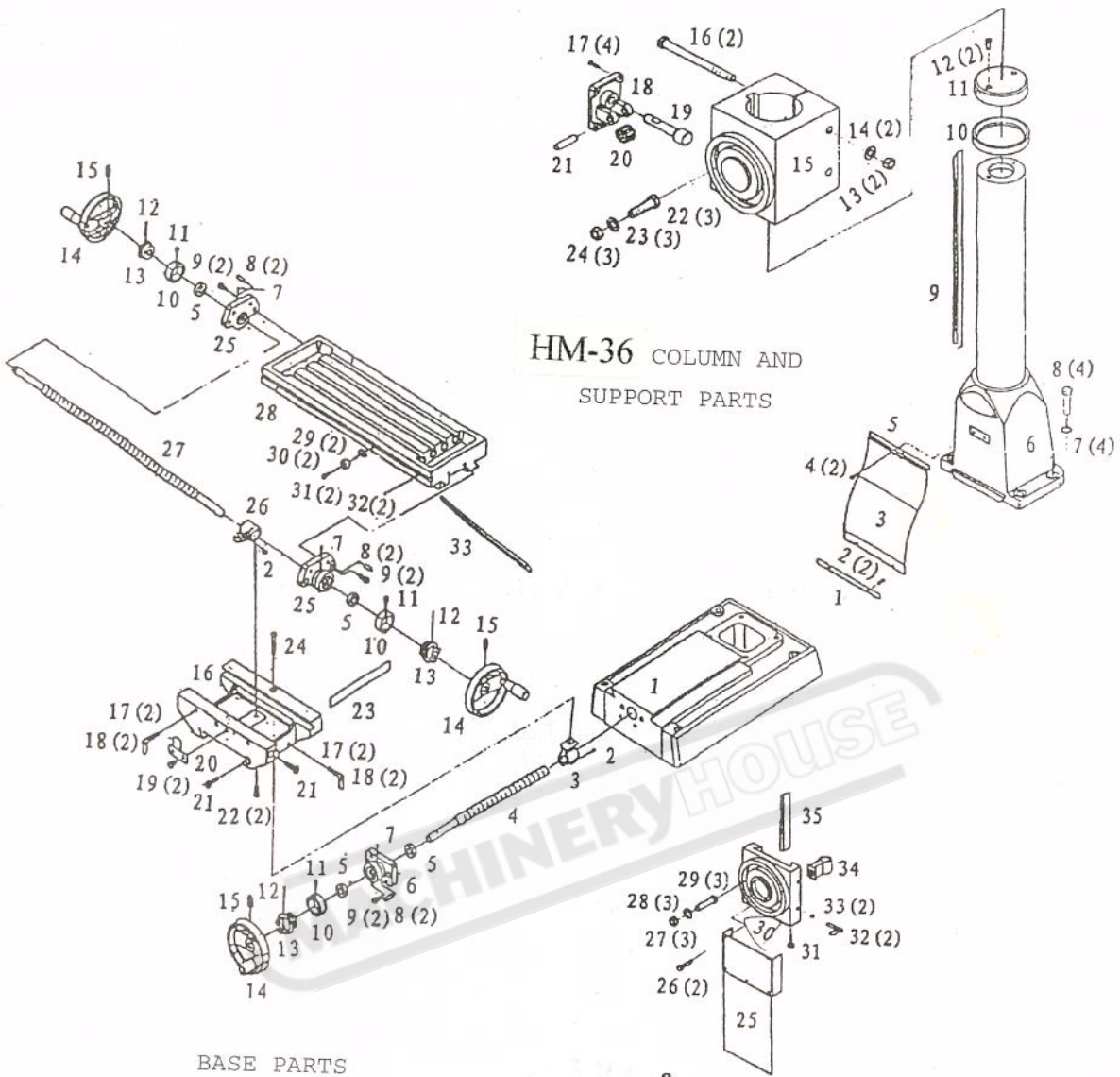


### HEAD BODY PARTS



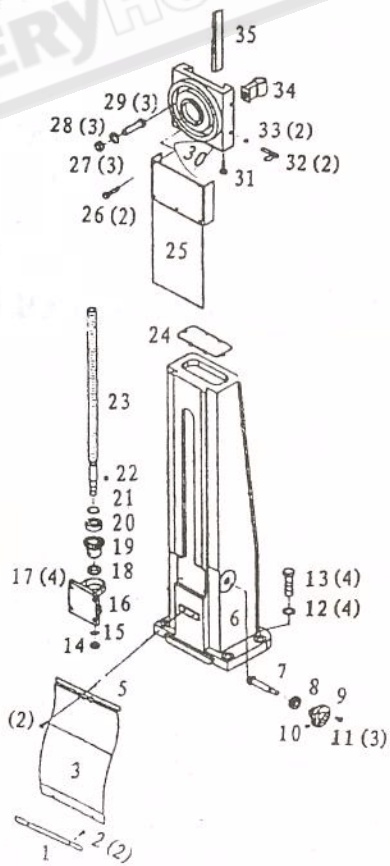
## HM-36 ), ZX7040. HM-46 HEAD BODY

1	lock nut	41	separating ring	81	arbor bolt cover base
2	lock washer	42	worm shaft	82	arbor bolt cover
3	ball bearing	43	worm cover	83	cap
3(1)	washer	44	screw	84	retainging ring
4	sleeve	45	screw	85	ball bearing
5	fixed bolt	46	graduation plate	86	gear
6	scale-board	47	handle wheel	87	key
7	screw	47(1)	screw	88	steel ball
8	pin	48	screw	89	spring
9	graduated rod	49	worm gear	90	key
10	feed base	50	spring	91	shaftIII
11	nut	51	handle rod	92	gear
12	washer	52	handle ball	93	gear
13	screw	53	handle body	94	gear
14	nut	54	big ripple handle	95	retainging ring
15	support	55	fixed tight collar	96	gear
16	pin	56	oil cover	97	key
17	knob	57	oil pointer	98	key
18	ball bearing	58	head body	99	shaft II
19	bearing cup	59	fixed nut	100	gear
20	spindle	60	fixed tight collar	101	retainging ring
21	electric box	61	handle rod	102	separating ring
22	screw	62	nut	103	motor shaft
23	speed lever	63	screw	104	key
24	name plate	64	pin	105	gear
25	oill seal	65	spring base	106	motor
26	retainging ring	66	washer	107	screw
27	lever shaft(left)	67	spring plate	108	key
28	lever(left)	68	spring cap	109	oil seal
29	screw	69	washer	110	head body cover
30	nut	70	washer	111	pin
31	pin	71	small ripple handle	112	screw
32	lever bracket	72	airtight ring	113	pipe radiator
33	lever shaft(right)	73	airtight base	114	oil seal
34	lever(right)	74	washer	115	retainging ring
35	pin	75	screw	116	retainging ring
36	screw	76	oil seal	117	oil cap
37	pinion shaft	77	gear	118	degree-meter
38	key	78	key	119	screw
39	feed cover	79	gear	120	screw
40	ball bearing	80	ball bearing		



BASE PARTS

**HM-46**  
COLUMN AND SUPPORT





**BASE PARTS**

1 base	12 pin	23 gib strip
2 screw	13 dial clutch	24 screw
3 guide screw nut	14 handwheel	25 right support
4 protect board	15 screw	26 guide screw nut
5 ball bearing	16 slip saddle	27 guide screw
6 guide screw support	17 steel ball	28 table
7 oil cup	18 lock handle	29 ladder-shaped nut
8 pin	19 screw	30 stop lump
9 screw	20 stop lump	31 screw
10 graduation plate	21 gib screw nut	32 oil cup
11 screw	22 bolt	33 gib strip screw

**HM-36 COLUMN AND SUPPORT PARTS**

1 protect board slice	9 rack	17 screw
2 bolt	10 link	18 bracket
3 protect board	11 column lid	19 worm shaft
4 bolt	12 washer	20 gear
5 protect board fixed	13 nut	21 shaft
6 column	14 washer	22 bolt
7 washer	15 toraise and lower	23 washer
8 bolt	16 bolt	24 nut

**HM-46 ZX7045 COLUMN AND SUPPORT PARTS**

1 protect board slice	13 bolt	24 column nut
2 bolt	14 round nut	25 artidust plate
3 protect board	15 tab washer for round nut	26 screw
4 bolt		27 nut
5 protect board fixed	16 head raise bracket	28 washer
6 column	17 screw	29 boit
7 gear shaft	18 ball bearing	30 toruise and lower
8 ball bearing	19 gear	31 screw
9 head raise bracket	20 ball bearing	32 lock handle
10 oil cup	21 retainger ring	33 steel ball
11 screw	22 key	34 column nut
12 washer	23 guide screw	35 grib strip