

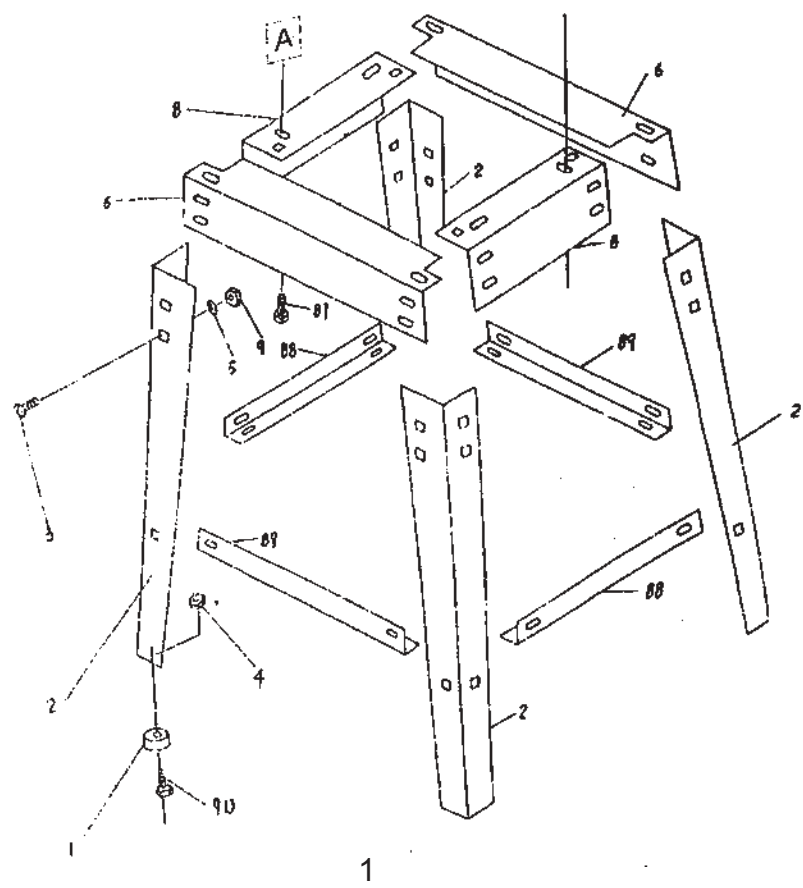
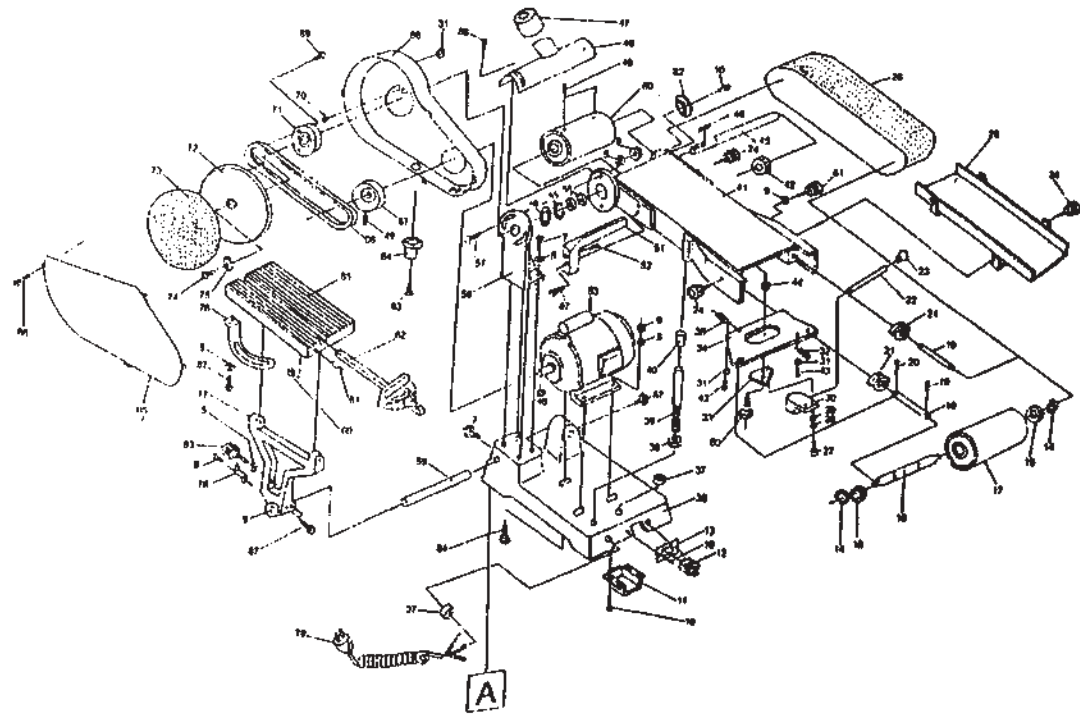
L107

L-69A

6/9

CHINA

*Assembly Diagram and Parts List*



**SPARE PARTS LIST:**

Part No.	Description
1#	RUBBER WASHER
2#	STAND
3#	BOLT M8X12
4#	NUT M6
5#	WASHER
6#	STAND BRACKET
7#	BOLT M8X30
8#	STAND BRACKET
9#	NUT M8
10#	SCREW M4X8
11#	SWITCH BOX
12#	SWITCH
13#	SWITCH PLATE
14#	RETAINING RING
15#	BALL BEARING
16#	ROLLER SHAFT
17#	IDLER ROLLER
18#	ROLLER ADJUST BAR
19#	PIN
20#	SCREW M5X16
21#	SPRING
22#	ADJUST BAR
23#	KNOB
24#	TIGHT KNOB
25#	LOWER COVER
26#	SAND BELT
27#	INNER HEX.BOLT M5X16
28#	WASHER
29#	SPRING WASHER
30#	ADJUST BLOCK
31#	NUT M4
32#	SPRING
33#	ADJUST PLATE
34#	ADJUST PLATE
35#	SPRING
36#	BASE
37#	CABLE CLAMP
38#	NUT M16
39#	SUPPORT BAR
40#	RUBBER SLEEVE
41#	SAND BELT FRAME
42#	BALL BEARING
43#	SCREW M4X12
44#	WASHER
45#	DRIVING ROLLER SHAFT

Part No.	Description
46#	KEY
47#	OUTLET
48#	ROLLER COVER
49#	SCREW M8X12
50#	DRIVING ROLLER
51#	BACK STOP
52#	PIN
53#	MOTOR
54#	BALL BEARING
55#	RETAINING RING
56#	WASHER
57#	SCREW
58#	BRACKET
59#	TABLE SUPPORT BAR
60#	SCREW M6
61#	SCREW M6X30
62#	MITER GAUGE
63#	SCREW
64#	CONNECTOR ***
65#	TABLE
66#	BELT
67#	MOTOR PULLEY
68#	PULLEY COVER
69#	SCREW
70#	SCREW
71#	PULLEY
72#	SAND PAPER
73#	SAND PAPER
74#	SCREW M6X10
75#	WASHER
76#	ANGLE GAUGE
77#	TABLE SUPPORT BRACKET
78#	POINTER
79#	PLUG
80#	BOLT
81#	ADJUST KNOB
82#	COVER
83#	KNOB
84#	BOLT
85#	PULLEY COVER
86#	SCREW M4X16
87#	BOLT M8X16
88#	STAND BRACKET
89#	STAND BRACKET
90#	HEX. BOLT