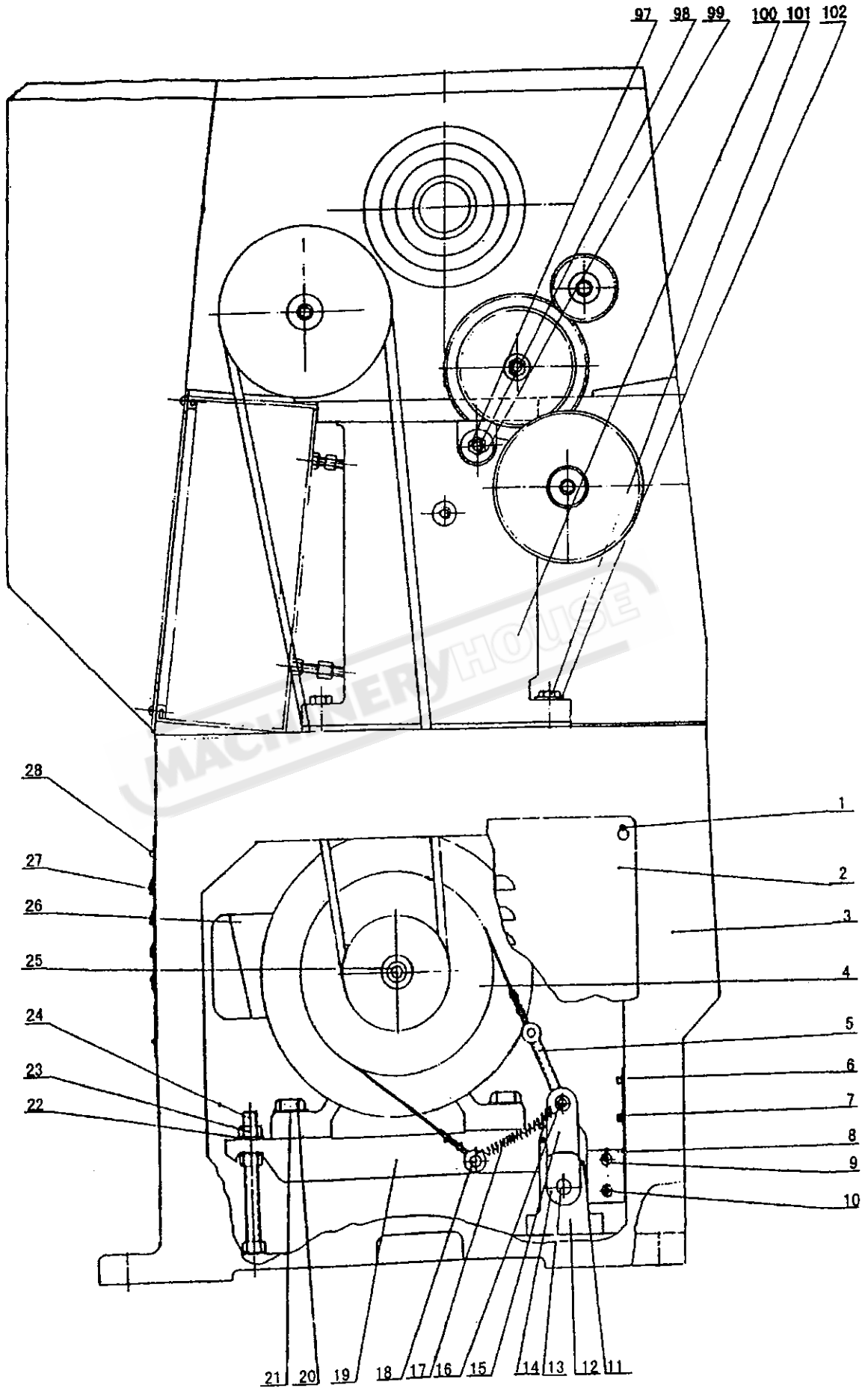
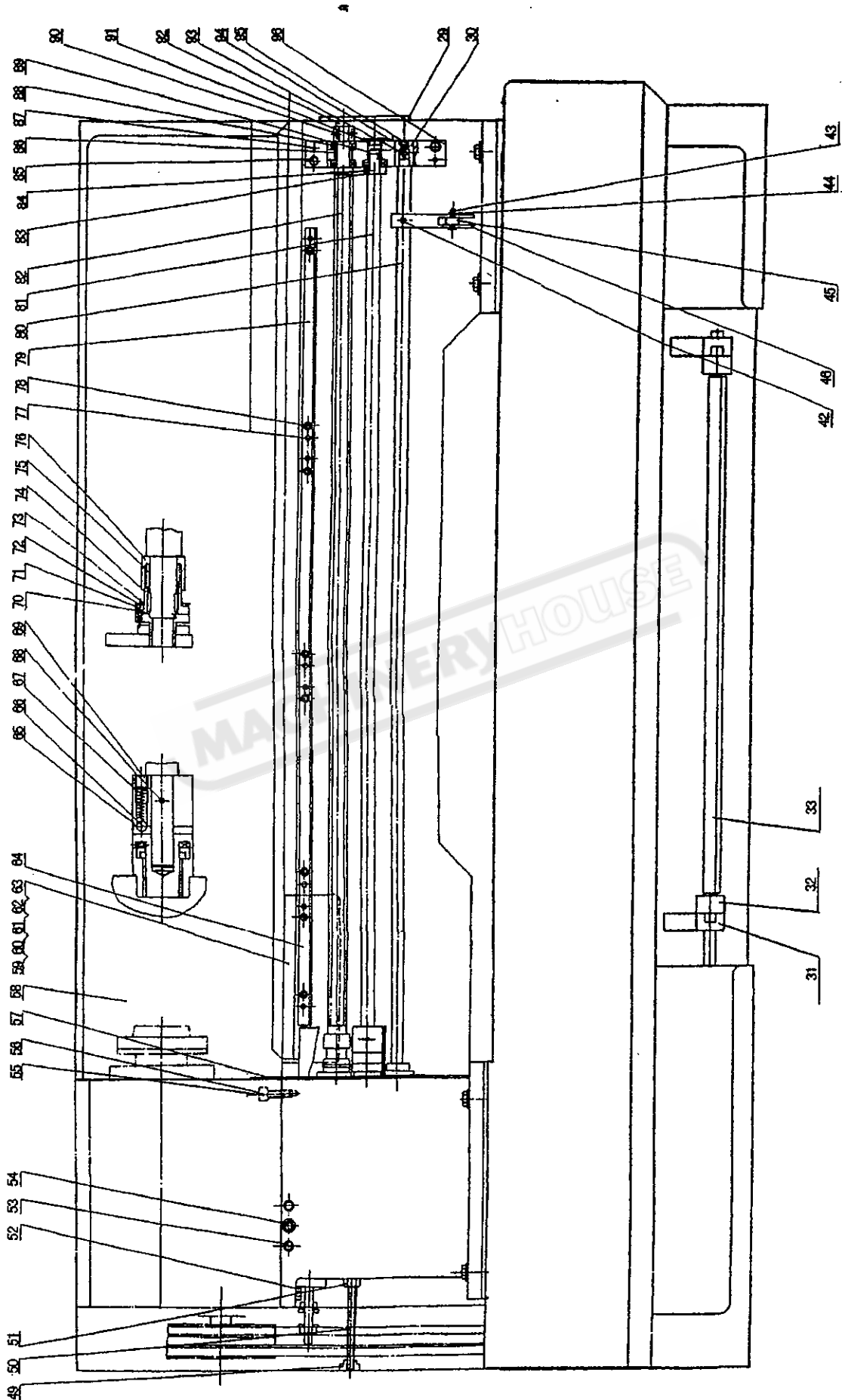


BED ASSEMBLY (1/2)



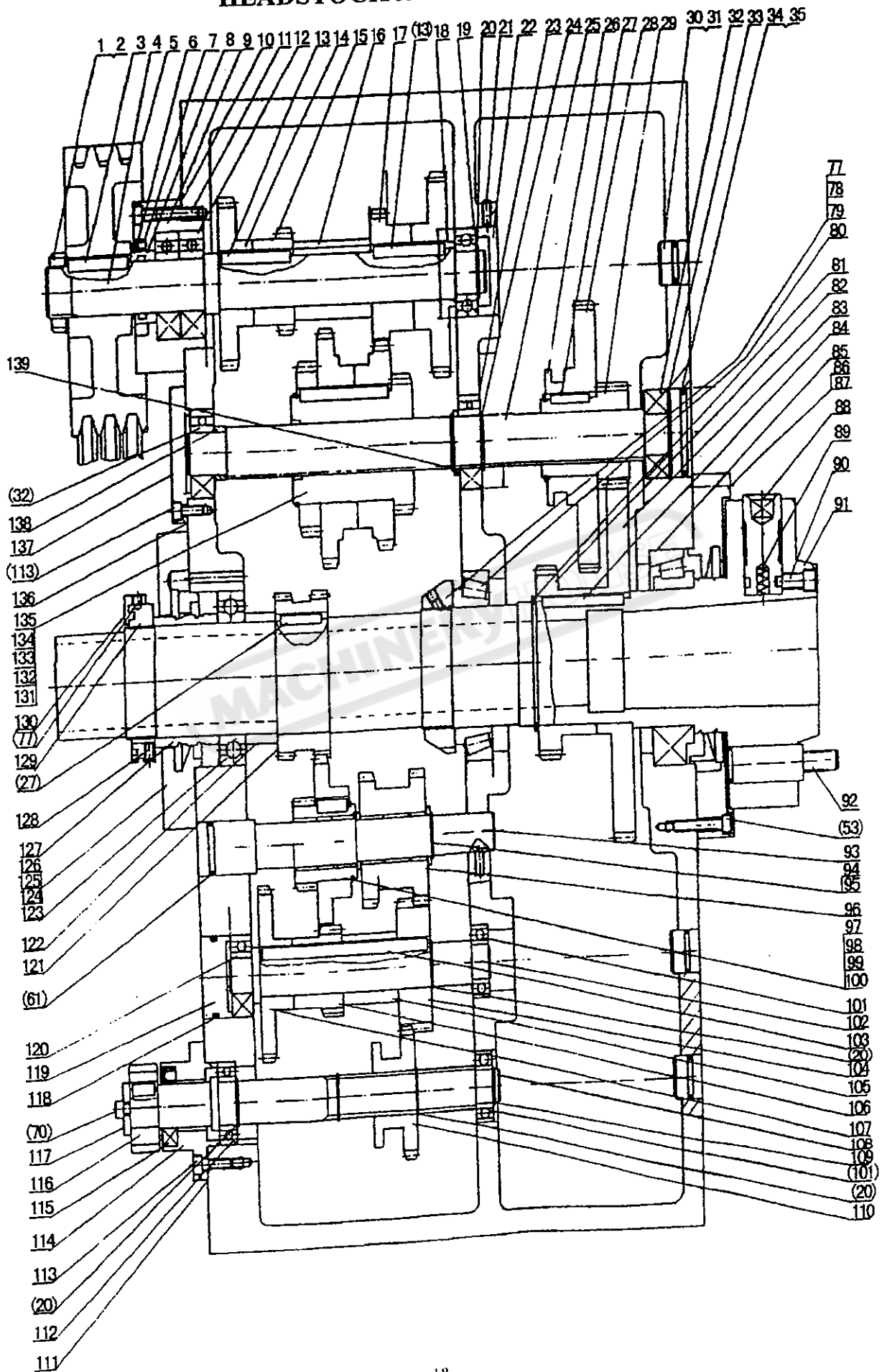
BED ASSEMBLY (2/2)



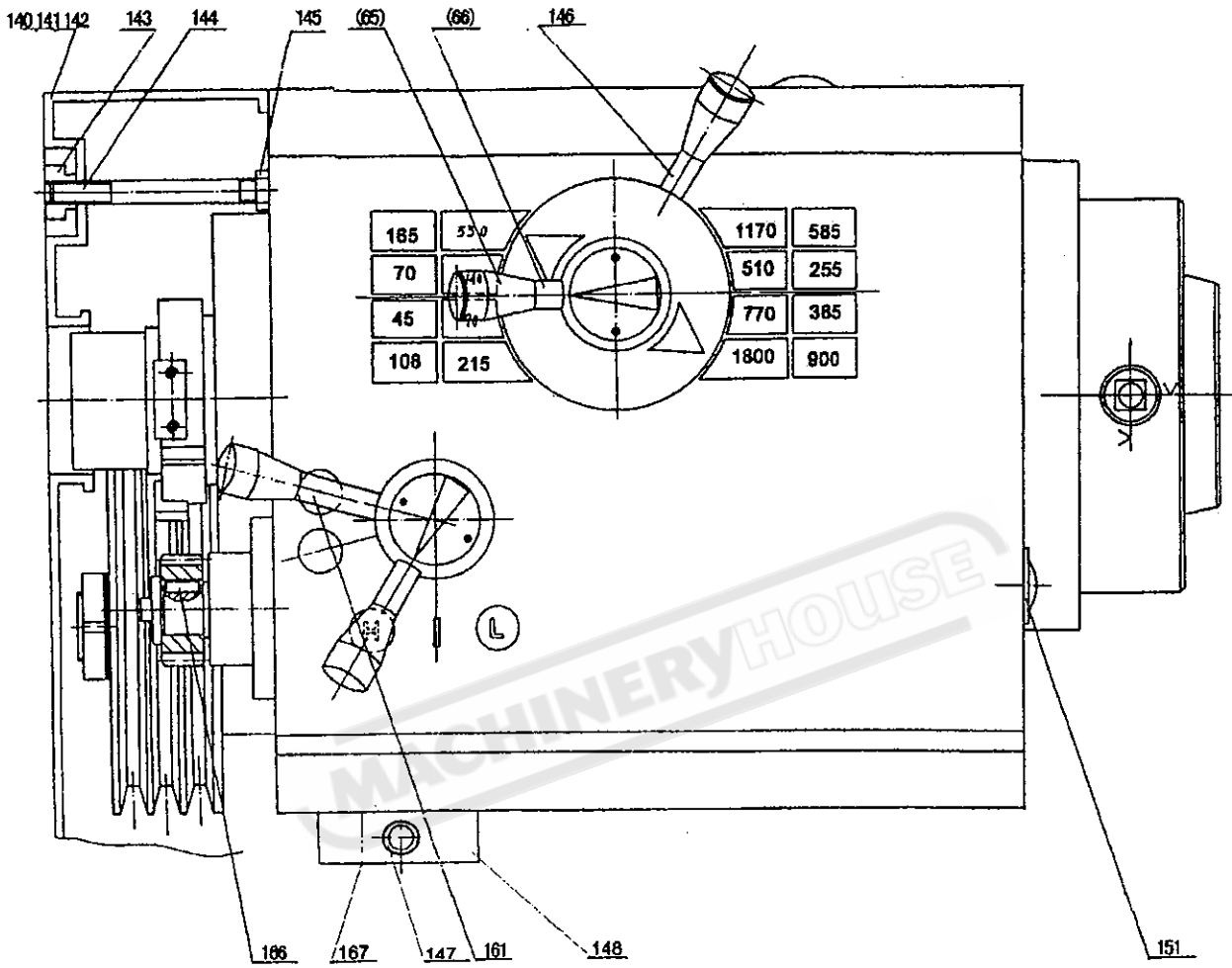
No.	Part No.	Name	Specification
1		Cross Screw	M6×10
2	RUN6141-106028	Cover	
3	CD6236-01-01A	Stand	
4	CD6236-01-05	Belt Pulley	
5	RUN6141-106047	Belt Pulley	
6		Cross Screw	M6×10
7		Cross Screw	M6×10
8	RUN6141-106091	Limited Switch Seat	
9		Nut	M4
10		Screw	M4×30
11		Limited Switch	
12	RUN6141-104041	Bracket Motor Seat	
13	CD6236-01-53	Shaft	
14	RUN6141-106037	Cam	
15	RUN6141-106040	Arm Brake	
16	RUN6141-106039	Shaft	
17	RUN6141-106038	Spring	
18	RUN6141-106050	Shaft	
19	RUN6141-106034	Motor Seat	
20		Bolt	M10×40
21		Washer	10
22	RUN6141-106079	Washer	
23		Nut	M16
24	RUN6141-106046	Screw	
25	RUN6141-106049	Washer	
26		Motor	
27	RUN6141-106028-01	Cover	
28		Cross Screw	M6×10
29	CD6236-01-54	Cover	
30	CD6236-01-55	Sleeve	
31	RUN6141-106036	Bracket	
32	RUN6141-106042	Arm	
33	CD6236-01-51	Pedal Brake	
42		Screw	M8×8
43	CD6236-01-21	Pin	
44		Clip	6
45	CD6236-01-22	Rod	
46	CD6236-01-23	Lever	
49	CL6132-04-77	Nut	
50	CD6236-01-24	Bolt	
51		Nut	M10
52		Bolt	M12×40
53		Socket Head Cap Screw	M12×80
54		Socket Head Cap Screw	M12×120
55		Socket Head Cap Screw	M12×40
56		Pin	12×30

No.	Part No.	Name	Specification
57	CD6236-01-25	Cover	
58	CD6236-01-26	Guard Assay	
59	CD6236-01-27	Gap Block	
60		Socket Head Cap Screw	M10×45
61		Taper Pin	8×85
62		Nut	M8×8
63		Socket Head Cap Screw	M8×50
64	CD6236-01-28	Rack	
65	CD6236-01-29	Clutch	
66		Steel Ball	8
67		Taper Pin	5×45
68		Spring	1.2×6×46
69		Screw	M10×10
70	CD6236-01-30	Sleeve	
71	CD6236-01-31	Pin	
72	CD6236-01-32	Washer	
73		External Circlip	28
74		Key	5×16
75		Spring	1.8×2.5×55
76	CD6236-01-33	Cover	
77		Socket Head Cap Screw	M6×30
78		Spring Pin	6×30
79	CD6236-01-34	Rock	
80	CD6236-01-35	Started Rod	
81	CD6236-01-36	Feed Rod	
82	CD6236-01-37	Lead Screw	
83	CD6236-01-38	Sleeve	
84		Set Screw	M6×6
85		Socket Head Cap Screw	M8×35
86	CD6236-01-39	Sleeve	
87		Taper Pin	6×50
88		Thrust Bearing	8202
89	CD6236-01-40	Sleeve	
90		Set Screw	M6×8
91	CL6132-06-11	Plug	
92	CD6236-01-41	Nut	
93		Steel Ball	9.5
94		Spring	1×9×20
95		Set Screw	M12×8
96	CD6236-01-42	Bracket	
97	CD6236-01-43	Screw	
98		Nut	M14
99	CD6236-01-44	Washer	45
100	CD6236-01-45	Bolt	M12×45
101		Bed	
102		Washer	12

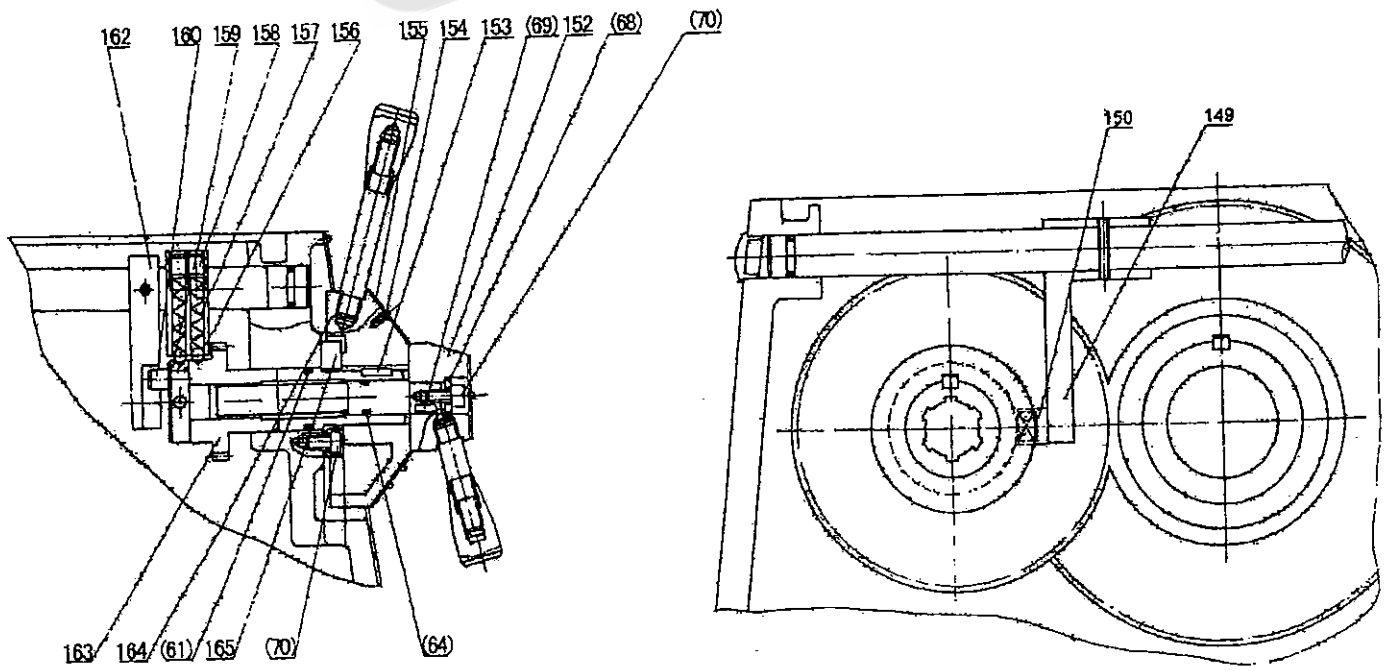
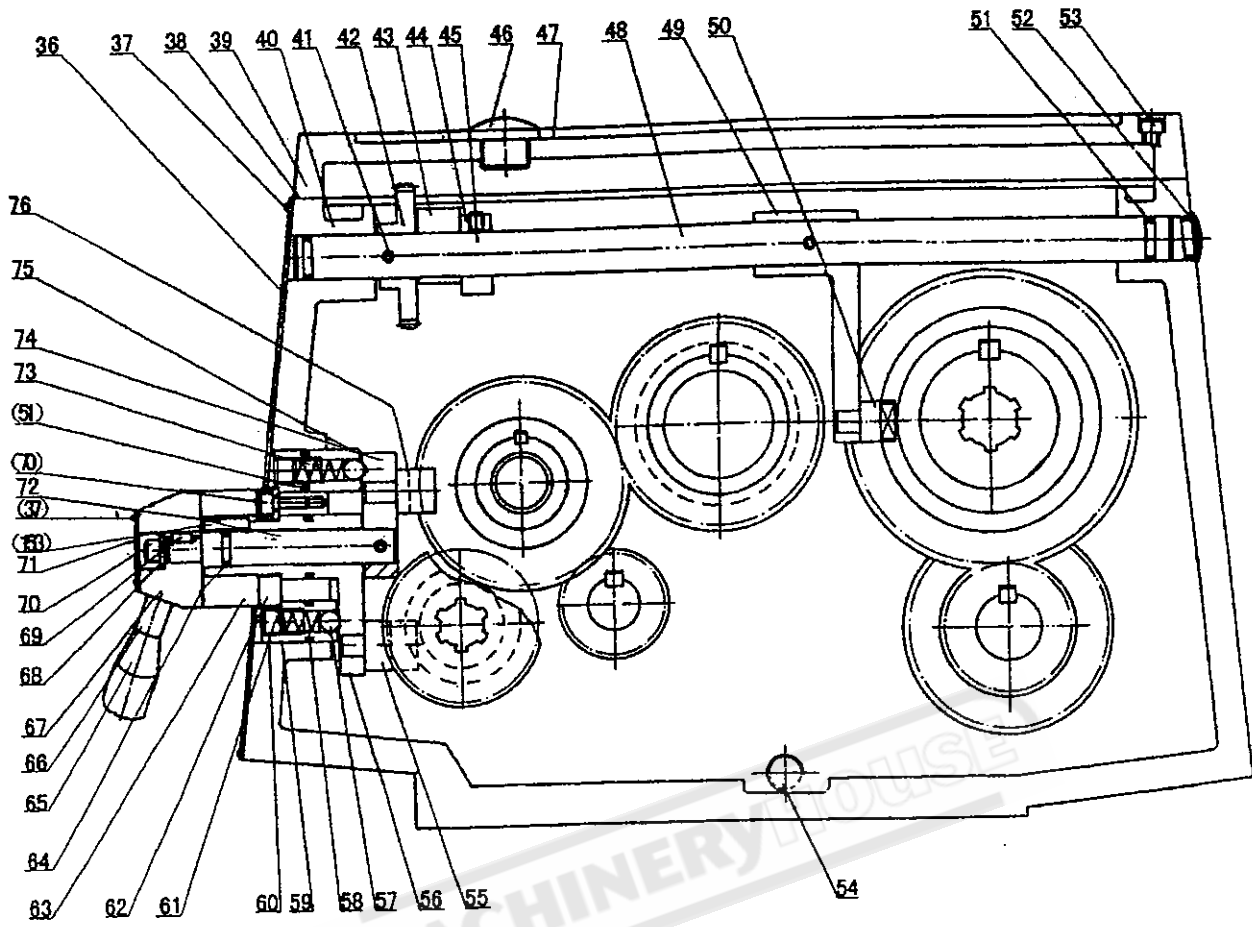
HEADSTOCK ASSEMBLY (1/3)



HEADSTOCK ASSEMBLY (2/3)



HEADSTOCK ASSEMBLY (3/3)



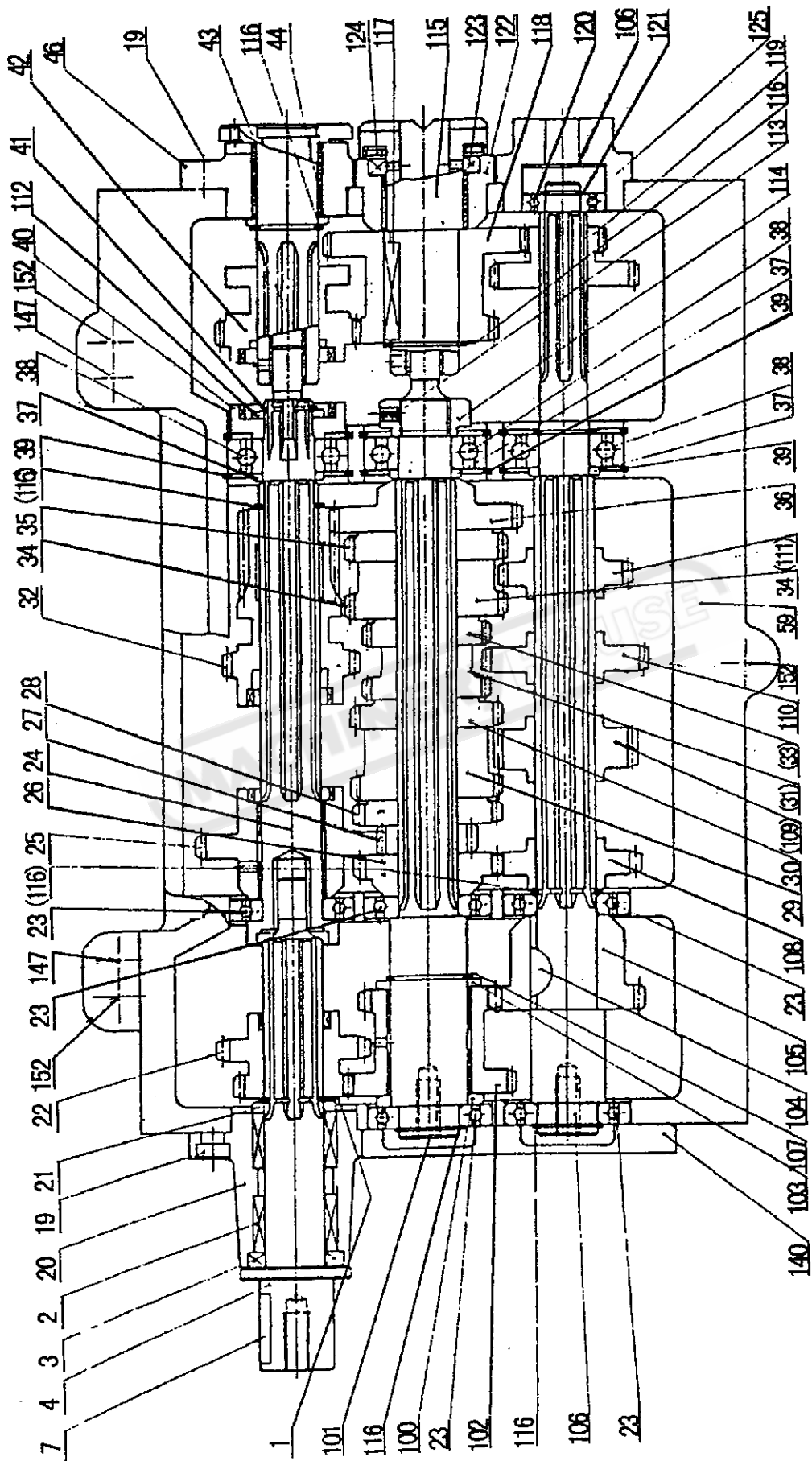
7.000

No.	Part No.	Name	Specification
1		Not	M30×P1.5
2		Toothed Lock Washer	D30
3		Key	AB×40
4	CD6236-04-01	Shaft	
5	RUN6246-101009	Spacer	
6	CD6236-04-02	Pulling	
7		Oil Seal	TC55×42×9
8		O-Ring	36×3.5
9	RUN6246-101010	Bearing Cover	
10	RUN6246-101010-1	Packing	
11		Socket Head Cap Screw	M6×40
12		Ball Bearing	80206
13		Key	8×50
14	CD6236-04-03	Gear	
15	CD6236-04-04	Gear	
16	CD6236-04-05	Sleeve	
17	CD6236-04-06	Gear	
18	CD6236-04-07	Gear	
19		Ball Bearing	80205
20		External Circlip	25
21		Fix Screw	M5×16
22	CD6236-04-08	Plug	
23		Ball Bearing	E206
24		External Circlip	30
25	CD6236-04-09	Shaft	
26		External Circlip	45
27		Key	8×30
28	CD6236-04-10	Gear	
29	CD6236-04-11	Gear	
30	CL6132-04-40	Plug	
31		O-Ring	19×2.65
32		Ball Bearing	80305
33		External Circlip	62
34	CD6236-04-12	Cover	
35		O-Ring	56×3.5
36	CD6236-04-13	Plate	
37		Cross Recessed Head Screw	M3×15
38	CD6236-04-14	Packing	
39	CD6236-04-15	Headstock Cover	
40	CD6236-04-16	Headstock Casting	
41		Spring Pin	5×30
42	CD6236-04-17	Gear	
43	CD6236-04-18	Bracket	
44	CL6132-04-99	Sleeve	
45		Fix Screw	M6×10
46	CL6132-04-06	Plug-Oil Inlet	

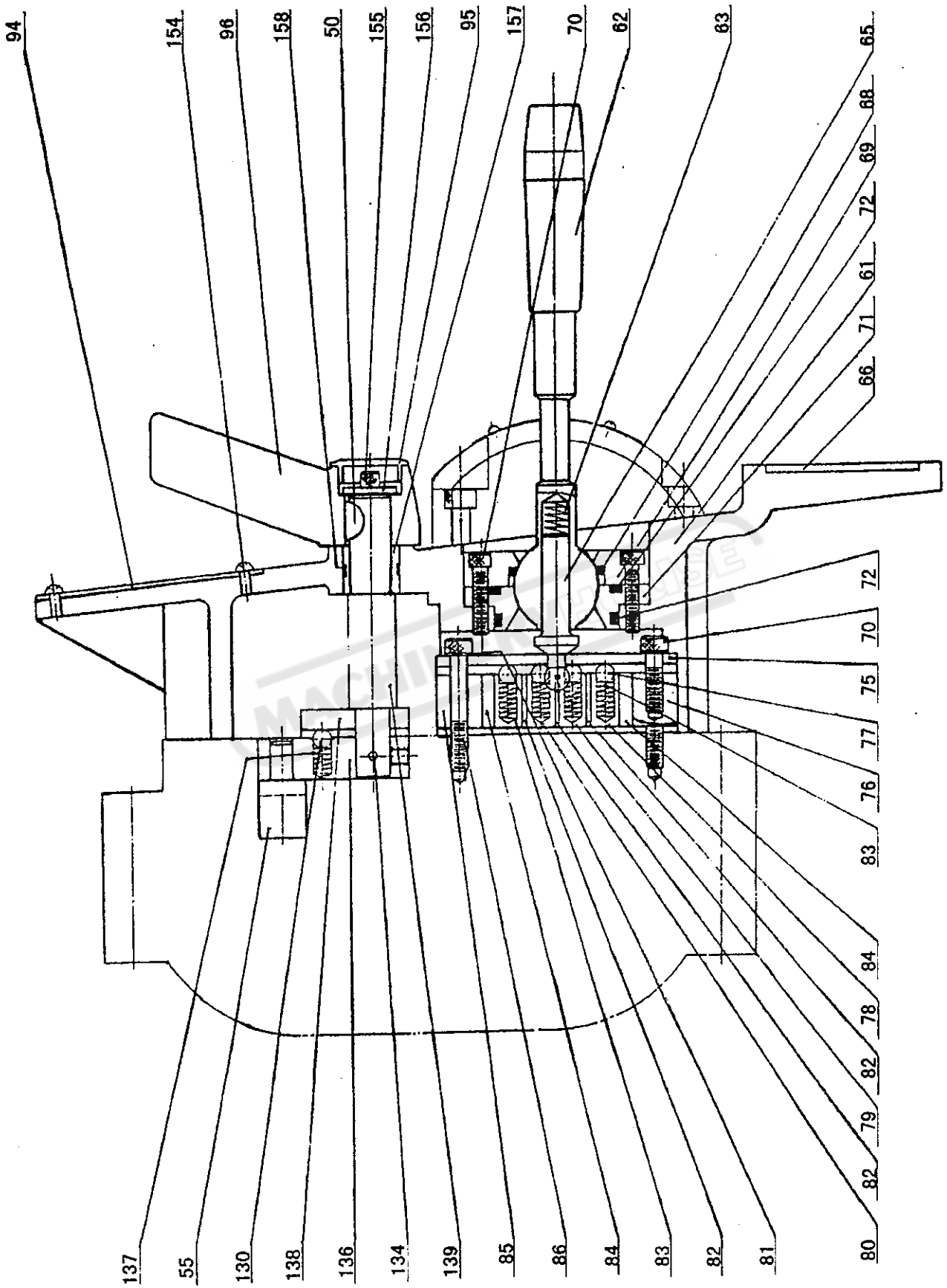
No.	Part No.	Name	Specification
47	CD6236-04-19	Cover Dress	
48	CD6236-04-20	Shaft	
49	CD6236-04-21	Lever	
50	CD6236-04-22	Fork	
51		O-Ring	14×2.65
52	CL6132-04-03	Plug	
53		Socket Head Cap Screw	M6×30
54		Oil Plug	ZG 3/8"
55	CD6236-04-23	Fork	
56	CD6236-04-24	Lever	
57		Steel Ball	φ 10
58		Spring	
59	CD6236-04-25	Bracket	
60		Fix Screw	M12×10
61		O-Ring	28×3.1
62	CD6236-04-26	Cover	
63	CD6236-04-27	Lever Head	
64		O-Ring	10×2.65
65		Knob	M10×50
66	CL6132-04-81	Lever	
67	CD6236-04-28	Lever Head	
68	CL6132-04-62	External Circlip	20
69		Key	4×10
70		Socket Head Cap Screw	M6×12
71	CL6132-04-90	Plate	
72	CD6236-04-29	Shaft	
73		Spring	0.9×9×40
74	CD6236-04-30	Lever	
75	CD6236-04-31	Bracket	
76	CD6236-04-32	Fork	
77		Fix Screw	M6×8
78	CD6236-04-33	Set Nut	
79	CD6236-04-34	Fix Black	
80		Taper Roller	D2007114E
81		External Circlip	75
82	CD6236-04-35	Gear	
83	CD6236-04-36	Gear	8×60
84		Key	
85		Taper Roller	D2007116E
86	CD6236-04-37	Cover	
87	CD6236-04-38	Packing	
88	RUN6246-101081	Cam Lock	
89	RUN6246-101081-1	Spring	
90	RUN6246-101087	Screw	
91	CD6236-04-39	Spindle	D1-6
92	RUN6246-101082	Cam Lock Stud	

No.	Part No.	Name	Specification
93	CD6236-04-40	Shaft	
94	CD6236-04-41	Spacer	
95		External Circlip	22
96	CD6236-04-42	Gear	
97	CD6236-04-43	Gear	
98	CD6236-04-44	Gear	
99		Key	5×20
100		External Circlip	42
101		Ball Bearing	80104
102	CD6236-04-45	Shaft	
103		Key	8×115
104	CD6236-04-46	Gear	
105	CD6236-04-47	Sleeve	
106	CD6236-04-48	Gear	
107	CD6236-04-49	Gear	
108	CD6236-04-50	Shaft	
109		External Circlip	20
110	CD6236-04-51	Gear	
111	CD6236-04-52	Packing	
112		Ball Bearing	80105
113		Socket Head Cap Screw	M6×14
114	CD6236-04-52	Cover	
115		Oil Seal	SD254010
116	CD6236-04-53	Change Gear	
117	CD6236-04-54	Spacer	
118		O-Ring	46×3.5
119	CD6236-04-55	Cover	
120		Ball Bearing	80204
121	CD6236-04-56	Gear	
122	CD6236-04-57	Sleeve	
123		Ball Bearing	E213
124	CD6236-04-58	Cover	
125	CD6236-04-59	Packing	
126		Socket Head Cap Screw	M6×25
127	CD6236-04-60	Cycle Oil Ring	
128		Fix Screw	
129	CD6236-04-61	Set Nut	
130	CD6236-04-62	Balance Piece	
131	CD6236-04-63	Gear	
132	CD6236-04-64	Gear	
133	CD6236-04-65	Gear	
134	CD6236-04-66	Gear	
135		External Circlip	65
136	CD6236-04-67	Packing	
137	CD6236-04-68	Cover	
138	CD6236-04-69	Spacer	
139	CD6236-04-70	Spacer	

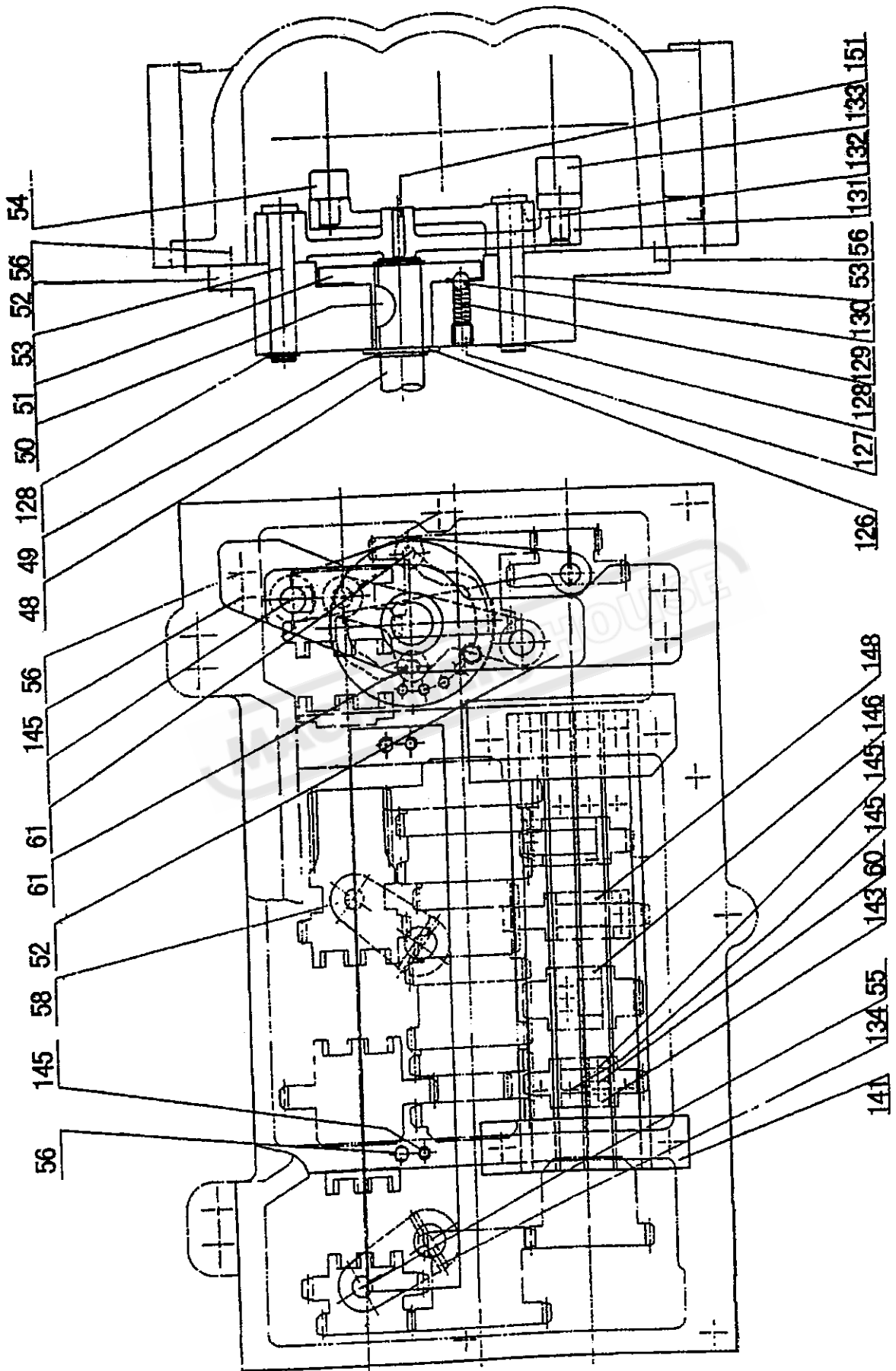
GEAR BOX CONTROL (1/3)



GEAR BOX CONTROL (2/3)



GEAR BOX CONTROL (3/3)



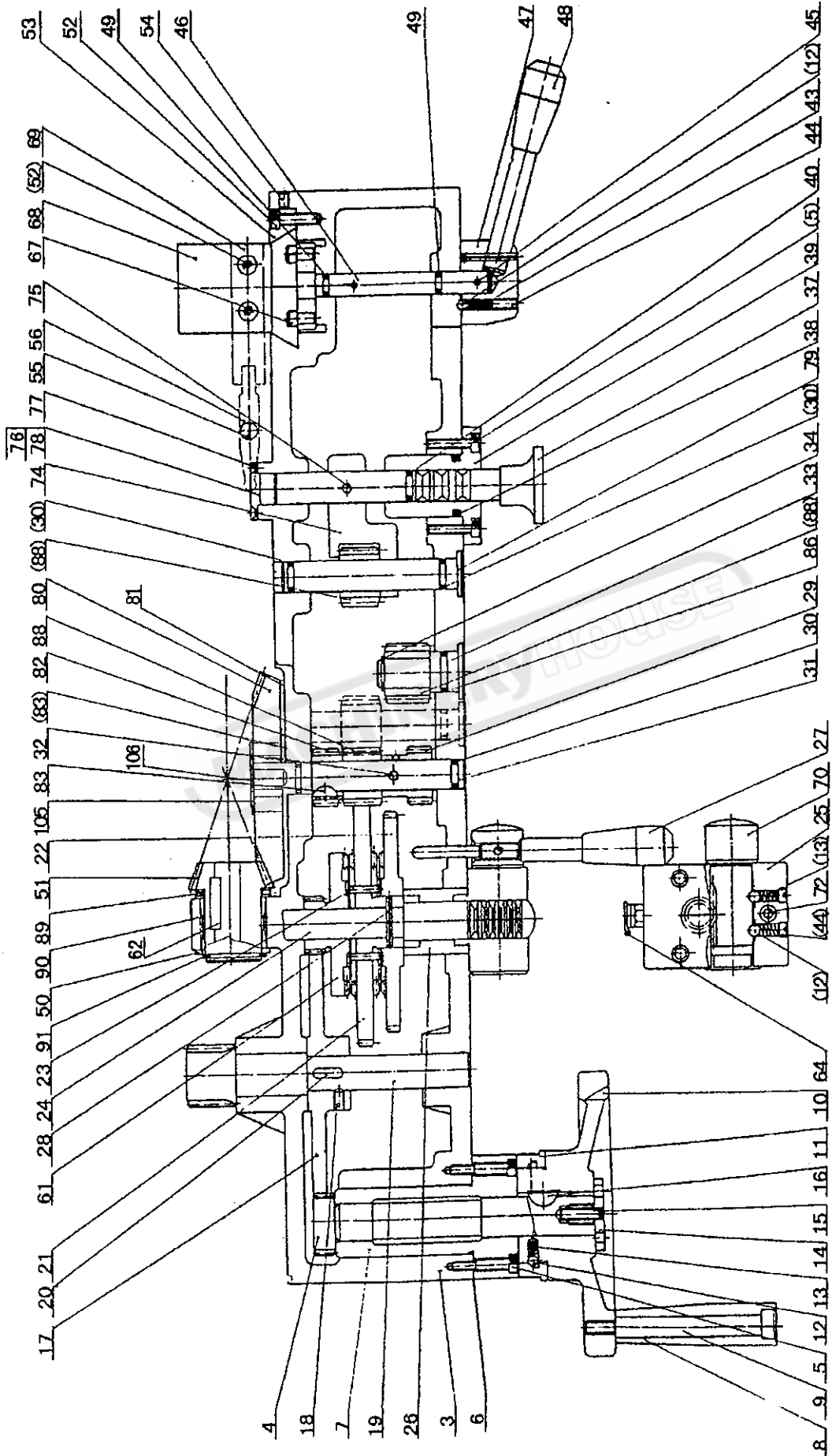
No.	Part No.	Name	Specification
1		Clip	20
2		Roller Bearing	943/20
3		Oil Seal	PD20×35×10
4	CD6236-05-01	Shaft	
5		Socket Head Cap Screw	
6	CD6236-05-02	Washer	
7		Key	8×28
8	CD6236-05-03	Sleeve	
9	CD6236-05-04	Change Gear	
10	CD6236-05-05	Shaft	
11		Nut	M16
12	CD6236-05-06	Sleeve	
13		Washer	14
14		Roller Bearing	160105
15		Retaining Ring	47
16		Key	5×40
17	CD6236-05-09	Change Gear	
18	CD6236-05-10	Swing France	
19		Socket Head Cap Screw	M6×16
20	CD6236-05-11	Bracket	
21	CD6236-05-12	Washer	
22	CD6236-05-13	Gear	
23		Ball Bearing	7000104
24	CD6236-05-14	Shaft	
25	CD6236-05-15	Gear	
26	CD6236-05-16	Gear	
27	CD6236-05-17	Gear	
28	CD6236-05-18	Gear	
29	CD6236-05-19	Gear	
30	CD6236-05-20	Gear	
31	CD6236-05-21	Gear	
32	CD6236-05-22	Gear	
33	CD6236-05-23	Gear	
34	CD6236-05-24	Gear	
35	CD6236-05-25	Gear	
36	CD6236-05-26	Gear	
37	CD6236-05-27	Washer	
38		Ball Bearing	203
39		Retaining Ring	40
40	CD6236-05-28	Clutch	

No.	Part No.	Name	Specification
41		External Circlip	14
42	CD6236-05-29	Clutch Gear	
43	CD6236-05-30	Shaft	
44	CD6236-05-31	Washer	
45	CD6236-05-32	Packing	
46	CD6236-05-33	Cover	
47	CD6236-05-34	Washer	
48	CD6236-05-35	Lever	
49		External Circlip	17
50		Woodruff Key	3×5×13
51	CD6236-05-36	Cam	
52	CD6236-05-37	Bracket	
53	CD6236-05-38	Shaft	
54	CD6236-05-39	Fork	
55	CD6236-05-40	Fork	
56		Socket Head Cap Screw	M6×16
57		Spring Washer	6
58	CD6236-05-41	Fork	
59	CD6236-05-42	Gear Box Casting	
60		Socket Head Cap Screw	M5×20
61	CD6236-05-43	Fork	
62	CD6236-05-44	Lever	
63		Spring	1×8×32
65	CD6236-05-46	Selector	
66	CD6236-05-47	Name Plate	
67	CD6236-05-48	Cover	
68		O-Ring	30×2.65
69	CD6236-05-49	Cover	
70		Socket Head Cap Screw	M5×25
71	CD6236-05-50	Bracket	
72		O-Ring	30×2.65
73		Socket Head Cap Screw	M6×16
74		Bracket	
75	CD6236-05-51	Set Screw	M6×5
76	CD6236-05-52	Screw	
77		Steel Ball	6
78	CD6236-05-53	Fork	
79	CD6236-05-54	Fork	
80	CD6236-05-55	Fork	
81	CD6236-05-56	Fork	

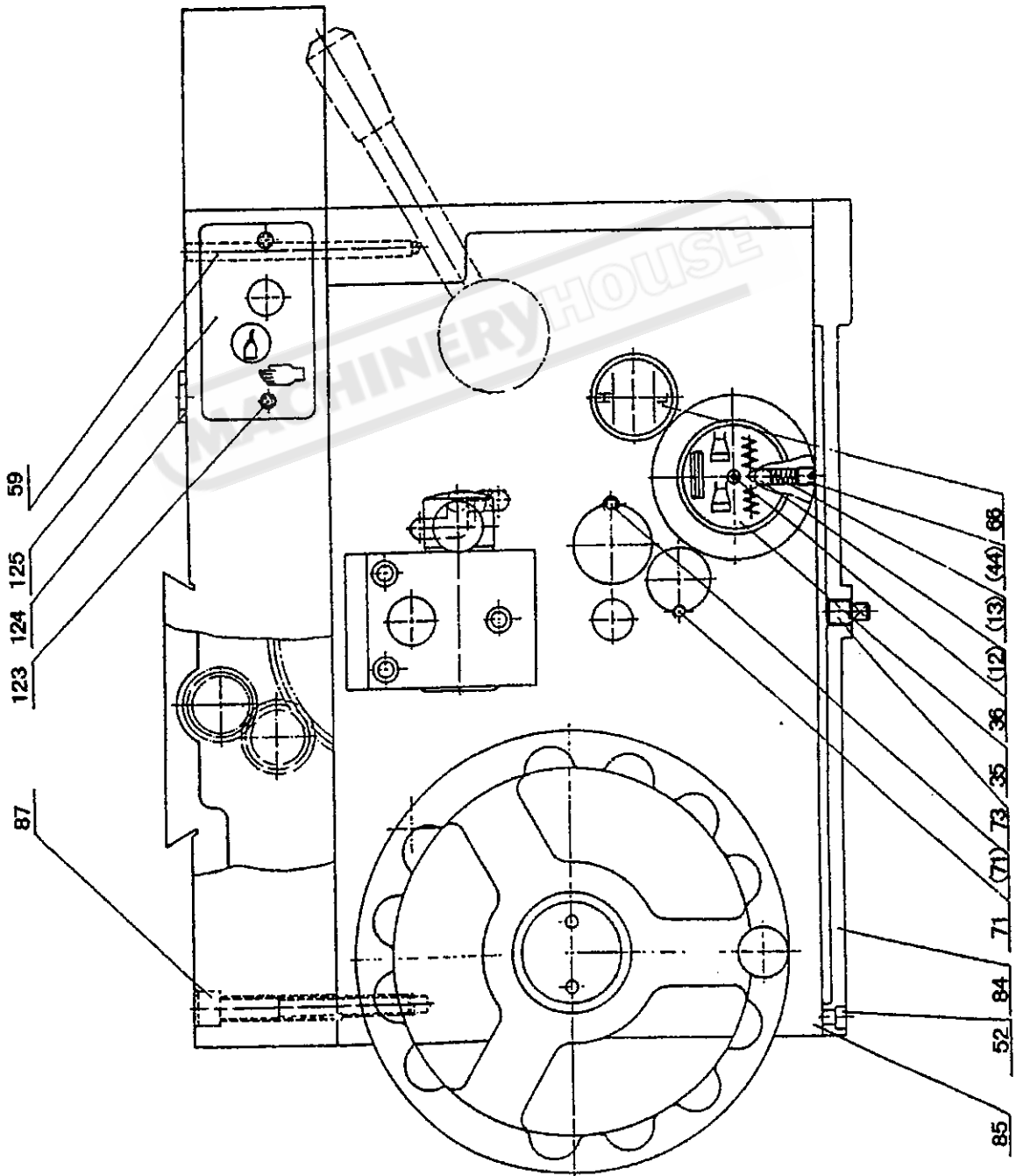
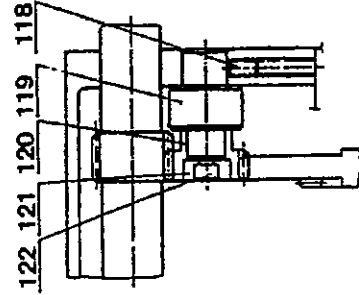
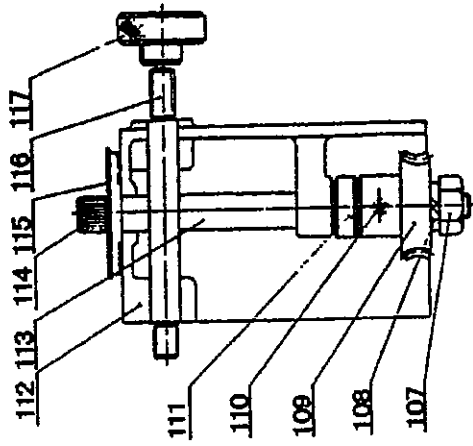
No.	Part No.	Name	Specification
82	CD6236-05-57	Div.Plate	
83		Spring	0.8×5×17
84	CD6236-05-58	Top Plate	
85	CD6236-05-59	Sleeve	
86		Socket Head Cap Screw	M6×35
87		Plug	ZG1/2"
88		Oil Inlet Pip	ZG1/2"
89		Socket Head Cap Screw	M6×65
90		Oil Sight Glass	20
91		Cross Screw	M5×8
92	CD6236-05-60	Plate	
93	CD6236-05-61	Plate	
94	CD6236-05-62	Plate	
95	CD6236-05-102	Plug	
96	CD6236-05-63	Lever	
97		Socket Head Cap Screw	M6×80
98	CD6236-05-64	Packing	
99	CD6236-05-65	Packing	
100	CD6236-05-66	Washer	
101	CD6236-05-67	Shaft	
102	CD6236-05-68	Gear	
103	CD6236-05-69	Washer	
104		Woodruff Key	5×7.5×19
105	CD6236-05-70	Gear	
106	CD6236-05-71	Shaft	
107		External Circlip	25
108	CD6236-05-72	Gear	
109	CD6236-05-73	Gear	
110	CD6236-05-74	Gear	
111	CD6236-05-75	Gear	
112	CD6236-05-76	Washer	
113		Set Screw	M5×5
114	CD6236-05-77	Nut	
115	CD6236-05-78	Shaft	
116		External Circlip	22
117		Key	5×35
118	CD6236-05-79	Gear	
119	CD6236-05-80	Gear	
120		Roller Bearing	101
121		External Circlip	12

No.	Part No.	Name	Specification
122	CD6236-05-81	Bracket	
123		Oil Seal	PD25×40×10
124		Thrust Bearing	8105
125	CD6236-05-82	Bracket	
126	CD6236-05-83	Washer	
127		Set Screw	M8×8
128		Clip	8
129		Spring	0.8×5×17
130		Steel Ball	φ 6.5
131	CD6236-05-84	Lever	
132	CD6236-05-85	Lever	
133	CD6236-05-86	Fork	
134		Spring Pin	4×25
135	CD6236-05-87	Packing	
136	CD6236-05-88	Lever	
137		Spring	0.8×5×17
138	CD6236-05-89	Selector Bar	
139	CD6236-05-90	Shaft	
140	CD6236-05-91	Cover	
141	CD6236-05-92	Plate	
142	CD6236-05-93	Plate	
143	CD6236-05-94	Fork	
144		Spring Pin	5×18
145		Spring Pin	3×10
146	CD6236-05-95	Fork	A8×90
147		Taper Pin	
148	CD6236-05-96	Fork	
149	CD6236-05-97	Plate	
150		Spring Pin	3×4
151	CD6236-05-98	Fork	
152		Socket Head Cap Screw	M8×60
153	CD6236-05-99	Packing	
154		Cross Screw	M5×8
155		Socket Head Cap Screw	M5×12
156	CD6236-05-100	Washer	
157	CD6236-05-101	Sleeve	
158		O-Ring	16×2.65

APRON (L.H.) (1/2)



APRON (L.H.) (2/2)

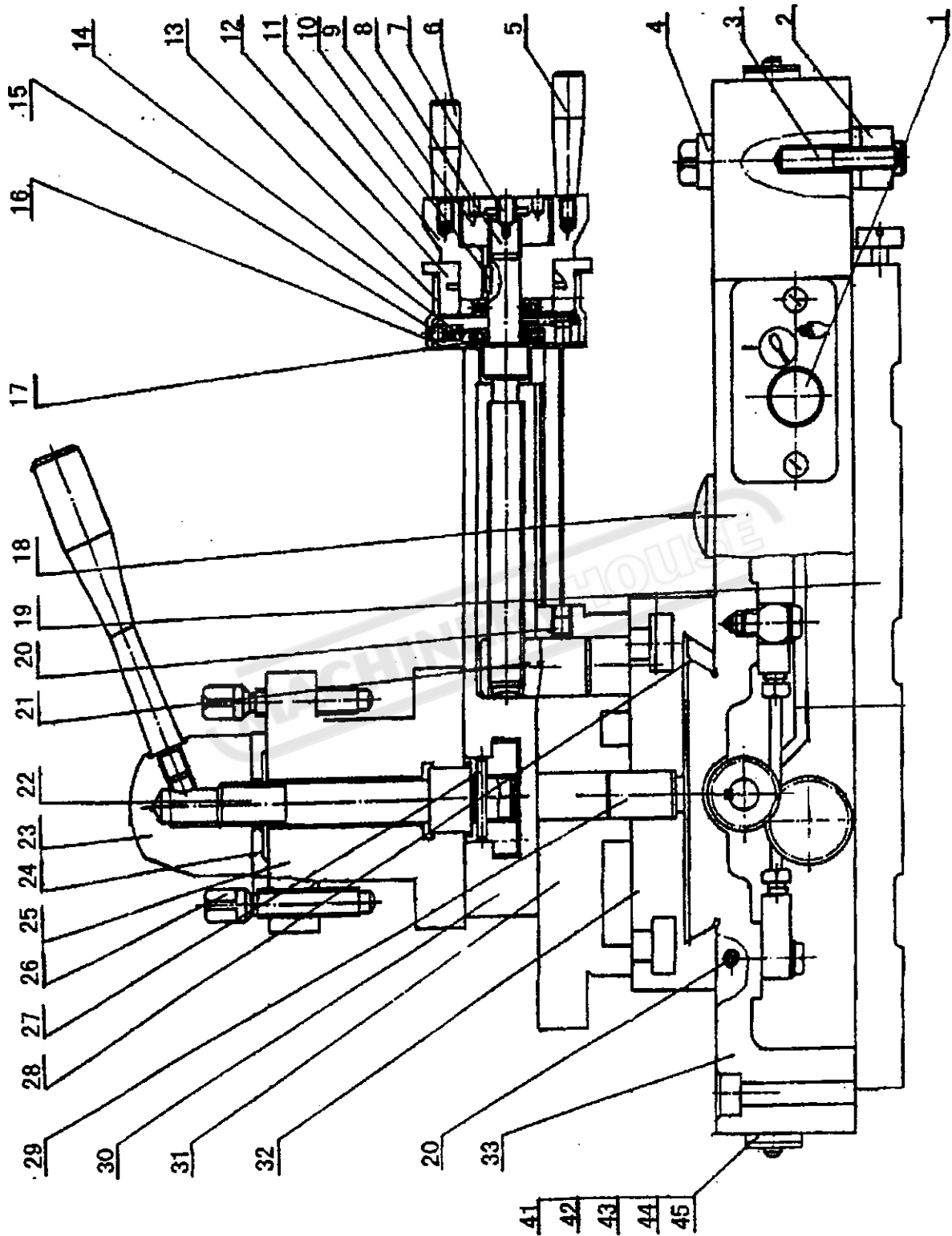


No.	Part No.	Name	Specification
3	CD6236-06-01	Apron Casting	
4	CD6236-06-02	Shaft	
5		Socket Head Cap Screw	M5×25
6	CD6236-06-03	Name Plate	
7	CD6236-06-04	Sleeve	
8	CD6236-06-05	Handle	
9	CD6236-06-06	Bolt	
10	CD6236-06-07	Hand Wheel	
11	CD6236-06-08	Dial	
12		Steel Ball	Φ 6.5
13		Spring	
14	CD6236-08-16	Screw Plug	
15		Set Screw	M5×25
16		Woodruff Key	5×1.5×16
17	CD6236-06-09	Gear	
18		Spring Pin	6×40
19	CD6236-06-10	Shaft	
20		Key	6×18
21	CD6236-06-11	Gear	
22	CD6236-06-12	Gear	
23		Pin	4×16
24	CD6236-06-13	Shaft	
25	CD6236-06-14	Lever Head	
26	CD6236-06-15	Sleeve	
27	CD6236-06-16	Lever	
28		Spring Pin	4×22
29	CD6236-06-17	Gear	
30		O-Ring	11.2×1.8
31	CD6236-06-18/01	Shaft	
32		Spring Pin	5×22
33	CD6236-06-19	Shaft	
34		External Circle	16
35	CD6236-06-20	Name Plate	
37	CD6236-06-21	Shaft	
38		O-Ring	25.8×3.55

No.	Part No.	Name	Specification
39	CD6236-06-22	Sleeve	
40		O-Ring	16×1.8
41	CD6236-06-23	Plug	
43		Clip	8
44		Socket Head Cap Screw	M8×6
45		Spring Pin	4×42
46	CD6236-06-25	Shaft	
47	CD6236-06-26	Lever Head	
48	CD6236-06-27	Handle	
49		O-Ring	7×2.65
50	CD6236-06-28	Washer	
51	CD6236-06-29	Gear-Drive Level	
52		Socket Head Cap Screw	M5×16
53	CD6236-06-30	Gib	
54		Socket Head Set Screw	M5×6
55	CD62.6-06-51	Bolt	
56	CD6236-06-31	Lever	
58	CD6236-06-33	Spindle Control Lever	
59		Pin	8×60
60		Socket Head Cap Screw	M6×16
61	CD6236-06-34	Gear	
62	CD6236-06-35	Key	
66		Oil Sight Glass	20
67	CD6236-06-37	Pin	
68	CD6236-06-38	Half Nut	
69	CD6236-06-39	Stopper	
70	CD6236-06-40	Gear Shaft	
71		Socket Head Set Screw	M6×6
72		Socket Head Cap Screw	M5×40
73		Oil Plug	R 3/8"
74	CD6236-06-41	Fork	
75		Spring Pin	4×30
76	CD6236-06-42	Packing	
77		Screw	M4×10
78	CD6236-06-43	Cover	

No.	Part No.	Name	Specification
79	CD6236-06-44	Shaft	
80	CD6236-06-45	Gear-Drive Bevel	
81	CD6236-06-46	Washer	
82	CD6236-06-47	Gear	
83		Key	5×12
84	CD6236-06-48	Bottom Plate	
85	CD6236-06-49	Packing	
86		O-Ring	18×2.65
87		Socket Head Cap Screw	M8×60
88	CD6236-06-50	Gear	
89		Thrust Bearing	
90		Needle Bearing	7943/30
91		Clip	30
105	CD6236-06-18/02	Sleeve	
106		Screw	M6×15
107		Nut	M8
108		Washer	8
109	CD6236-06-32 7/9	Gear	
110		Socket Head Set Screw	M5×6
111	CD6236-06-32 6/9	Washer	
112	CD6236-06-32 8/9	Guard	
113	CD6236-06-32 3/9	Stem	
114	CD6236-06-32 1/9	Thumb Screw	
115	CD6236-06-32 2/9	Dial	
116	CD6236-06-32 9/9	Stud	
117	CD6236-06-32 4/9	Nut	
118		Socket Head Set Screw	M6×8
119	CD6236-07-61	Shaft	
120	CD6236-07-60	Gear	
121	CD6236-07-59	Washer	
122		Socket Head Cap Screw	M5×10
123		Screw	M5×10
124		Oil Cover	
125	CD6236-07-01 3/13	Plate	

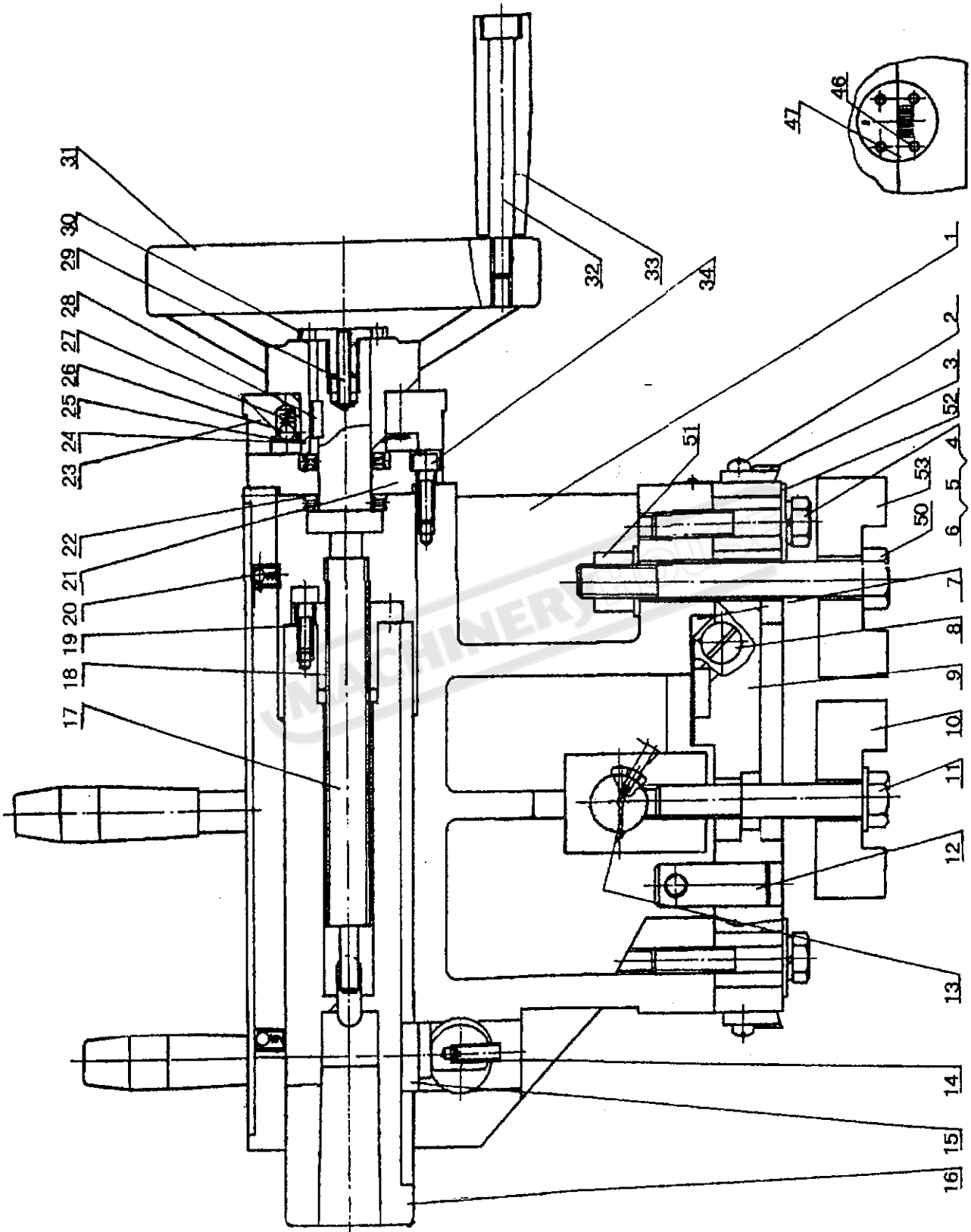
CROSS SLIDE & COMPOUND (1/2)



5000

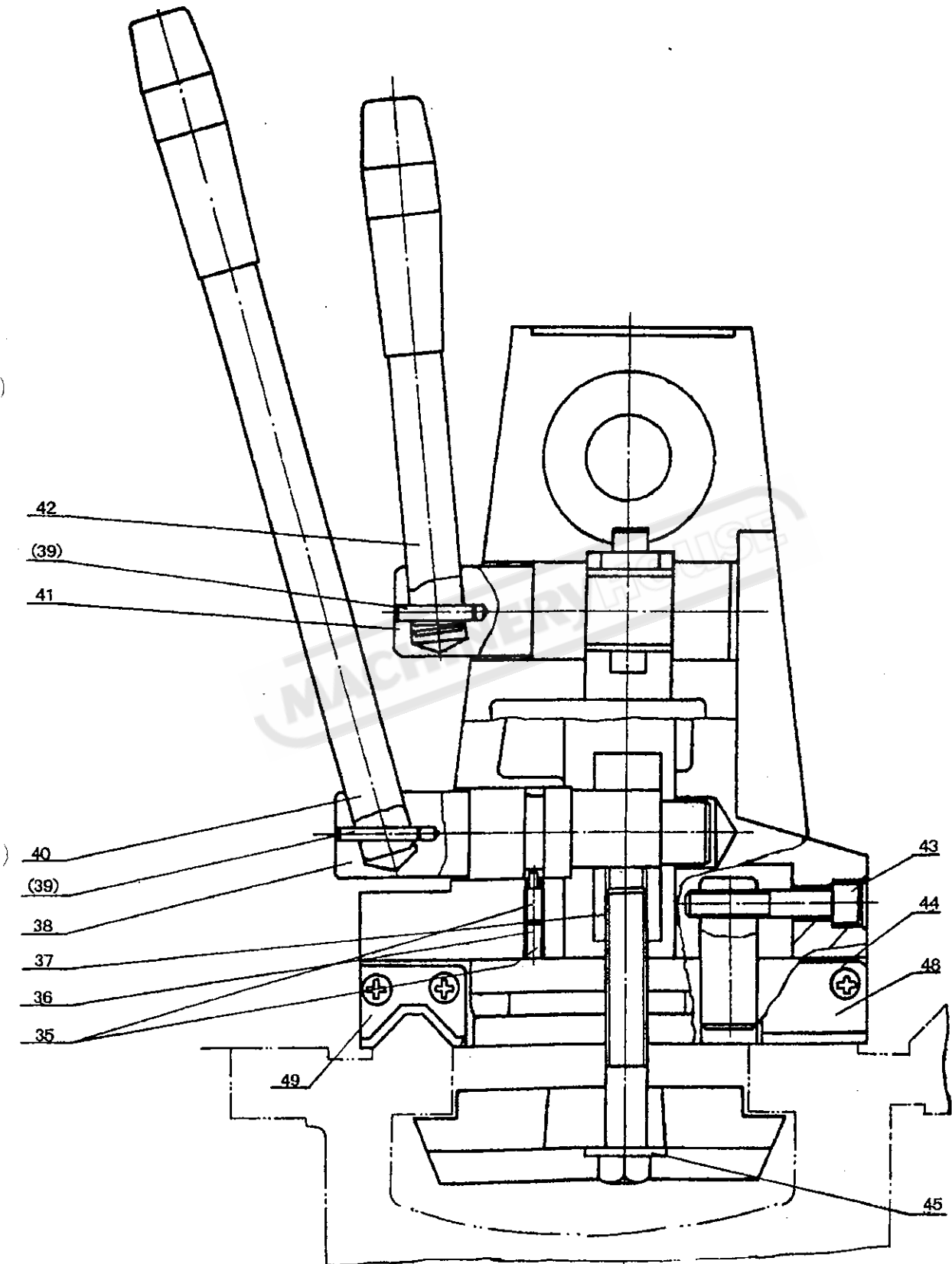
No.	Part No.	Name	Specification
1	CD6236-07-01	Body Pump	
2	CD6236-07-02	Clamp Block	
3	CD6236-07-03	Support Screw	
4	CD6236-07-04	Clamp Screw	
5	CD6236-07-05	Handle	
6	CD6236-07-06	Handle	
7	GB77-85	Screw	M6×8
8	CD6236-07-07	Feed Screw	
9	CD6236-07-08	Screw Plug	
10	GB1096-79	Key	4×12
11	CD6236-07-10	Handle	
12	CD6236-07-11	Dial-Compound Rest	
13	CD6236-07-12	Steel Ball	
14	GB2089-80	Spring	0.5×5×18
15	GB308-77	Steel Ball	6
16	CD6236-07-13	Seat	
17	GB273.2-87	Thrust Bearing	12×26×6
18	CP6132-07-15	Plug	
19	CP6132-07-16	Gib	
20	GB77-85	Screw	M6×10
21	CP6132-07-17	Nut	
22	CP6132-07-18	Tool Post Shaft	
23	CP6132-07-19	Clamping Handle	
24	CP6132-07-20	Washer	
25	CP6132-07-21	Tool Post	
26	GB98-83	Screw	M10×50
27	GB879-86	Spring Pin	4×30
28	CP6132-07-23	Gib	
29	CP6132-07-24	Shaft	
30	CP6132-07-25	Compound Rest	
31	CP6132-07-26	Swivel Table	
32	CP6132-07-27	Cover-Cross Sliding	
33	CP6132-07-28	Carriage	
34	GB1155-79	Ball Cup	6
35	CP6132-07-29	Clamp Handle	
36	GB70-85	Screw	M8×20
37	GB273.2-87	Thrust Bearing	10×24×6
38	CP6132-07-30	Bearing Cover	
39	CP6132-07-09	Bracket	
40	GB6175-86	Clamping Nut	
41	CP6132-07-31	Wiper	
42	CP6132-07-32	Wiper Cover	
43	GB818-85	Screw	M5×16
44	CP6132-07-33	Wiper	
45	CP6132-07-34	Wiper Cover	
46	GB819-85	Screw	M5×12
47	GB70-85	Screw	M8×16

Tailstock assembly (1/2)



No.	Part No.	Name	Specification
48	GB77-85	Screw	M8×16
49	CP6132-07-35	Plate	
50	GB1155-79	Ball Cup	8
51	CP6132-07-36	Bracket	
52	GB818-85	Screw	35
53	CP6132-07-37	Clamping Screw	
54	GB77-85	Screw	M6
55	CP6132-07-38	Wheel;	
56	CP6132-07-39	Handle Spacer	
57	CP6132-07-40	Screw	
58	CP6132-07-41	Dial-Feed	
59	CP6132-07-42	Handle Spacer	
60	CP6132-07-43	Washer	
61	CP6132-07-44	Wiper Cover	
62	CP6132-07-45	Wiper	
63	GB37-88	Screw	M10×25
64	GB6175-86	Nut	M10
65	GB77-85	Screw	M8×8
66	CP6132-07-46	Bottom	
67	CP6132-07-47	Gib	
68	CP6132-07-48	Screw	
69	GB77-85	Screw	M8×20
70	CP6132-07-49	Plate	
71	CP6132-07-50	Pin	
72	GB77-85	Screw	M6×20
73	CP6132-07-51	Nut	
74	CP6132-07-52	Bracket	
75	GB879-86	Spring Pin	3×8
76	CP6132-07-53	Continue Plate	
77	CP6132-07-54	Cut	
78	CP6132-07-55	Feed Screw	
79	CP6132-07-22	Bracket	
80	CP6132-07-14	Spacer	
81	CP6132-07-56	Gib	
82	CP6132-07-57	Gib	
83	CP6132-07-58	Gib	
84	GB77-85	Screw	M6×20
85	CP6132-07-59	Washer	
86	CP6132-07-60	Gear	
87	GB70-85	Screw	M5×10
88	CP6132-07-61	Shaft	
89	CP6132-07-62	Key	
90	CP6132-07-63	Gear Shaft	
91	GB273.2-87	Thrust Bearing	17×30×6
92	GB1096-86	Key	3×3×20
93	GB97.2-85	Washer	10
94	GB70-85	Screw	M10×75
95	GB70-85	Screw	M6×25

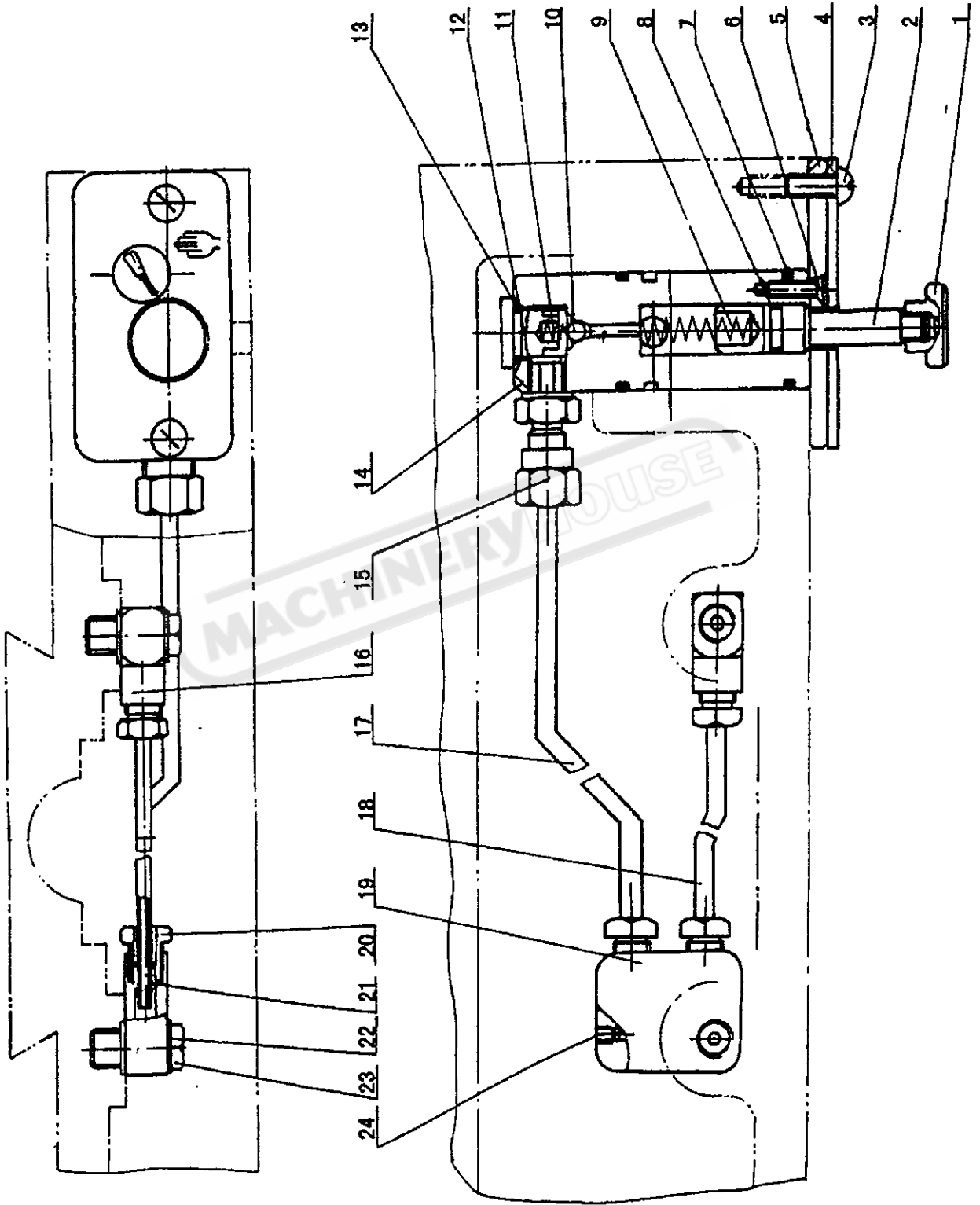
Tailstock assembly (2/2)



No.	Part No.	Name	Specification
1	CD6236-08-01	Tail Screw	M4×10
2		Screw	
3	CD6236-08-02	Bedway Wiper	M10×45
4		Bolt	10
5		Washer	10
6		Washer	
7	CD6236-08-03	Gib	
8	CD6236-08-04	Screw	
9	CD6236-08-05	Tail Stock Base	
10	CD6236-08-06	Clamping Block	
11		Bolt	M12×80
12	CD6236-08-07	Shaft	
13	CD6236-08-08	Limit Retaining Pin	
14		Socket Head Set Screw	M6×10
15	CD6236-08-09	Key	
16	CD6236-08-10	Quill	
17	CD6236-08-11	Feed Screw	
18	CD6236-08-12	Feed Nut	
19		Socket Head Set Screw	M6×16
20		Ball Cup	8
21	CD6236-08-13	Bracket	
22		Thrust Bearing	8104
23	CD6236-08-14	Dial	
24		Retaining Ring	32
25	CD6236-08-15	Retaining Ring	
26		Steel Ball	φ 6.5
27		Spring	0.6×5×16

No.	Part No.	Name	Specification
28		Key	5×25
29		Socket Head Set Screw	M5×25
30	CD6236-08-16	Screw Plug	
31	CD6236-08-17	Hand Wheel	
32	CD6236-08-18	Bolt	
33	CD6236-08-19	Handle	
34		Socket Head Cap Screw	M5×20
35		Socket Head Set Screw	M6×10
36		Socket Head Set Screw	M6×10
37	CD6236-08-20	Adjusting Block	
38	CD6236-08-21	Clamping Block	
39		Spring Pin	4×25
40	CD6236-08-22	Clamping Lever	
41	CD6236-08-23	Clamping Shaft	
42	CD6236-08-24	Clamping Lever	
43		Socket Head Cap Screw	M8×25
44	CD6236-08-25	Bedway Wiper	
45		Washer	12
46		Button Head Rivet	2×8
47	CD6236-08-26	Set-Over Indication Chart	
48	CD6236-08-27	Bedway Wiper Plate	
49	CD6236-08-28	Bedway Wiper Plate	
50		Hexagon Head Screw	M12×110
51		Hexagon Thick Nut	M12
52		Washer	12
53	CD6236-08-29	Clamping Block	

LUBRICATION



No.	Part No.	Name	Specification
1	CP6123-07-01 1/13	Knob	
2	CP6123-07-01 2/13	Piston	
3	GB67-85	Screw	M5×15
4	CP6123-07-01 3/13	Name Plate	
5	CP6123-07-01 4/13	Plate	
6	GB819-85	Screw	M5×12
7	GB3452.1-82	O-Ring	2.65×26.5
8	GB3452.1-82	O-Ring	2.65×8
9	GB2089-80	Spring	1×7×45
10	FB308-77	Ball	5
11	GB2089-80	Spring	0.5×4×15
12	CP6123-07-01 5/13	Plug	
13	GB3452.1-82	O-Ring	1.8×11.2
14	CP6123-07-01 6/13	Pump	
15	GB3747.1-83	Proper Unit	D0=5
16	CP6123-07-01 7/13	Joint	
17	CP6123-07-01 8/13	Lubrication Tube	
18	CP6123-07-01 9/13	Lubrication Tube	
19	CP6123-07-01 10/13	Distributor	
20	CP6123-07-01 11/13	Thimble Nut	
21	CP6123-07-01 12/13	Gasket	
22	GB97.1-85	Washer	10
23	CP6123-07-01 13/13	Proper Screw	
24	GB77-85	Screw	M4×5