

| Table of Contents | Page |
|------------------------------------|-------------|
| Table of Contents | 1 |
| Bed Assembly I | 2-4 |
| Bed Assembly II | 5-6 |
| Headstock Assembly I | 7-9 |
| Headstock Assembly II | 10-12 |
| Headstock Assembly IV | 13-15 |
| Headstock Assembly V | 16-18 |
| Headstock Assembly III | 19-20 |
| Gear Assembly | 21-22 |
| Gear Box Assembly I | 23-24 |
| Gear Box Assembly II | 25-27 |
| Gear Box Assembly III | 28-30 |
| Taper Assembly | 31-32 |
| Micro Carriage Stop Assembly | 33-34 |
| Brake Assembly | 35-36 |
| Tool Post Assembly I | 37-39 |
| Tool Post Assembly II | 40-42 |
| Apron Assembly I | 43-46 |
| Apron Assembly II | 47-49 |
| Apron Assembly III | 50-52 |
| Tailstock Assembly I | 53-54 |
| Tailstock Assembly II | 55-56 |
| Steady Rest Assembly | 57-58 |
| Follow Rest Assembly | 59-60 |

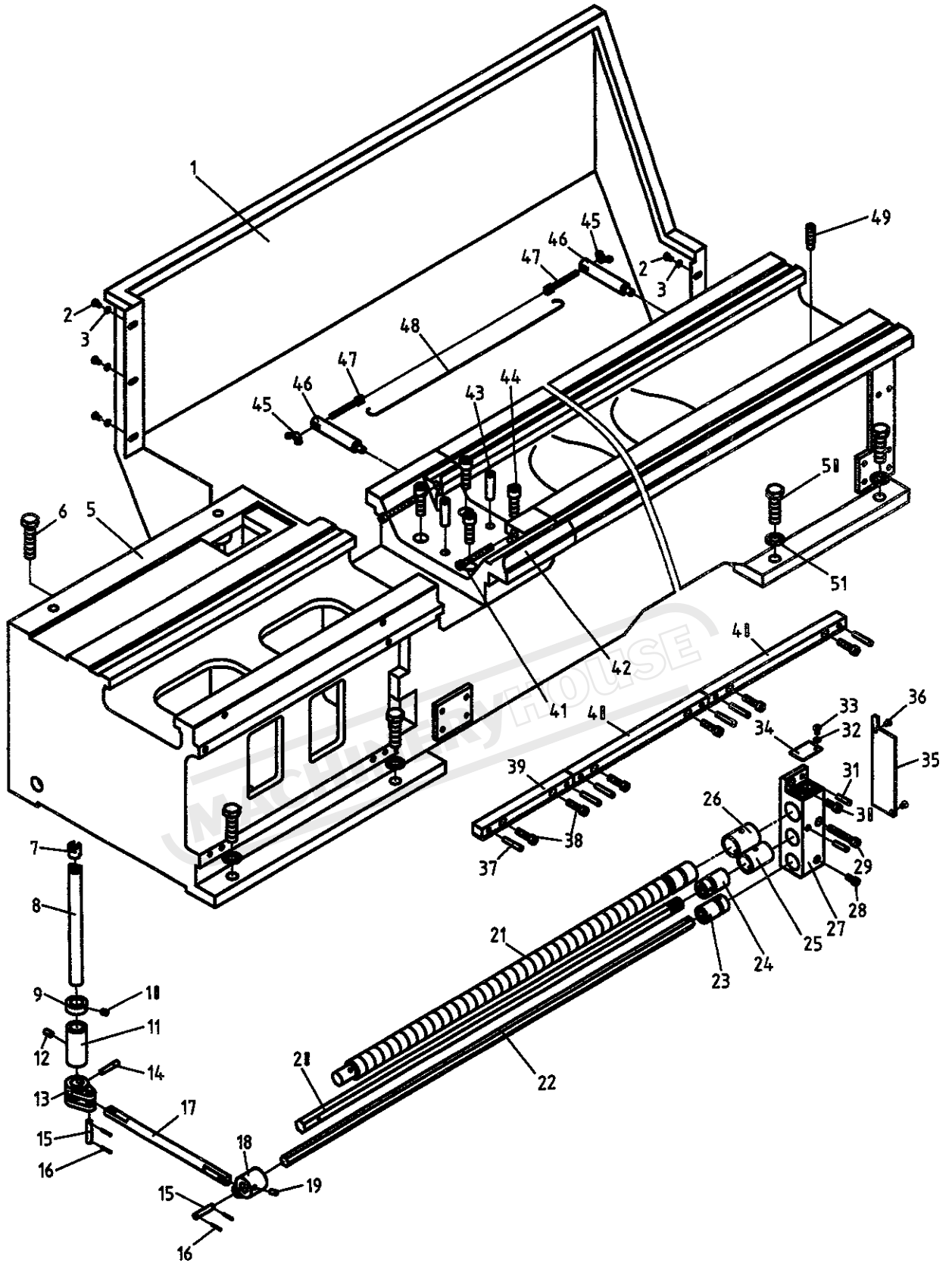
MACHINERYHOUSE

Bed Assembly I

| Index No. | Part No. | Description | Size | Qty. |
|-----------|----------------|-----------------------------------|--------|------|
| 1 | C6266C-12701A | Splash Guard (for 1000 models) | | 1 |
| | C6266C-12701B | Splash Guard (for 1500 models) | | 1 |
| | C6266C-12701C | Splash Guard (for 2000 models) | | 1 |
| | C6266C-12701CN | Splash Guard (for 2200 models) | | 1 |
| | C6266C-12701D | Splash Guard (for 3000 models) | | 1 |
| 2 | GB70 | Hex Socket Cap Screw | M6x8 | 8 |
| 3 | GB97 | Flat Washer | 6 | 8 |
| 5 | C6266C-01101A | Bed (for 1000 models) | | 1 |
| | C6266C-01101B | Bed (for 1500 models) | | 1 |
| | C6266C-01101C | Bed (for 2000 models) | | 1 |
| | C6266C-01101CN | Bed (for 2200 models) | | 1 |
| | C6266C-01101D | Bed (for 3000 models) | | 1 |
| 6 | GB5782 | Hex Cap Bolt | M20x60 | 4 |
| 7 | C6140W-01705 | Crossed Head | | 1 |
| 8 | C6140W-01706 | Screw | | 1 |
| 9 | C6140W-01707 | Sleeve | | 1 |
| 10 | GB71 | Slotted Set Screw | M10x12 | 1 |
| 11 | C6140W-01709 | Sleeve | | 1 |
| 12 | GB71 | Slotted Set Screw | M10x20 | 1 |
| 13 | C6140W-01104 | Fork | | 1 |
| 14 | GB118 | Taper Pin | 8x50 | 1 |
| 15 | GB71 | Slotted Set Screw | M10x14 | 2 |
| 16 | GB91 | Split Pin | 2x16 | 4 |
| 17 | C6140W-01711 | Pulling Rod | | 1 |
| 18 | C6266C-01106 | Sleeve | | 1 |
| 19 | GB71 | Slotted Set Screw | M8x16 | 1 |
| 20 | C6140W-01703 | Hex Feed Rod (for 1000 models) | | 1 |
| | C6266C-01703B | Hex Feed Rod (for 1500 models) | | 1 |
| | C6266C-01703C | Hex Feed Rod (for 2000 models) | | 1 |
| | C6266C-01703CN | Hex Feed Rod (for 2200 models) | | 1 |
| | C6266C-01703D | Hex Feed Rod (for 3000 models) | | 1 |
| 21 | C6140W-01702 | Lead Screw (for 1000 models) | | 1 |
| | C6266C-01702B | Lead Screw (for 1500 models) | | 1 |
| | C6266C-01702C | Lead Screw (for 2000 models) | | 1 |
| | C6266C-01702CN | Lead Screw (for 2200 models) | | 1 |
| | C6266C-01702D | Lead Screw (for 3000 models) | | 1 |
| 22 | C6140W-01705 | Hex Control Rod (for 1000 models) | | 1 |
| | C6266C-01705B | Hex Control Rod (for 1500 models) | | 1 |
| | C6266C-01705C | Hex Control Rod (for 2000 models) | | 1 |
| | C6266C-01705CN | Hex Control Rod (for 2200 models) | | 1 |
| | C6266C-01705D | Hex Control Rod (for 3000 models) | | 1 |
| 23 | C6140W-01724 | Sleeve | | 1 |
| 24 | C6140W-01725 | Sleeve | | 1 |
| 25 | C6140W-01302 | Copper Sleeve | | 1 |
| 26 | C6140W-01301 | Copper Sleeve | | 1 |
| 27 | C6140W-01109 | Bracket | | 1 |
| 28 | GB70 | Hex Socket Cap Screw | M8x20 | 1 |
| 29 | GB70 | Hex Socket Cap Screw | M10x70 | 1 |
| 30 | GB70 | Hex Socket Cap Screw | M10x25 | 1 |
| 31 | GB118 | Taper Pin | 8x35 | 2 |

| | | | | |
|----|--------------|------------------------|--------|---|
| 32 | GB97 | Flat Washer | 6 | 8 |
| 33 | GB70 | Hex Socket Cap Screw | M6x8 | 8 |
| 34 | C6140W-01726 | Cover | | 1 |
| 35 | C6140W-01732 | Cover | | 1 |
| 36 | GB818 | Cross Head Screw | M6x8 | 2 |
| 37 | GB118 | Taper Pin | 8x45 | 6 |
| 38 | GB70 | Hex Socket Cap Screw | M10x35 | 6 |
| 39 | C6266C-01704 | Rack (for 1000 models) | | 2 |
| | C6266C-01704 | Rack (for 1500 models) | | 1 |
| | C6266C-01704 | Rack (for 2000 models) | | 1 |
| | C6266C-01704 | Rack (for 2200 models) | | 2 |
| | C6266C-01704 | Rack (for 3000 models) | | 1 |
| 40 | C6140W-01719 | Rack (for 1000 models) | | 2 |
| | C6140W-01719 | Rack (for 1500 models) | | 4 |
| | C6140W-01719 | Rack (for 2000 models) | | 5 |
| | C6140W-01719 | Rack (for 2200 models) | | 5 |
| | C6140W-01719 | Rack (for 3000 models) | | 8 |
| 41 | GB70 | Hex Socket Cap Screw | M10x85 | 2 |
| 42 | C6266C-01103 | Gap | | 1 |
| 43 | GB118 | Taper Pin | 16x60 | 2 |
| 44 | GB70 | Hex Socket Cap Screw | M16x50 | 4 |
| 45 | GB62 | Alary Nut A | M8 | 2 |
| 46 | C6266C-01709 | Screw | | 2 |
| 47 | C6266C-01708 | Screw | | 2 |
| 48 | C6266C-HA048 | Steel Wire | Φ 1.5 | 1 |
| 49 | C6140W-01733 | Pin | | 1 |
| 50 | GB5782 | Hex Bolt | M20x80 | 4 |
| 51 | GB97.2 | Flat Washer | 20 | 8 |

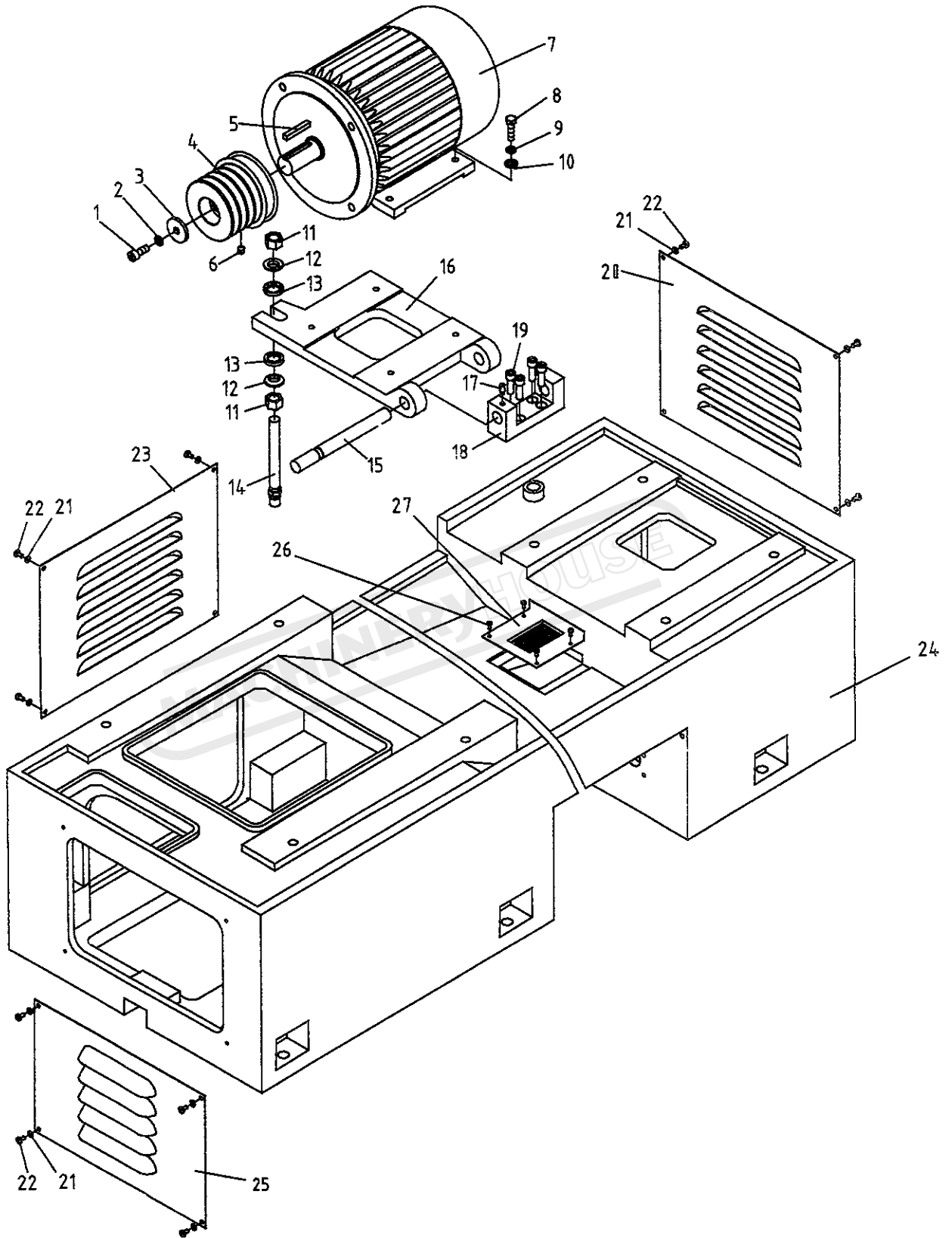
Bed Assembly I



Bed Assembly II

| Index No. | Part No. | Description | Size | Qty. |
|-----------|----------------|---|--------|------|
| 1 | GB70 | Hex Socket Cap Screw | M12x30 | 1 |
| 2 | GB93 | Spring Washer | 12 | 1 |
| 3 | C6266C-01706 | Washer | | 1 |
| 4 | C6266C-01105 | Pulley | | 1 |
| 5 | GB1096 | Flat Key | | 1 |
| 6 | GB71 | Slotted Set Screw | M12x16 | 1 |
| 7 | Y132M-4TH/B3 | Motor | 7.5W | 1 |
| 8 | GB5782 | Hex Bolt | M10x40 | 4 |
| 9 | GB93 | Spring Washer | 10 | 4 |
| 10 | GB97.2 | Flat Washer | 10 | 4 |
| 11 | GB6170 | Hex Nut | M20 | 2 |
| 12 | GB850 | Taper Washer | | 2 |
| 13 | GB849 | Ball Washer | | 2 |
| 14 | C6140W-01714 | Double Bolt | | 1 |
| 15 | C6266C-01711 | Shaft | | 1 |
| 16 | C6266C-01104 | Motor Mounting Plate | | 1 |
| 17 | GB75 | Slotted Set Screws | M10x14 | 1 |
| 18 | C6266C-01107 | Support | | 1 |
| 19 | GB70 | Hex Socket Cap Screw | M12x35 | 4 |
| 20 | C6266C-01701 | Cover | | 1 |
| 21 | GB97 | Flat Washer | 6 | 12 |
| 22 | GB818 | Cross Head Screw | M6x5 | 12 |
| 23 | C6266C-01710 | Cover | | 1 |
| 24 | C6266C-01102A | Bed Stand (for 1000 models) | | 1 |
| | C6266C-01102B | Bed Stand (for 1500 models) | | 1 |
| | C6266C-01102C | Bed Stand (for 2000 models) | | 1 |
| | C6266C-01102CN | Bed Stand (for 2200 models) | | 1 |
| | C6266C-01108 | Front Bed Stand (for 3000 models not show) | | 1 |
| | C6266C-01109 | Middle Bed Stand (for 3000 models not show) | | 1 |
| | C6266C-01110 | Behind Bed Stand (for 3000 models not show) | | 1 |
| 25 | C6266C-01707 | Cover | | 1 |
| 26 | GB818 | Cross Head Screw | M5x6 | 4 |
| 27 | 1440R-01705 | Water Leaking Chip Guard | | 1 |

Bed Assembly II



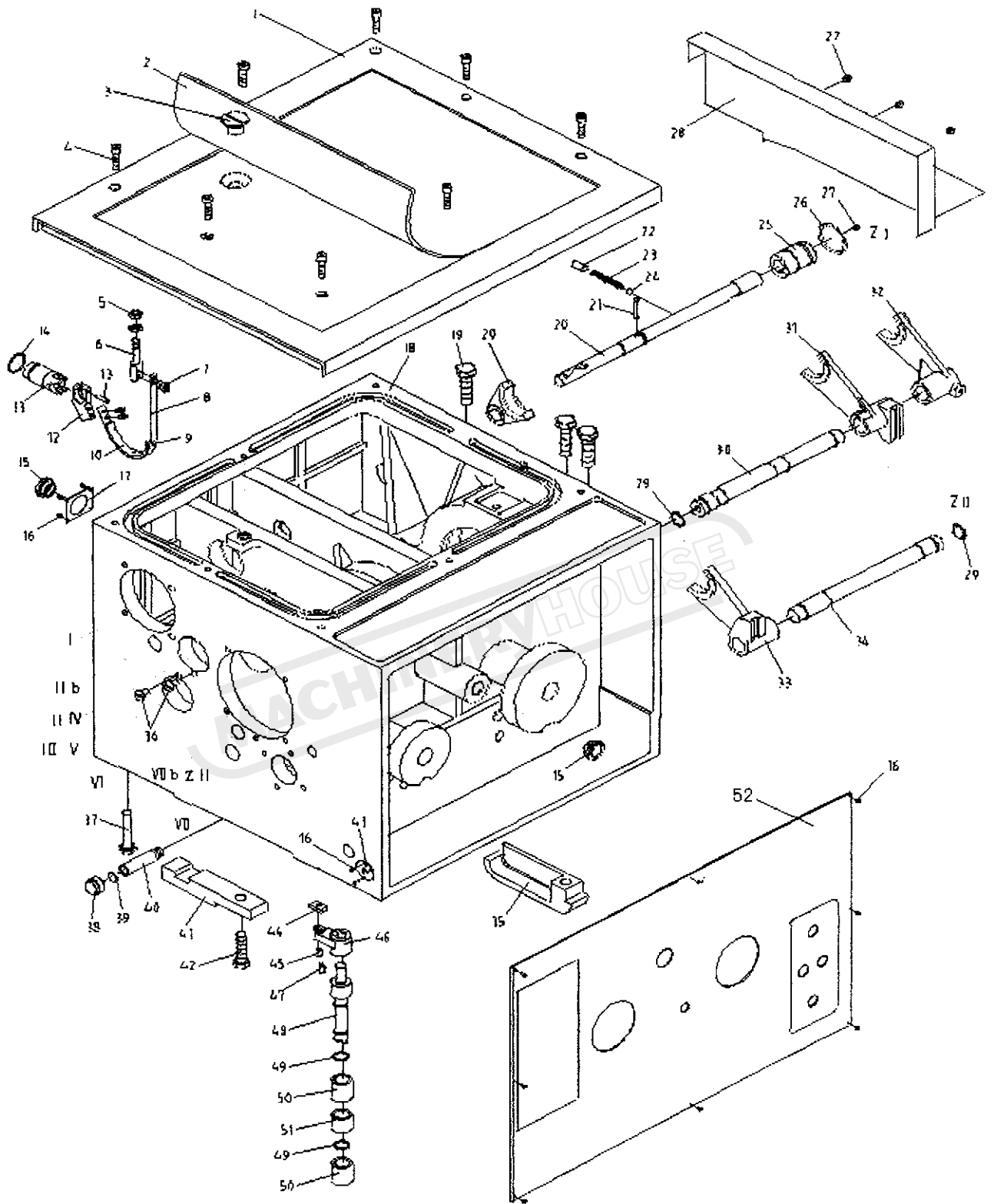
Headstock Assembly I

| Index No. | Part No. | Description | Size | Qty. |
|-----------|--------------|-------------------------------|-----------|------|
| 1 | C6266C-02502 | Headstock Cover | | 1 |
| 2 | C6266C-02501 | Rubber Gasket | | 1 |
| 3 | C6140W-02835 | Sunk Screw | | 1 |
| 4 | GB70 | Hex Socket Cap Screw | M10x35 | 8 |
| 5 | GB6172 | Hex Flat Screw | M12 | 2 |
| 6 | C6266C-02768 | Braking Belt Support | | 1 |
| 7 | GB65 | Slotted Socket Cap Screw | M6x10 | 4 |
| 8 | C6266C-02767 | Braking Belt | | 1 |
| 9 | GB867 | Half Circle Rivet | 3x10 | 3 |
| 10 | C6266C-02503 | Braking Friction Disk | | 1 |
| 11 | GB119 | Pin | 6n6x14 | 1 |
| 12 | C6266C-02770 | Braking Belt Support | | 1 |
| 13 | C6266C-02769 | Shaft | | 1 |
| 14 | GB3452.1 | Ring Seal | 30x2.65 | 1 |
| 15 | R51-2 | Oil Glass | | 2 |
| 16 | GB818 | Cross Recessed Pen Head Screw | M3x4 | 7 |
| 17 | C6266C-02306 | Sign Plate | | 1 |
| 18 | C6266C-02101 | Headstock | | 1 |
| 19 | GB5782 | Hexagon Head Bolt | M20x75 | 3 |
| 20 | C6266C-02125 | Fork | | 1 |
| 21 | GB118 | Pin | 8x40 | 1 |
| 22 | GB71 | Slotted Set Screw | M12x30 | 1 |
| 23 | Q81-1 | Spring | 1.6x8x70 | 1 |
| 24 | GB308 | Boll | 10 | 1 |
| 25 | C6140W-02105 | Bushing | | 1 |
| 26 | GB3452.1 | Ring Seal | 38.7x3.55 | 1 |
| 27 | GB818 | Cross Head Screw | M6x8 | 1 |
| 28 | C6266C-02757 | Cover | | 1 |
| 29 | GB3452.1 | Ring Seal | 26.5x2.65 | 2 |
| 30 | C6266C-02761 | Control Shaft | | 1 |
| 31 | C6266C-02128 | Fork | | 1 |
| 32 | C6266C-02124 | Fork | | 1 |
| 33 | C6266C-02120 | Fork | | 1 |
| 34 | C6266C-02762 | Control Shaft | | 1 |
| 35 | C6140W-02141 | Front Cover | | 1 |
| 36 | C6140W-02711 | Screw | | 3 |
| 37 | GB5782 | Hexagon Head Bolt | M16x80 | 2 |
| 38 | C6140W-02504 | Washer | | 1 |
| 39 | C6140W-02831 | Nut | | 1 |
| 40 | C6140W-02832 | Drain Pipe | | 1 |
| 41 | C6140W-02833 | Clamping Plate | | 1 |
| 42 | GB5782 | Hexagon Head Bolt | M16x60 | 1 |
| 43 | C6266C-02303 | Sign Plate | | 1 |

| | | | |
|----|--------------|----------------------------|---|
| 44 | C6140W-02143 | Slide Block | 1 |
| 45 | GB119 | Pin..... n6x20 | 1 |
| 46 | C6140W-02129 | Rocker | 1 |
| 47 | GB1099 | Half Circle Key..... 6x22 | 1 |
| 48 | C6266C-02763 | Shaft | 1 |
| 49 | G51-2A | Ring Seal..... 25x2.4 | 2 |
| 50 | C6140W-02127 | Collar | 2 |
| 51 | C6266C-02119 | Collar | 1 |
| 52 | C6266C-02305 | Label | 1 |
| 53 | GB818 | Cross Head Screw..... M3x6 | 8 |
| 54 | C6266C-02721 | Positioning Shaft | 1 |



Headstock Assembly I



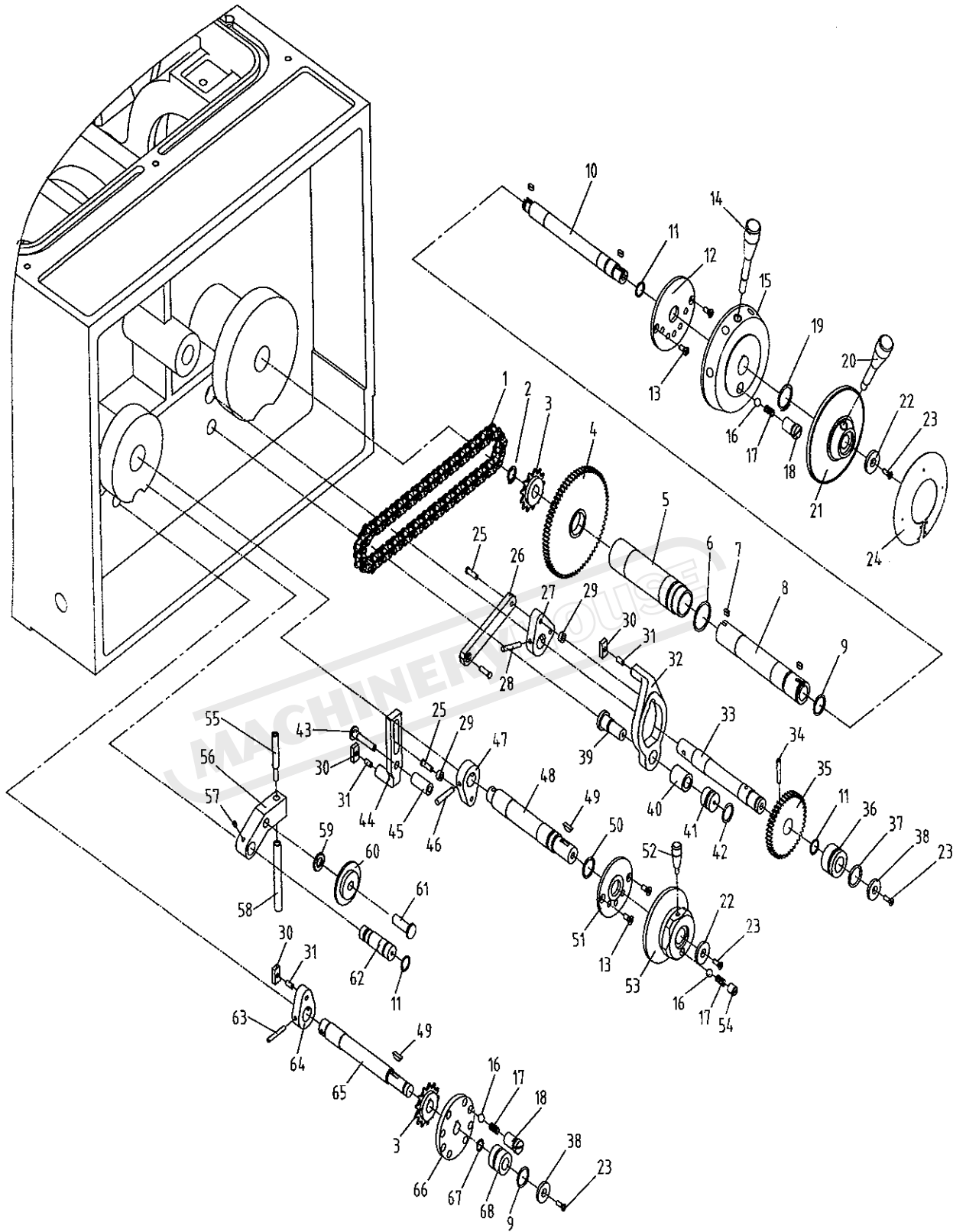
Headstock Assembly II

| Index No. | Part No. | Description | Size | Qty. |
|-----------|--------------|----------------------------|-----------|------|
| 1 | | Chain | 12.7x58 | 1 |
| 2 | GB894.1 | Circlip For Shaft | 16 | 1 |
| 3 | C6140W-02808 | Chain wheel | | 2 |
| 4 | C6266C-02751 | Gear | | 1 |
| 5 | C6266C-02780 | Sleeve | | 1 |
| 6 | GB3452.1 | Ring Seal | 34.5x2.65 | 1 |
| 7 | GB1096 | Key | 5x10 | 3 |
| 8 | C6266C-02753 | Collar | | 1 |
| 9 | GB3452.1 | Ring Seal | 25x2.65 | 2 |
| 10 | C6266C-02752 | Shaft | | 1 |
| 11 | GB3452.1 | Ring Seal | 17x1.8 | 3 |
| 12 | C6266C-02756 | Positioning Disc | | 1 |
| 13 | GB819 | Cross Recessed head Screws | M6x14 | 4 |
| 14 | C6140W-02799 | Lever | | |
| 15 | C6266C-02114 | Lever Support | | 1 |
| 16 | GB308 | Boll | 10 | 3 |
| 17 | Q81-1 | Spring | 1.6x8x18 | 3 |
| 18 | C6266C-02754 | Positioning Screw | | 2 |
| 19 | GB894.1 | Circlip For Shaft | 30 | 1 |
| 20 | C6140W-02801 | Lever | | 1 |
| 21 | C6140W-02123 | Lever Support | | 1 |
| 22 | C6140W-02821 | Washer | | 2 |
| 23 | GB819 | Cross Recessed Head Screws | M5x16 | 6 |
| 24 | C6266C-02304 | Speed Label | | 1 |
| 25 | C6140W-02813 | Pin | | 2 |
| 26 | C6266C-02775 | Connector | | 1 |
| 27 | C6266C-02121 | Rocker | | 1 |
| 28 | GB117 | Taper Pin | 6x45 | |
| 29 | C6140W-02812 | Roller | | 2 |
| 30 | C6140W-02119 | Slide Block | | 3 |
| 31 | GB119 | Pin | 6n6x14 | 3 |
| 32 | C6266C-02122 | Fork | | 1 |
| 33 | C6266C-02765 | Axis | | 1 |
| 34 | GB117 | Taper Pin | 6x35 | 1 |
| 35 | C6266C-02749 | Gear | | 1 |
| 36 | C6266C-02112 | Collar | | 1 |
| 37 | GB3452.1 | Ring Seal | 30x2.65 | |
| 38 | C6266C-02750 | Washer | | 2 |
| 39 | C6266C-02764 | Pin | | 1 |
| 40 | C6266C-02123 | Collar | | 1 |
| 41 | C6266C-02111 | Plug | | 1 |
| 42 | GB3452.1 | Ring Seal | 20x2.65 | 1 |
| 43 | C6266C-02760 | Shaft | | 1 |
| 44 | C6266C-02118 | Fork | | 1 |

| | | | | |
|----|--------------|-------------------------|-----------|---|
| 45 | C6266C-02116 | Collar | | 1 |
| 46 | GB117 | Taper Pin | 6x40 | 1 |
| 47 | C6266C-02117 | Rocker | | 1 |
| 48 | C6266C-02759 | Shaft | | 1 |
| 49 | GB1099 | Key | 5 x19 | 2 |
| 50 | GB3452.1 | Ring Seal | 21.2x2.65 | 1 |
| 51 | C6266C-02758 | Positioning Disc | | 1 |
| 52 | C6140W-02822 | Lever | | 1 |
| 53 | C6266C-02115 | Lever Support | | 1 |
| 54 | GB73 | Set Screws | M12x14 | 1 |
| 55 | C6266C-02774 | Bolt | | 1 |
| 56 | C6266C-02129 | Rockerechard | | 1 |
| 57 | GB75 | Recessed Head Set Screw | M5 x8 | 1 |
| 58 | C6266C-02773 | Screw | | 1 |
| 59 | GB97.1 | Plain washers | 12 | 1 |
| 60 | C6140W-02826 | Tightening Wheel | | 1 |
| 61 | C6140W-02825 | Pin | | 1 |
| 62 | C6266C-02771 | Shaft | | 1 |
| 63 | GB117 | Taper Pin | 5x40 | 1 |
| 64 | C6266C-02127 | Rocker | | 1 |
| 65 | C6266C-02766 | Shaft | | 1 |
| 66 | C6266C-02772 | Positioning Disc | | 1 |
| 67 | GB3452.1 | Ring Seal | 12.5x1.8 | 1 |
| 68 | C6266C-02126 | Collar | | 1 |

MACHINERYHOUSE

Headstock Assembly II

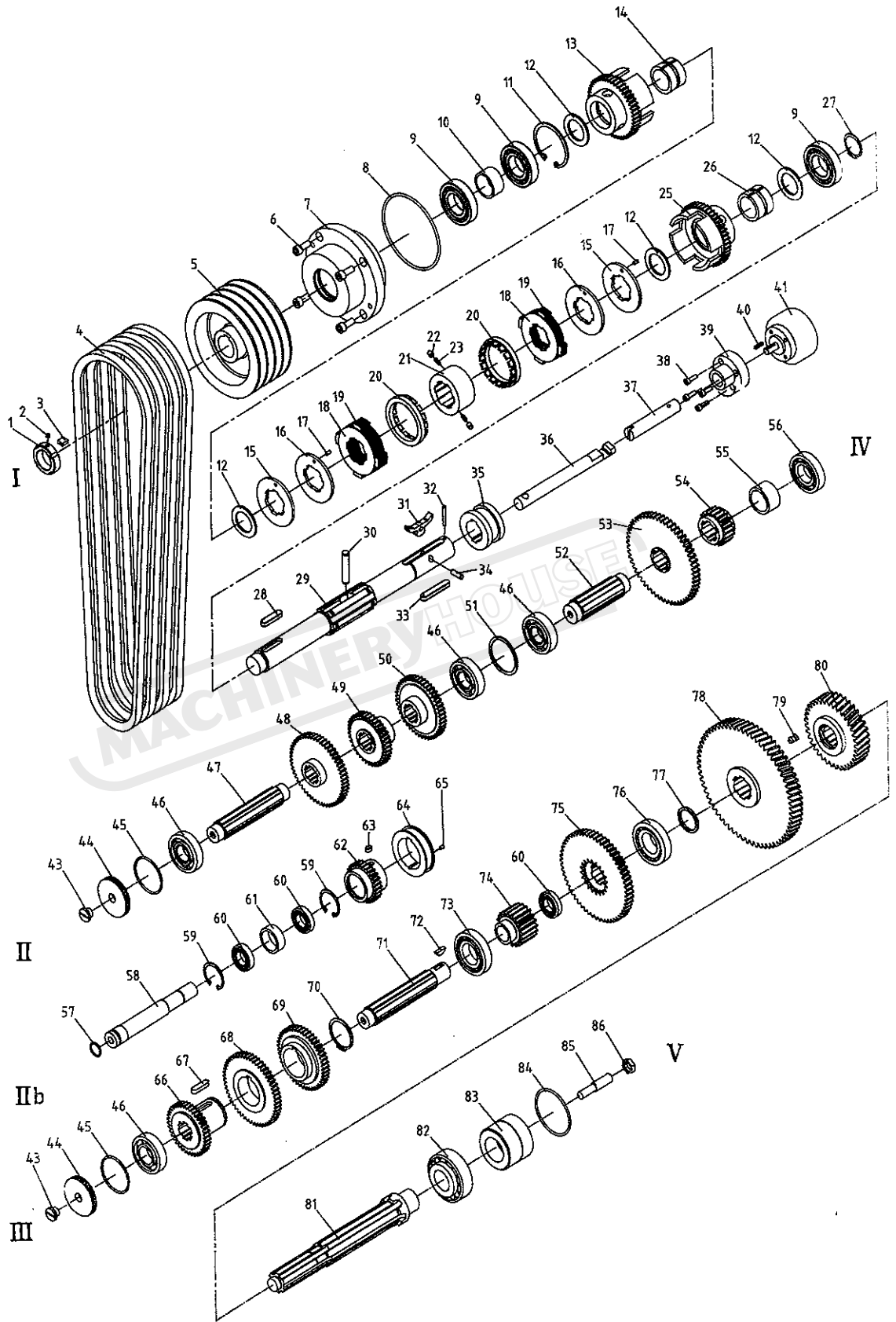


Headstock Assembly IV

| Index No. | Part No. | Description | Size | Qty. |
|-----------|------------------|----------------------------|----------|------|
| 1 | C6140W-02752-1/2 | Round Nut | | 1 |
| 2 | GB77 | Hexagon Socket Set Screws | M6x6 | 1 |
| 3 | C6140W-02752-2/2 | Clamping Plate | | 1 |
| 4 | B2464 | Belt | | 4 |
| 5 | C6266C-02107 | Pulley | | 1 |
| 6 | GB70 | Hex Cap Head Screws | M10x25 | 4 |
| 7 | C6266C-02105 | Bearing Cover | | 1 |
| 8 | GB3452.1 | Ring Seal | 125x3.55 | 1 |
| 9 | 6208 | Ball Bearing | | 3 |
| 10 | C6266C-02106 | Sleeve | | 1 |
| 11 | GB894.1 | Circlip For Shaft | 40 | 1 |
| 12 | C6266C-02723 | Sleeve | | 3 |
| 13 | C6140W-02745 | Outterfriction Disk | | 1 |
| 14 | C6266C-02302 | Collar | | 1 |
| 15 | C6140W-02748 | Washer | | 2 |
| 16 | C6140W-02747 | Was her | | 2 |
| 17 | GB119 | Pin | 5x10 | 2 |
| 18 | C6140W-02746 | Inner Friction Disk | | 1 |
| 19 | C6140W-02741 | Adjust Nut | | 2 |
| 20 | C6140W-02741 | Adjusting Nut | | 2 |
| 21 | C6266C-02727 | Sleeve Nut | | 1 |
| 22 | C6140W-02744 | Stop Pin | | 1 |
| 23 | Q81-1 | Spring | 0.8x5x16 | 2 |
| 25 | C6266C-02724 | Clutch Right Housing | | 1 |
| 26 | C6266C-02301 | Collar | | 1 |
| 27 | GB894.1 | Circlip For Shaft | 40 | 1 |
| 28 | GB1096 | Key | 12x50 | 1 |
| 29 | C6266C-02731 | I Shaft | | 1 |
| 30 | GB119 | Pin | 12x70 | 1 |
| 31 | C6240W-02732 | Lever | | 1 |
| 32 | GB119 | Pin | 5x40 | 1 |
| 33 | GB1096 | Key | 12x70 | 1 |
| 34 | GB119 | Pin | 8x25 | 1 |
| 35 | C6140W-02733 | Clamping Ring | | 1 |
| 36 | C6266C-02728 | Shaft | | 1 |
| 37 | C6266C-02722 | Shaft | | 1 |
| 38 | GB70 | Hex Socket Cap Head Screws | M6x20 | 3 |
| 39 | C6140W-02106 | Pump Support | | 1 |
| 40 | GB1096 | Key | 4 x 16 | 1 |
| 41 | DB-B4 | | | 1 |
| 43 | C6266C-02740 | Bolt | | 2 |
| 44 | C6266C-02736 | Cover | | 2 |
| 45 | GB3452.1 | Ring Seal | 65x3.55 | 2 |

| | | | | |
|----|--------------|-------------------|-----------|---|
| 46 | 6306 | Bearing | | 3 |
| 47 | C6266C-02735 | II Shaft | | 1 |
| 48 | C6266C-02734 | Gear | | 1 |
| 49 | C6266C-02733 | Gear | | 1 |
| 50 | C6266C-02732 | Gear | | 2 |
| 51 | C6266C-02737 | Circlip | | 1 |
| 52 | C6266C-02718 | IV Shaft | | 1 |
| 53 | C6266C-02720 | Gear | | 1 |
| 54 | C6266C-02719 | Gear | | 1 |
| 55 | C6266C-02103 | Sleeve | | |
| 56 | 6207 | Bearing | | 2 |
| 57 | GB3452.1 | Ring Seal | 25x2.65 | 1 |
| 58 | C6266C-02729 | II b Shaft | | |
| 59 | GB893.1 | | 47 | 2 |
| 60 | 6005 | Bearing | | 2 |
| 61 | C6266C-02104 | Sleeve | | 1 |
| 62 | C6266C-02726 | Gear | | |
| 63 | GB1096 | Key | 8x12 | 1 |
| 64 | C6266C-02725 | Braking Wheel | | |
| 65 | GB73 | Set Screws | M5x8 | 1 |
| 66 | C6266C-02741 | Gear | | |
| 67 | GB1096 | Key | 10x40 | 1 |
| 68 | C6266C-02738 | Gear | | |
| 69 | C6266C-02742 | Gear | | |
| 70 | GB894.1 | Circlip For Shaft | 55 | 1 |
| 71 | C6266C-02739 | III Shaft | | |
| 72 | GB1099 | Half Circle Key | 6 x 22 | |
| 73 | 6208 | Bearing | | 1 |
| 74 | C6266C-02717 | Gear | | |
| 75 | C6266C-02716 | Gear | | |
| 76 | 32208 | Bearing | | 1 |
| 77 | GB894.1 | Circlip For Shaft | 55 | 1 |
| 78 | C6266C-02715 | Gear | | |
| 79 | C6140W-02733 | Clamping Sleeve | | 3 |
| 80 | C6266C-02714 | Gear | | |
| 81 | C6266C-02713 | V Shaft | | |
| 82 | 32308 | Bearing | | 1 |
| 83 | C6140W-02103 | VI Shaft Plug | | |
| 84 | GB3452.1 | Ring Seal | 82.5x3.55 | 1 |
| 85 | C6140W-02717 | Socket Head Screw | | 1 |
| 86 | GB6173 | Nut | M16x1.5 | 1 |

Headstock Assembly IV



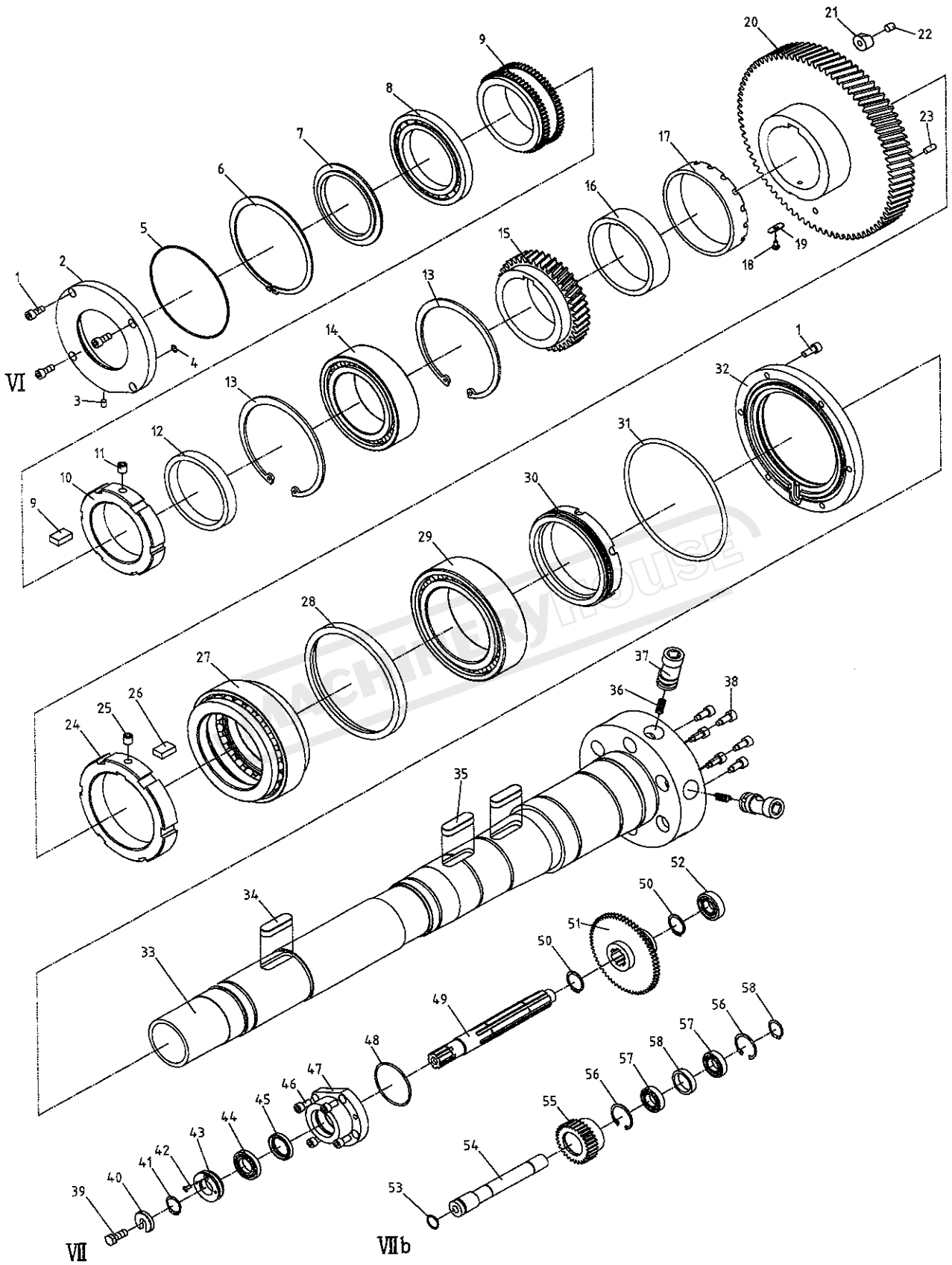
Headstock Assembly V

| Index No. | Part No. | Description | Size | Qty. |
|-----------|----------------|----------------------------|---------|------|
| 1 | GB70 | Hex Socket Cap Head Screws | M10x25 | 6 |
| 2 | C6266C-02108 | Back Flange Cover | M6x6 | 1 |
| 3 | GB119 | Pin | 6x8 | 1 |
| 4 | B2464 | Belt | | 4 |
| 5 | GB3452.1 | Ring Seal | 18x2.65 | 1 |
| 6 | GB894.1 | Circlip For Shaft | 120 | 1 |
| 7 | C6266C-02744 | Bearing Back Circlip | | 1 |
| 8 | 16024 | Bearing | | 1 |
| 9 | C6266C-02743 | Double Gear | | 1 |
| 10 | C6266C-02702 | Round Nut | | 1 |
| 11 | GB77 | Hex Socket Set Screws | M12x12 | 3 |
| 12 | C6266C-02703 | Circlip | | 1 |
| 13 | GB893.1 | Circlip For Bore | 200 | 2 |
| 14 | NN3026K | Bearing | | 1 |
| 15 | C6266C-02704 | Gear | | 1 |
| 16 | C6266C-02705 | Thread Sleeve | | 1 |
| 17 | C6266C-02706 | Nut | | 1 |
| 18 | GB67 | | M6x10 | 1 |
| 19 | C6140W-02715 | Fixing Plate | | 2 |
| 20 | C6266C-02707 | Gear | | 1 |
| 21 | C6140W-02704 | Balance Block | | 6 |
| 22 | GB78 | Hex Socket Set Screws | M8x12 | 6 |
| 23 | GB119 | Pin | 6x16 | 1 |
| 24 | C6266C-02708-1 | Round Nut | | 1 |
| 25 | GB79 | Hex Socket Set Screws | M12x16 | 3 |
| 26 | C6266C-02708-2 | Pin | | 3 |
| 27 | 2268930 | Bearing | | 1 |
| 28 | C6266C-02709 | Bearing Circlip | | 1 |
| 29 | NN3030K | Bearing | | 1 |
| 30 | C6266C-02710 | Round Nut | | 1 |
| 31 | GB3452.1 | Ring Seal | 250x5.3 | 1 |
| 32 | C6266C-02102 | Front Flange Cover | | 1 |
| 33 | C6266C-02701 | Spindle | | 1 |
| 34 | GB1096 | Key | 10x40 | 1 |
| 35 | GB1096 | Key | 10x50 | 2 |
| 36 | Q81-1 | Spring | 1x8x16 | 6 |
| 37 | C6266C-02711 | Cam | | 1 |
| 38 | C6266C-02712 | Positioning Screw | | 1 |
| 39 | GB5782 | Hex Head Bolts | M12x30 | 1 |
| 40 | GB85 | Set Screw | 12 | 1 |
| 41 | GB894.1 | Circlip For Shaft | 30 | 1 |
| 42 | GB68 | Slotted Head Screws | M5x12 | 1 |
| 43 | C6140W-02776 | Adjust Screw | | 1 |

| | | | | |
|----|--------------|-------------------|-------------|---|
| 44 | 6006 | Bearing | | 1 |
| 45 | GB13871 | Seal | B-35x51x8 | 1 |
| 46 | GB70 | | M10x20 | 4 |
| 47 | C6266C-02110 | Bearing Cover | | |
| 48 | GB13871 | Seal | B-35 x51 x8 | 1 |
| 49 | C6266C-02747 | VII Shaft | | |
| 50 | GB894.1 | | 35 | 2 |
| 51 | C6266C-02746 | Gear | | 1 |
| 52 | 6205 | Bearing | | 1 |
| 53 | GB3452.1 | Ring Seal | 10x1.8 | 1 |
| 54 | C6266C-02748 | VII b Shaft | | 1 |
| 55 | C6266C-02745 | Gear | | 1 |
| 56 | GB893.1 | Circlip For Bore | 47 | 2 |
| 57 | 6005 | Bearing | | 2 |
| 58 | GB894.1 | Circlip For Shaft | 25 | 1 |
| 59 | C6266C-02109 | Sleeve | | 1 |

MACHINERYHOUSE

Headstock Assembly V

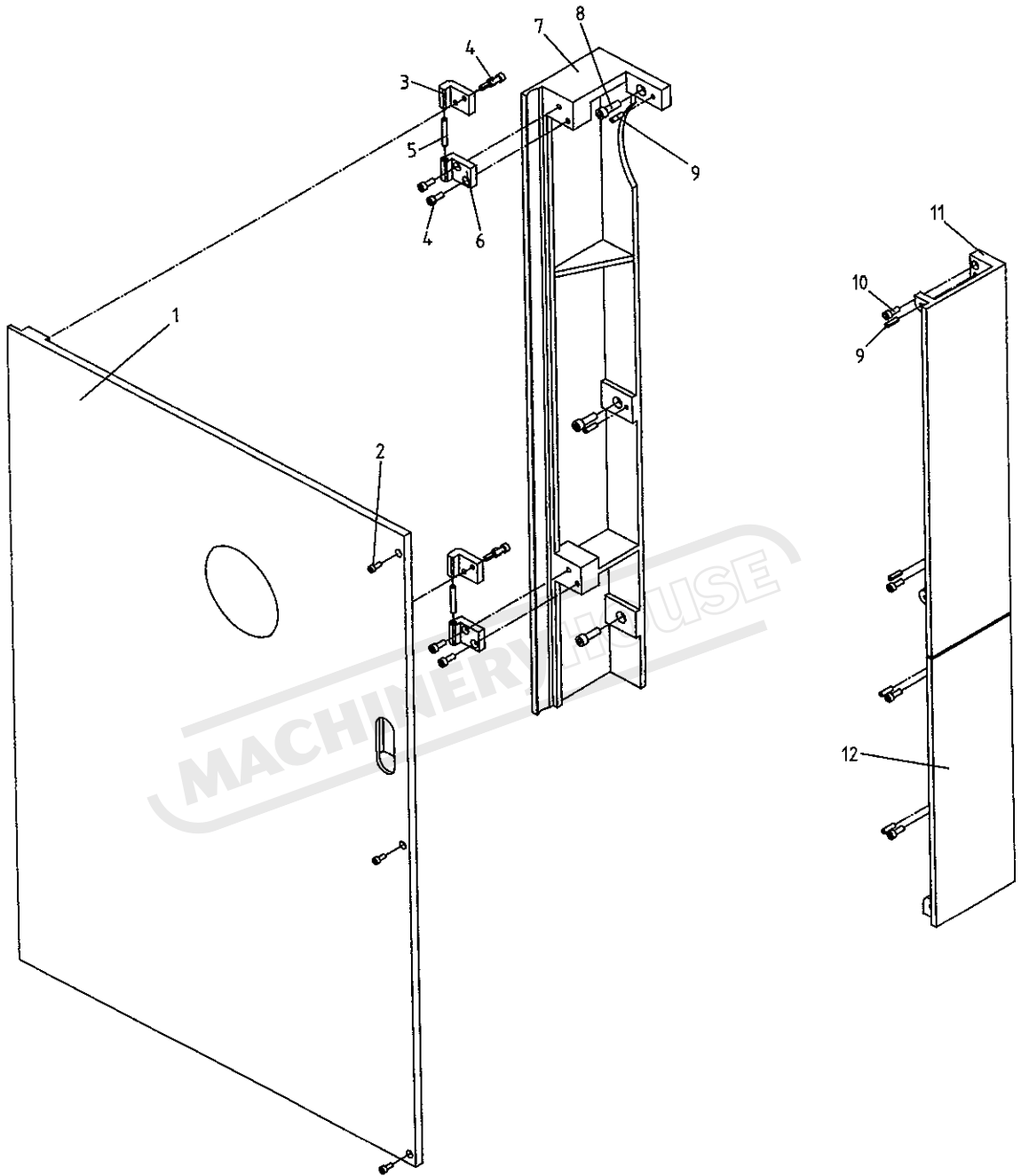


Headstock Assembly III

| Index No. | Part No. | Description | Size | Qty. |
|-----------|--------------|------------------------|--------|------|
| 1 | C6266C-08501 | Back Cover | | 1 |
| 2 | GB70 | Hex Socket Cap Screw | M5x12 | 3 |
| 3 | C6266C-08706 | Upper Hinge | | 2 |
| 4 | GB879 | Straight Pin | 5x20 | 2 |
| 5 | GB119 | Pin | 6h8x40 | 2 |
| 6 | C6266C-08707 | Lower Hinge | | 2 |
| 7 | C6266C-08504 | Rear Side Plate | | 1 |
| 8 | GB70 | Hex Socket Cap Screw | M6x16 | 8 |
| 9 | GB879 | Straight Pin | 5x20 | 4 |
| 10 | GB70 | Hex Socket Cap Screw | M6x14 | |
| 11 | C6266C-08502 | Upper Front Side Plate | | 1 |
| 12 | C6266C-08503 | Lower Front Side Plate | | 1 |

MACHINERYHOUSE

Headstock Assembly III

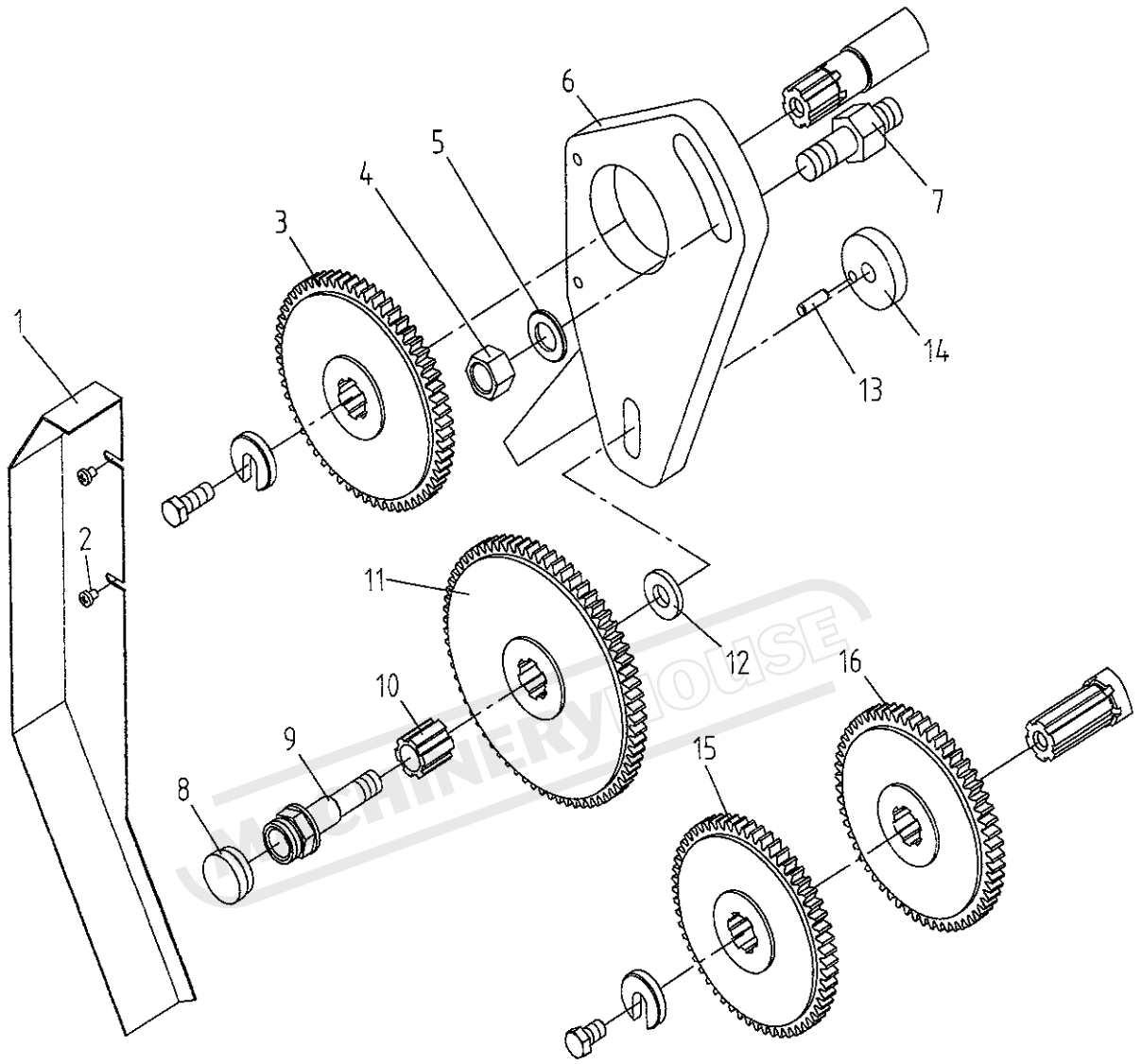


Gear Assembly

| Index No. | Part No. | Description | Size | Qty. |
|-----------|----------------------|---------------|----------|------|
| 1 | C6266C-08708 | Splash Guard | | 1 |
| 2 | GB818 | | M6x8 | 2 |
| 3 | C6266C-08702 (m) | Gear | 2.75m60T | 1 |
| | C6266C-08702 (i n) | Gear | 2m82T | 1 |
| 4 | GB6172 | Nut | M20 | 1 |
| 5 | GB97.2 | Washer | 20 | 1 |
| 6 | C6266C-08101 | Gear Frame | | 1 |
| 7 | C6266C-02776 | Bolt | | 1 |
| 8 | C6140W-08703 | Nut Cover | | 1 |
| 9 | C6140W-08702 | Gear Shaft | | 1 |
| 10 | C6140W-08301 | Spline Sleeve | | 1 |
| 11 | C6266C-08102 (m) | Gear | 2.75m69T | 1 |
| | C6266C-08102 (i n) | Gear | 2m97T | 1 |
| 12 | C6266C-08701 | Washer | | 1 |
| 13 | GB119 | Pin | 8n6x20 | 1 |
| 14 | C6140W-08704 | Position Nut | | 1 |
| 15 | C6266C-08703 (m) | Gear | 2.75m56T | 1 |
| | C6266C-08703 (i n) | Gear | 2m81T | 1 |
| 16 | C6266C-08704 (m) | Gear | 2.75m57T | 1 |
| | C6266C-08704 (i n) | Gear | 2m69T | 1 |

MACHINERY

Gear Assembly

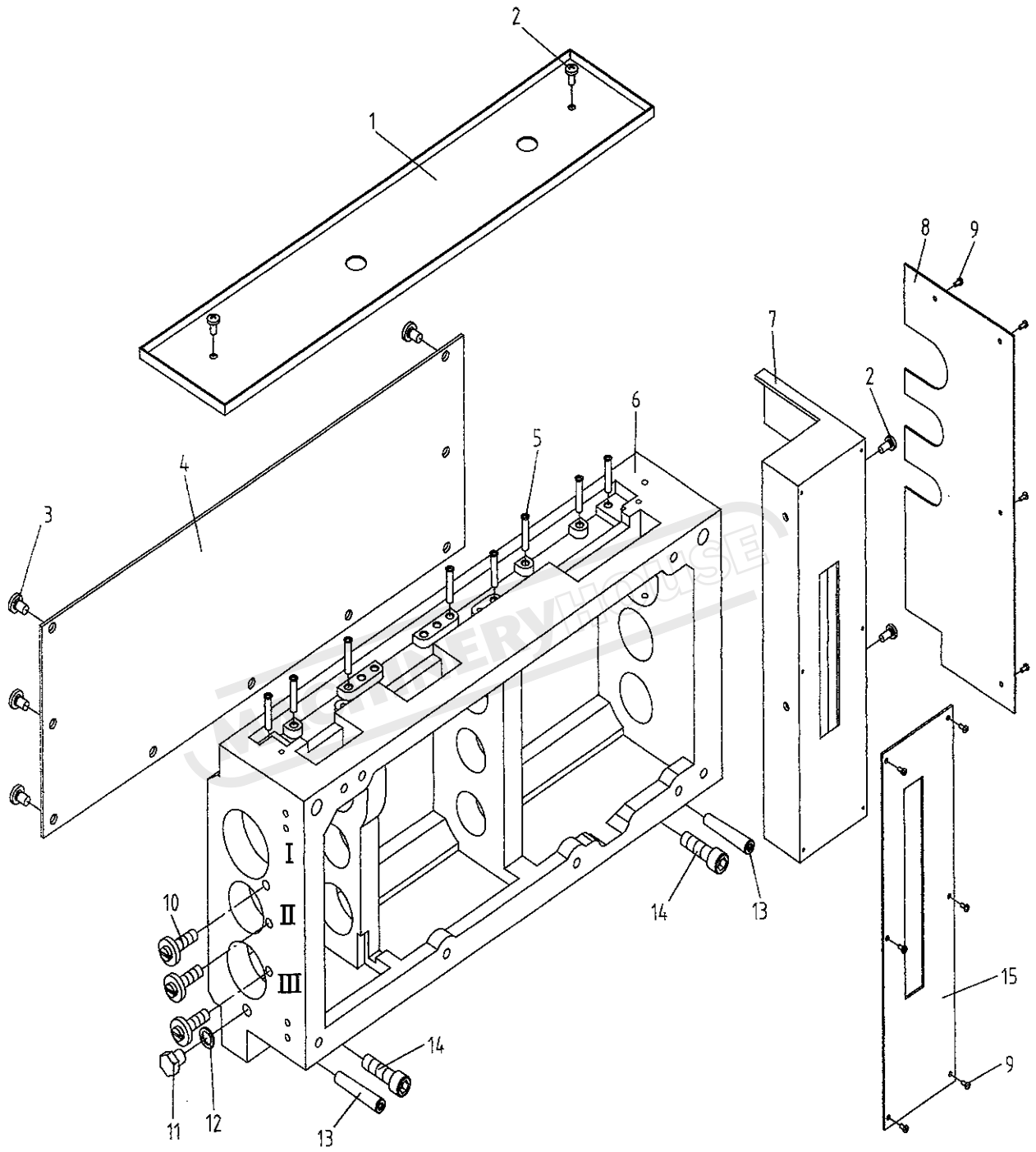


Gear Box Assembly I

| Index No. | Part No. | Description | Size | Qty. |
|------------------|-----------------|--------------------------------|-------------|-------------|
| 1 | C6140W-05504 | Upper Cover | | 1 |
| 2 | GB70 | Hex Socket Cap Screw | M6x40 | 2 |
| 3 | GB818 | Cross Recessed Pan Head Screws | M8x12 | 9 |
| 4 | C6140W-05729 | Back Cover | | 1 |
| 5 | C6140W-05302 | Copper Pipe | | 12 |
| 6 | C6140W-05101 | Feed Box Casting | | 1 |
| 7 | C6140W-05766 | Casting | | 1 |
| 8 | C6140W-05765 | Side Splash Guard | | 1 |
| 9 | GB818 | Cross Recessed Pan Head Screws | M3x6 | 8 |
| 10 | C6140W-05728 | Bolt With Washer | | 3 |
| 11 | G38-2A | Bolt | M12x1.5 | 1 |
| 12 | G52-1 | Washer | 12 | 1 |
| 13 | GB118 | Taper Pin | 10x60 | 2 |
| 14 | GB70 | Hex Socket Cap Screw | M12x40 | 2 |
| 15 | C6140W-05303 | Panel | | 1 |

MACHINERYHOUSE

Gear Box Assembly I



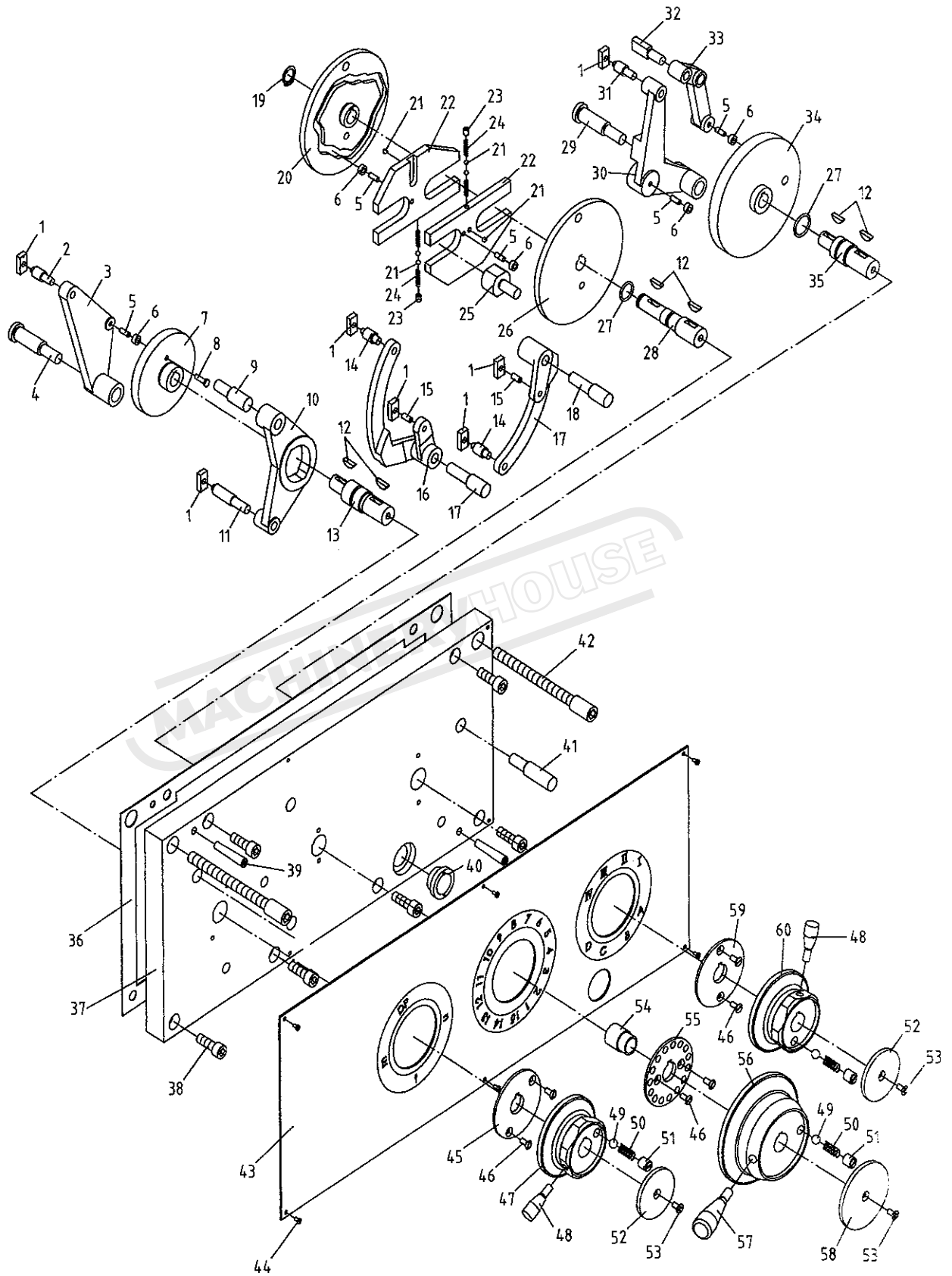
Gear Box Assembly II

| Index No. | Part No. | Description | Size | Qty. |
|-----------|--------------|--------------------------------|-----------|------|
| 1 | C6140W-05109 | Sliding Block | | 7 |
| 2 | C6140W-05701 | Shaft | | 2 |
| 3 | C6140W-05105 | Ratio Change Rocker | | 1 |
| 4 | C6140W-05709 | Rocker Shaft | | 2 |
| 5 | GB119 | Pin | 5x14 | 6 |
| 6 | C6140W-05720 | Roller | | 6 |
| 7 | C6140W-05708 | Cam | | 1 |
| 8 | C6140W-05703 | Roller Shaft | | 1 |
| 9 | C6140W-05702 | Shaft | | 1 |
| 10 | C6140W-05103 | Rocker | | 1 |
| 11 | C6140W-05710 | Shaft | | 1 |
| 12 | GB1099 | Key | 5x19 | 6 |
| 13 | C6140W-05707 | Shaft | | |
| 14 | C6140W-05711 | Shaft | | |
| 15 | GB119 | Pin | 6x14 | 2 |
| 16 | C6140W-05110 | Shaft | | 1 |
| 17 | C6140W-05106 | Upper Rocker | | 1 |
| 18 | C6140W-05712 | Shaft | | 1 |
| 19 | GB894.1 | Circlip For Shaft | 16 | 1 |
| 20 | C6140W-05717 | Cam | | 1 |
| 21 | GB308 | Steel Ball | 5 | 6 |
| 22 | C6140W-05719 | Pulley | | 2 |
| 23 | GB73 | | M6x8 | 2 |
| 24 | Q81-1 | Spring | 0.6x4 x20 | 4 |
| 25 | C6140W-05718 | Positioning Column | | 1 |
| 26 | C6140W-05109 | Sliding Block | | |
| 27 | G51-2A | Ring Seal | 25 x2.4 | 2 |
| 28 | C6140W-05716 | Handle Axle | | 1 |
| 30 | C6140W-05112 | Rocker | | 1 |
| 31 | C6140W-05721 | Shaft | | 1 |
| 32 | C6140W-05722 | Shaft | | 1 |
| 33 | C6140W-05111 | Rocker | | 1 |
| 34 | C6140W-05725 | Cam | | 1 |
| 35 | C6140W-05723 | Shaft | | 1 |
| 36 | C6140W-05501 | Washer | | 1 |
| 37 | C6140W-05115 | Front Cover | | 1 |
| 38 | GB70 | Hex Socket Cap Screw | M10x30 | 6 |
| 39 | GB118 | Pin | 8x50 | 2 |
| 40 | | Oil Sight Glass | | 1 |
| 41 | C6140W-05721 | Shaft | | 1 |
| 42 | C6140W-05727 | Hex Socket Cap Screw | | |
| 43 | C6140W-05301 | Panel | | |
| 44 | GB818 | Cross Recessed Pan Head Screws | M3x6 | 6 |

| | | | | |
|----|--------------|----------------------------|-----------|---|
| 45 | C6140W-05704 | Positioning Disc | | |
| 46 | GB68 | Slotted Head Screws | M6x12 | 6 |
| 47 | C6140W-05104 | Lever Support | | |
| 48 | C6140W-05705 | Lever | | 2 |
| 49 | GB308 | Steel Ball | 10 | 3 |
| 50 | Q81-1 | Spring | 1.6x8 x28 | 3 |
| 51 | GB73 | Slotted Set Screws | M12x14 | 3 |
| 52 | C6140W-05706 | Disk | | 2 |
| 53 | GB819 | Cross Recessed Head Screws | M5x12 | 3 |
| 54 | C6140W-05108 | Sleeve | | 1 |
| 55 | C6140W-05713 | Positioning Disc | | 1 |
| 56 | C6140W-05107 | Lever Support | | 1 |
| 57 | C6140W-05714 | Lever | | 1 |
| 58 | C6140W-05715 | Cover | | 1 |
| 59 | C6140W-05724 | Positioning Disc | | 1 |
| 60 | C6140W-05113 | Lever Support | | 1 |

MACHINERYHOUSE

Gear Box Assembly II



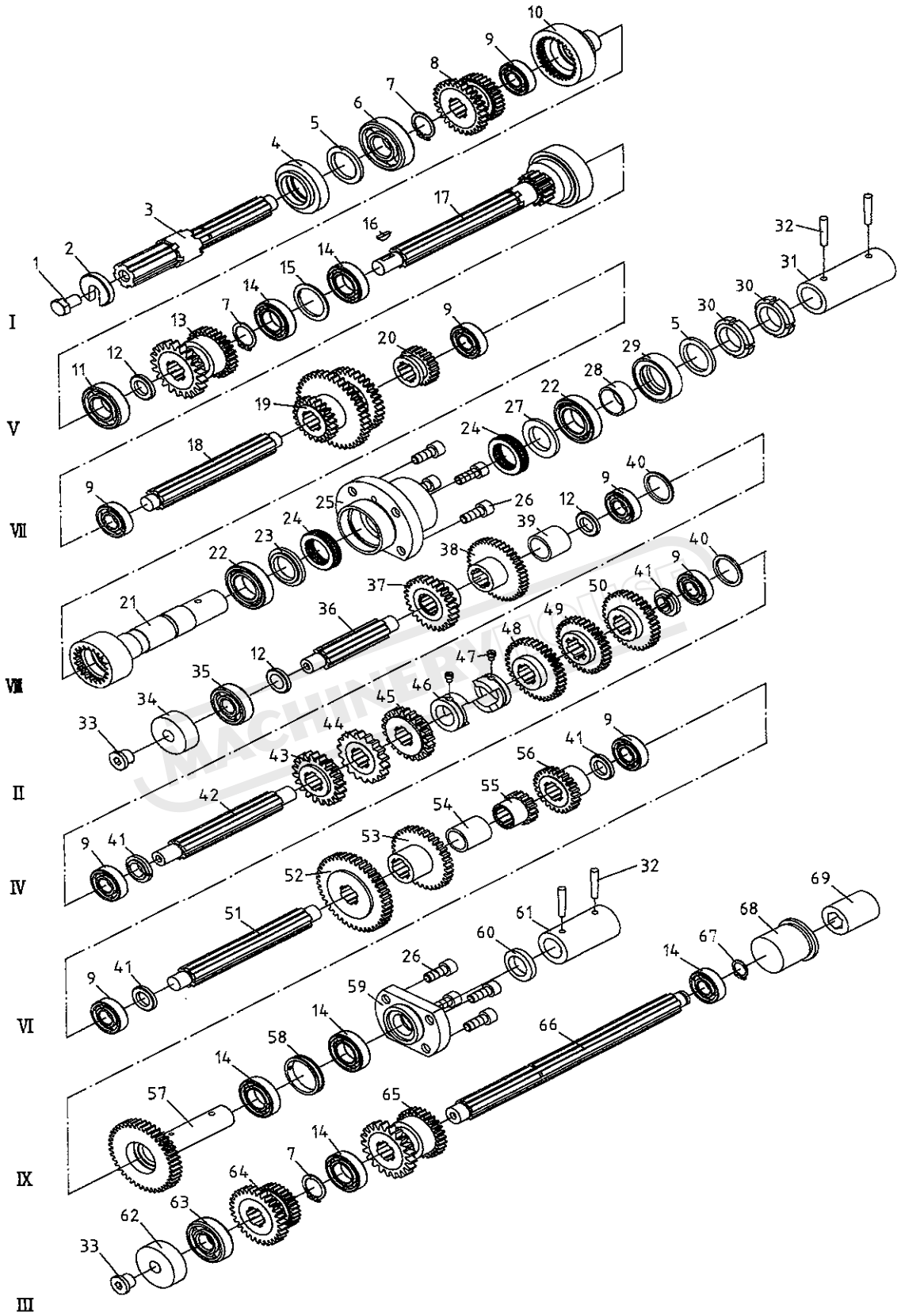
Gear Box Assembly III

| Index No. | Part No. | Description | Size | Qty. |
|-----------|--------------|--------------------|----------|------|
| 1 | GB5783 | Hexagon Head Bolts | M12x20 | 1 |
| 2 | GB851 | Washers With Split | A12x40 | 1 |
| 3 | C6140W-05730 | I Shaft | | 1 |
| 4 | C6140W-05116 | Bearing Cover | | 1 |
| 5 | G51-1 | Felt Washer | 35 | 2 |
| 6 | 6305 | Bearing | 25x62x17 | 1 |
| 7 | GB894.1 | Circlip For Shaft | 25 | 3 |
| 8 | C6140W-05731 | Double Gear | | 1 |
| 9 | 6203 | Spring | 17x40x12 | 7 |
| 10 | C6140W-05732 | Gear | | 1 |
| 11 | 6205 | Spring | 25x52x15 | 1 |
| 12 | C6140W-05127 | Washer | | 3 |
| 13 | C6140W-05733 | Double Gear | | 2 |
| 14 | 6005 | Spring | 25x47x12 | 4 |
| 15 | C6140W-05736 | Sleeve | | 2 |
| 16 | GB1099 | Key | 4x16 | 1 |
| 17 | C6140W-05735 | V Shaft | | |
| 18 | C6140W-05738 | VII Shaft | | |
| 19 | C6140W-05737 | Tripple Gear | | |
| 20 | C6140W-05739 | Gear | | |
| 21 | C6140W-05743 | VIII Shaft | | |
| 22 | 16006 | Spring | 30x55x9 | 2 |
| 23 | C6140W-05740 | Sleeve | | 2 |
| 24 | 51106 | Spring | 30x47x11 | 2 |
| 25 | C6140W-05117 | Flange Sleeve | | |
| 28 | C6140W-05118 | Sleeve | | |
| 29 | C6140W-05741 | Bearing Cover | | |
| 30 | C6140W-05742 | Round Nut | | 2 |
| 31 | C6140W-05119 | Shaft | | |
| 32 | GB117 | Taper Pin | 6x40 | 4 |
| 33 | G38-4A | | M16x1.5 | 2 |
| 34 | C6140W-05128 | Bearing Cover | | |
| 35 | 6303 | Spring | 17x47x14 | |
| 36 | C6140W-05762 | II Shaft | | |
| 37 | C6140W-05763 | Gear | | |
| 38 | C6140W-05764 | Gear | | |
| 39 | C6140W-05125 | Sleeve | | |
| 40 | C6140W-05751 | Sleeve | | 2 |
| 41 | C6140W-05752 | Adjust Washer | | 4 |
| 42 | C6140W-05754 | IV Shaft | | |
| 43 | C6140W-05759 | Gear | | |
| 44 | C6140W-05758 | Gear | | |
| 45 | C6140W-05757 | Gear | | |

| | | | |
|----|--------------|--------------------|-------------|
| 46 | C6140W-05734 | Positioning Sleeve | |
| 47 | GB75 | Slotted Set Screws | M8x10.....2 |
| 48 | C6140W-05756 | Gear | |
| 49 | C6140W-05755 | Gear | |
| 50 | C6140W-05753 | Gear | |
| 52 | C6140W-05750 | Gear | |
| 53 | C6140W-05748 | Gear | |
| 54 | C6140W-05124 | Sleeve | |
| 55 | C6140W-05747 | Gear | |
| 56 | C6140W-05746 | Gear | |
| 57 | C6140W-05745 | IX Shaft | |
| 58 | C6140W-05744 | Sleeve | |
| 59 | C6140W-05121 | Flange Sleeve | |
| 60 | G51-1 | Felt Washer | 25 |
| 61 | C6140W-05120 | Shaft Connector | |
| 62 | C6140W-05126 | Bearing Cover | |
| 63 | 6304 | Spring | 20x52x15 |
| 64 | C6140W-05761 | Double Gear | |
| 66 | C6140W-05760 | III Shaft | |
| 67 | GB894.1 | Circlip For Shaft | 17 |
| 68 | C6140W-05123 | Sleeve | |
| 69 | C6140W-05122 | Sleeve | |

MACHINERYHOUSE

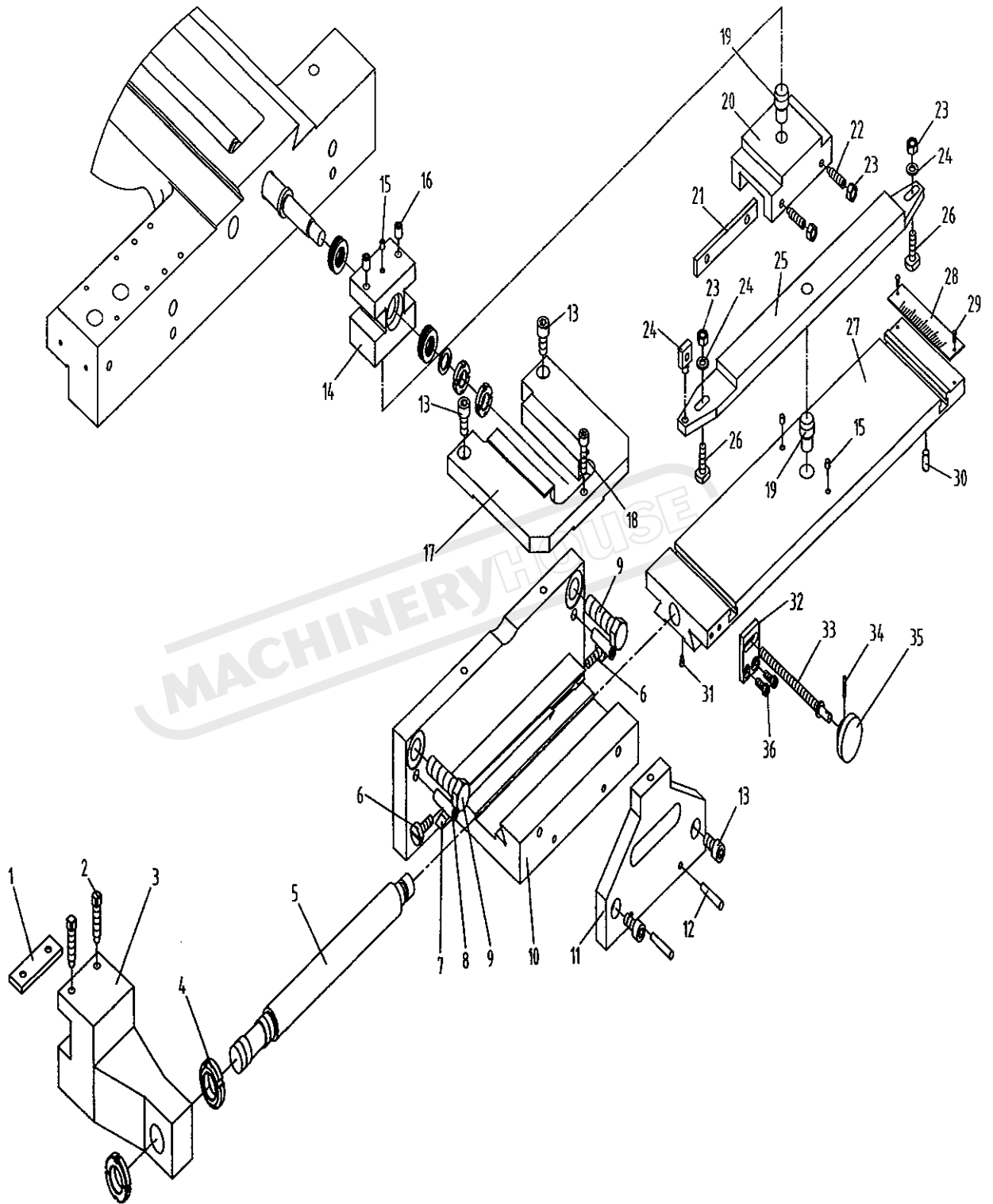
Gear Box Assembly III



Taper Assembly

| Index No. | Part No. | Description | Size | Qty. |
|-----------|--------------|-----------------------------------|---------|------|
| 1 | C6266C-15103 | Slide Gib | | 1 |
| 2 | GB83 | Square Cap Bolt | M10x40 | 2 |
| 3 | C6266C-15102 | Block | | 1 |
| 4 | GB812 | Round Nut | M24x1.5 | 2 |
| 5 | C6266C-15707 | Pulling Rod | | 1 |
| 6 | C6266C-15711 | Adjust Bolt | | 2 |
| 7 | C6266C-15710 | Slide Gib | | 1 |
| 8 | GB118 | Taper Pin | 10x40 | 2 |
| 9 | GB5781 | Hex Bolt | M16x55 | 2 |
| 10 | C6266C-15104 | Sliding | | 1 |
| 11 | C6266C-15106 | Bracket | | 1 |
| 12 | GB118 | Pin | 6x40 | 2 |
| 13 | GB70 | Hex Socket Cap Screw | M10x20 | 4 |
| 14 | C6266C-15708 | Slide Block | | 1 |
| 15 | GB1155 | Oil cup | 6 | 3 |
| 16 | GB77 | Hex Socket Set Screws | M10x14 | 2 |
| 17 | C6266C-15105 | Positioning Block | | 1 |
| 18 | GB70 | Hex Socket Cap screw | M8x30 | 1 |
| 19 | C6266C-15709 | Positioning Column | | 2 |
| 20 | C6266C-15107 | Slide Block | | 1 |
| 21 | C6266C-15108 | Slide Gib | | 1 |
| 22 | GB75 | Slotted Cylindrical End Set Screw | M8x30 | 2 |
| 23 | GB6170 | Hex Nut | M8 | 4 |
| 24 | GB97.2 | Plain Washers | 8 | 2 |
| 25 | C6266C-15702 | Guiding Plate | | 1 |
| 26 | C6266C-15701 | T-Bolt | | 2 |
| 27 | C6266C-15101 | Slide Block | | 1 |
| 28 | C6266C-15301 | Sign Block | | 1 |
| 29 | GB827 | Rivet | 3x8 | 2 |
| 30 | GB71 | Slotted Set Screw | M8x18 | 1 |
| 31 | GB75 | | M6x8 | 1 |
| 32 | C6266C-15705 | Positioning Block | | 1 |
| 33 | C6266C-15704 | Screw | | 1 |
| 34 | GB117 | Pin | 3x20 | 1 |
| 35 | C6266C-15706 | Knob | | 1 |
| 36 | GB65 | Ball End Bolt | M6x16 | 2 |
| 37 | C6266C-15703 | Guiding Block | | 1 |
| 38 | GB97.2 | | 16 | 2 |

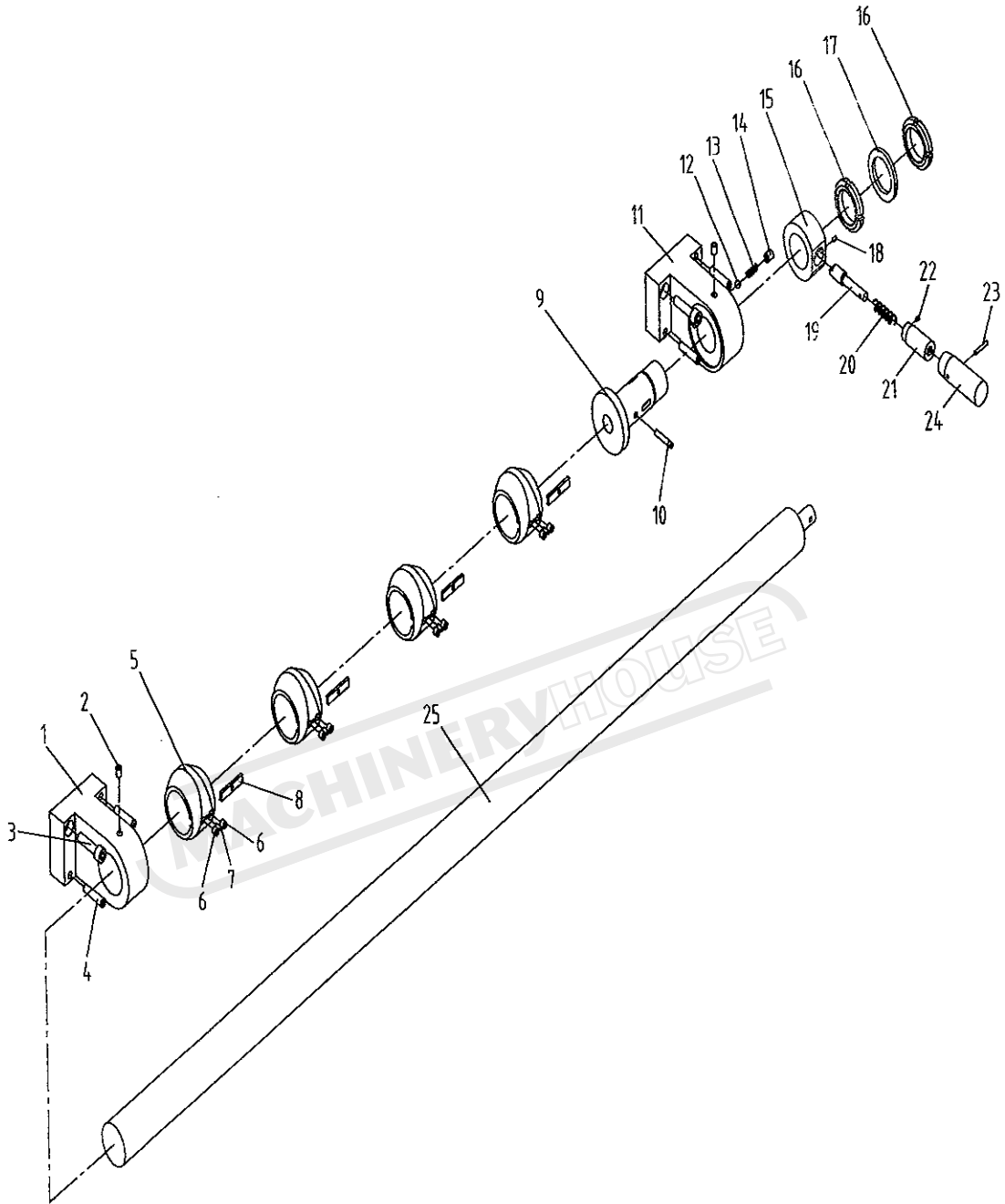
Taper Assembly



Micro Carriage Stop Assembly

| Index No. | Part No. | Description | Size | Qty. |
|-----------|----------------------------|-------------------------------|------------|------|
| 1 | C6266C-26102 | Left Support | | 1 |
| 2 | GB1155 | Oil Cap | 8 | 2 |
| 3 | GB70 | Hex Socket Cap Screw | M10x40 | 4 |
| 4 | GB118 | Pin | 8x40 | 4 |
| 5 | C6266C-26712 | Eccentric Travel Setting Ring | | 6 |
| 6 | GB77 | Hex Socket Set Screws | M8x8 | 12 |
| 7 | GB119 | | 4x10 | 6 |
| 8 | C6266C-26713 | Locking Key | | 6 |
| 9 | C6266C-26706 | Shaft Connector | | 1 |
| 10 | GB117 | Taper Pin | 6x35 | 1 |
| 11 | C6266C-26101 | Right Support | | 1 |
| 12 | GB308 | Steel Ball | 8 | 1 |
| 13 | GB2089 | Spring | 1.5x8 x20 | 1 |
| 14 | GB77 | Hex Socket Set Screws | M10x40 | 1 |
| 15 | C6266C-26701 | Sleeve | | 1 |
| 16 | GB812 | Round Nut | M39x1.5 | 2 |
| 17 | C6266C-26702 | Sleeve | | 1 |
| 18 | GB71 | Slotted Set Screws | M4x8 | 1 |
| 19 | C6266C-26704 | Sliding Axle | | 1 |
| 20 | GB2089 | Spring | 1.2x13 x40 | 1 |
| 21 | C6266C-26703 | Sleeve | | 1 |
| 22 | GB75 | Slotted Set Screws | M4x6 | 1 |
| 23 | GB117 | Taper Pin | 4x25 | 1 |
| 24 | C6266C-26705 | Handle | | 1 |
| 25 | C6266C-26707A (1000 Size) | Travel Setting Rod | | 1 |
| | C6266C-26707B (1500 Size) | | | 1 |
| | C6266C-26707C (2000 Size) | | | 1 |
| | C6266C-26707CN (2200 Size) | | | 1 |
| | C6266C-26707D (3000 Size) | | | 1 |

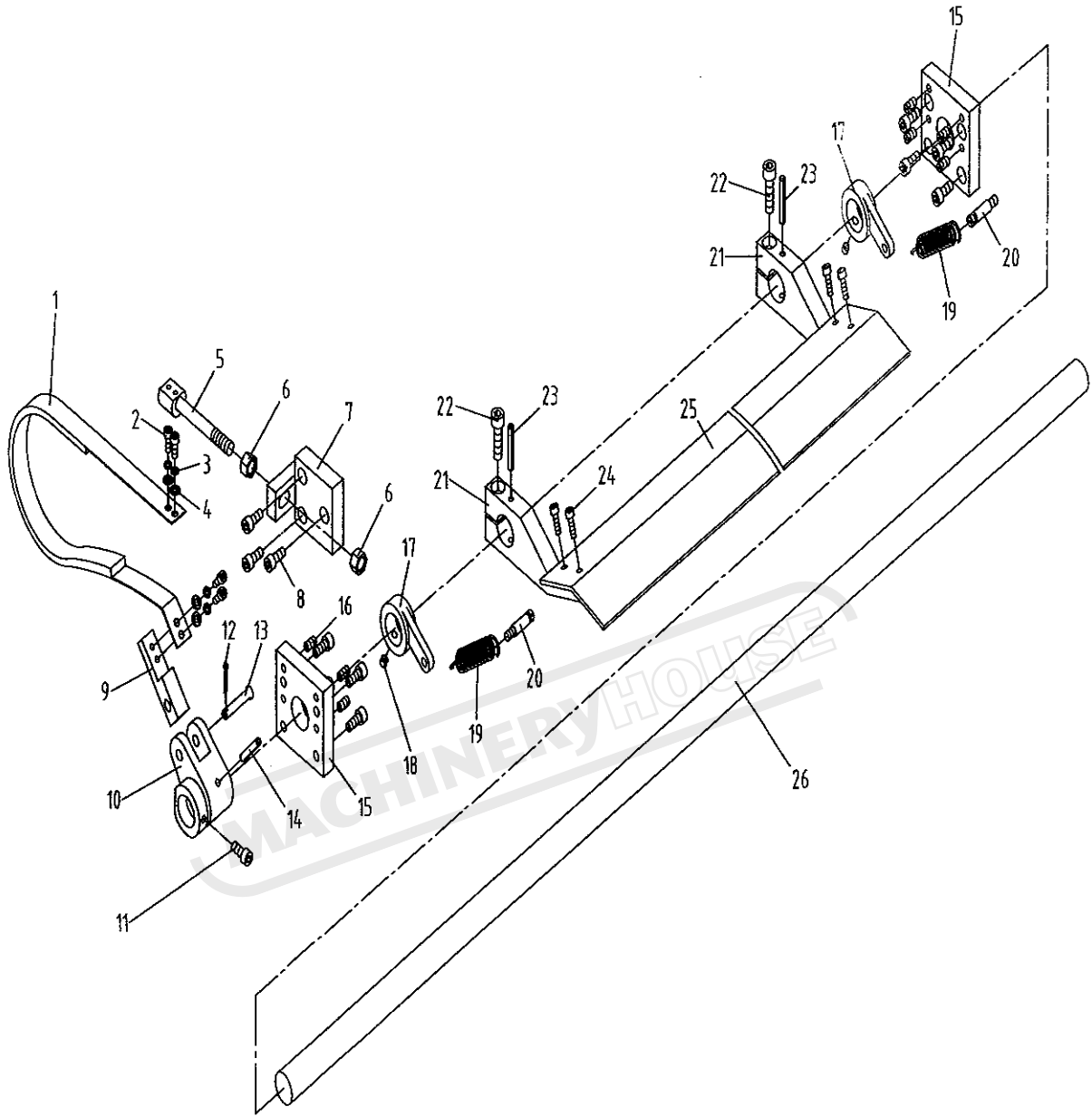
Micro Carriage Stop Assembly



Brake Assembly

| Index No. | Part No. | Description | Size | Qty. |
|-----------|----------------------------|-----------------------|------------|------|
| 1 | C6266C-22705 | Braking Belt | | 1 |
| 2 | GB70 | Hex Socket Cap Screw | M6x14 | 4 |
| 3 | GB97 | Plain Washers | 6 | 4 |
| 4 | GB93 | Spring Lock Washers | 6 | 4 |
| 5 | C6266C-22704 | Bolt | | 1 |
| 6 | GB6170 | | M12 | 2 |
| 7 | C6266C-22103 | Braking Belt Support | | 1 |
| 8 | GB70 | Hex Socket Cap Screw | M8x20 | 3 |
| 9 | C6266C-22706 | Brake Black | | 1 |
| 10 | C6266C-22104 | Fork | | 1 |
| 11 | GB70 | Hex Socket Cap Screw | M8x20 | 1 |
| 12 | GB91 | | 3x20 | 1 |
| 13 | GB73 | Slotted set screws | M8x16 | 3 |
| 14 | GB879 | | 6x45 | 1 |
| 15 | C6266C-22101 | Support | | 2 |
| 16 | GB73 | Slotted Set Screws | M8x16 | 6 |
| 17 | C6266C-22102 | Brake Support | | 2 |
| 18 | GB77 | Hex Socket Set Screws | M8x8 | 2 |
| 19 | Q81-1 | Spring | 2.5x18 x80 | 2 |
| 20 | C6266C-26702 | Screw | | 2 |
| 21 | C6266C-22105 | Brake Support | | 2 |
| 22 | GB70 | Hex Socket Cap Screw | M10x35 | 3 |
| 23 | GB879 | | 6x45 | 3 |
| 24 | GB70 | Hex Socket Cap Screw | M6x20 | 4 |
| 25 | C6266C-22708A (1000 Size) | Pedal | | 1 |
| | C6266C-22708B (1500 Size) | | | 1 |
| | C6266C-22708C (2000 Size) | | | 1 |
| | C6266C-22708CN (2200 Size) | | | 1 |
| | C6266C-22708D (3000 Size) | | | 1 |
| 26 | C6266C-22703A (1000 Size) | Shaft | | 1 |
| | C6266C-22703B (1500 Size) | | | 1 |
| | C6266C-22703C (2000 Size) | | | 1 |
| | C6266C-22703CN (2200 Size) | | | 1 |
| | C6266C-22703D (3000 Size) | | | 1 |
| 27 | GB97 | Hex Socket Set Screws | 12 | 2 |
| 28 | C6266C-22107 | Side Cut Sleeve | | 1 |
| 29 | GB70 | Hex Socket Cap Screw | M8x20 | 12 |

Brake Assembly

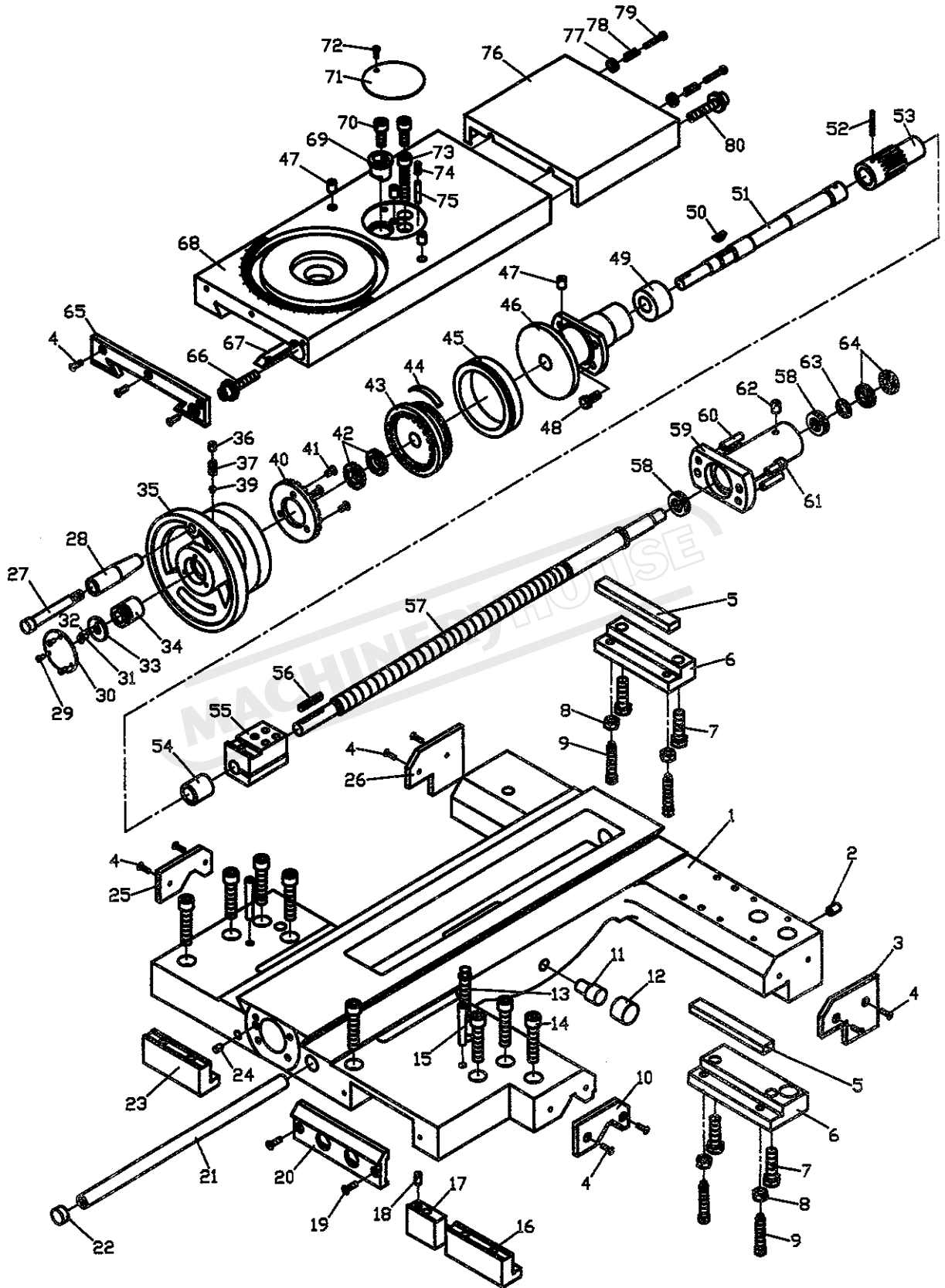


Tool Post Assembly I

| Index No. | Part No. | Description | Size | Qty. |
|-----------|--------------|---------------------------|----------|------|
| 1 | C6266C-04101 | Slide | | 1 |
| 2 | GB73 | Slotted Set Screw | M10x16 | 1 |
| 3 | C6140W-04503 | Wipe Plate | | 1 |
| 4 | GB819 | Cross Recessed Head Screw | M5x16 | 8 |
| 5 | C6140W-04107 | Lining Plate | | 1 |
| 6 | C6140W-04718 | Clamping Plate | | 1 |
| 7 | GB70 | Hex Socket Cap Screw | M12x45 | 4 |
| 8 | GB6170 | Hex Nut | M12 | 4 |
| 9 | GB85 | Square Set Screw | M10x35 | 4 |
| 10 | C6140W-04501 | Wipe Plate | | 1 |
| 11 | 1440R-04788 | Stop Pin | | 1 |
| 12 | 1440R-04507 | Stop Pin Cap | | 1 |
| 13 | GB83 | Square Cap Bolt | M12x70 | 1 |
| 14 | GB70 | Hex Socket Cap Screw | M12x55 | 8 |
| 15 | GB119 | Pin | 8x60 | 2 |
| 16 | C6140W-04713 | Front Clamping Plate | | 2 |
| 17 | C6140W-04712 | Locking Plate | | 1 |
| 18 | GB119 | Pin | 8n6x20 | 1 |
| 19 | GB68 | Recessed Sunk Head Screw | M6 x 22 | 2 |
| 20 | C6140W-04715 | Switch Seat | | 1 |
| 21 | C6140W04711 | Line Pipe | | 1 |
| 22 | C6140W04106 | Plug | | 1 |
| 23 | C6140W04720 | Back Clamping Block | | 1 |
| 24 | GB119 | Pin | 8n6x10 | 1 |
| 31 | C6140W-04505 | Wipe Plate | | 1 |
| 32 | C6140W-04504 | Wipe Plate | | 1 |
| 27 | C6266C-04721 | Lever Shaft | | 1 |
| 28 | C6266C-04722 | Lever Sleeve | | 1 |
| 29 | GB818 | Cross Head Screw | M4x8 | 3 |
| 30 | C6266C-04306 | Panel | | 1 |
| 31 | GB819 | Cross Recessed Head Screw | M5x12 | 1 |
| 32 | GB119 | Pin | 3n6x10 | 1 |
| 33 | C6266C-04725 | Cover | | 1 |
| 34 | C6266C-04724 | Sleeve | | 1 |
| 35 | C6266C-04108 | Handle | | 1 |
| 36 | GB73 | Slotted Set Screw | M8x10 | 1 |
| 37 | Q81-1 | Spring | 0.8x6x12 | 1 |
| 39 | C6266C-04733 | Positioning Pin | | 1 |
| 40 | C6266C-04720 | Connector | | 1 |
| 41 | GB819 | Cross Recessed Head Screw | M5x14 | 3 |
| 42 | GB812 | Round Nut | M18x1.5 | 2 |
| 43 | C6266C-04719 | Connector | | 1 |
| 44 | C6266C-04718 | Spring Leaf | | 1 |

| | | | | |
|----|--------------------|-------------------------------|-----------|---|
| 45 | C6140W-04705A(m) | Dial | | 1 |
| | C6266C-04735A(in) | Dial | | 1 |
| 46 | C6140W-04107 | Screw Support | | 1 |
| 47 | GB1155 | Oil Cupt | 6 | 1 |
| 48 | GB70 | Hex Socket Cap Screw | M8x20 | 4 |
| 49 | C6266C-04109 | Sleeve | | 1 |
| 50 | GB1099 | Half Circle Key | 5x7.5x19 | 1 |
| 51 | C6266C-04726 | Shaft | | 1 |
| 52 | GB117 | Taper Pin | 4x35 | 1 |
| 53 | C6266C-04705 | Shaft | | 8 |
| 54 | C6266C-04103 | Sleeve | | 1 |
| 55 | C6140W-04301(m) | Nut | | 1 |
| | C6266C-04304YA(in) | Nut | | 1 |
| 56 | GB1096 | Flat Key | | |
| 57 | C6266C-04701(m) | Lead Screw | | 1 |
| | C6266C-04701A(in) | Lead Screw | | 1 |
| 58 | 51103 | Thrust Bearing | 17x30x9 | 2 |
| 59 | C6266C-04110 | Bracket | | 1 |
| 60 | GB117 | Taper Pin | 8x40 | 2 |
| 61 | GB70 | Hex Socket Cap Screw | M8x20 | 2 |
| 62 | GB1155 | Oil Cap | 6 | 1 |
| 63 | C6266C-04702 | Washer | | 1 |
| 64 | GB812 | Round Nut | M14x1.5 | 2 |
| 65 | C6266C-04501 | Wipe Plate | | 1 |
| 66 | C6266C-04727 | Gib Setting Screw | | 1 |
| 67 | C6266C-04728 | Cross Slide Gib | | 1 |
| 68 | C6266C-04102 | Cross Slide | | 1 |
| 69 | C6266C-04704 | Sleeve | | 1 |
| 70 | GB70 | Hex Socket Cap Screw | M10x50 | 2 |
| 71 | C6140W-04714 | Cover | | 1 |
| 72 | GB818 | Cross Recessed Pan Head Screw | M5x8 | 2 |
| 73 | GB70 | Hex Socket Cap Screw | M10x40 | 1 |
| 74 | GB73 | Slotted Set Screw | M8x40 | 1 |
| 75 | GB119 | Pin | 6x35 | 1 |
| 76 | C6266C-04703 | Splash Guard | | 1 |
| 77 | C6140W-04722 | Clamping Block | | 1 |
| 78 | Q81-1 | Spring | 1.6x10x24 | 2 |
| 79 | GB65 | Slotted Socket Cap Screw | M6x50 | 2 |

Tool Post Assembly I



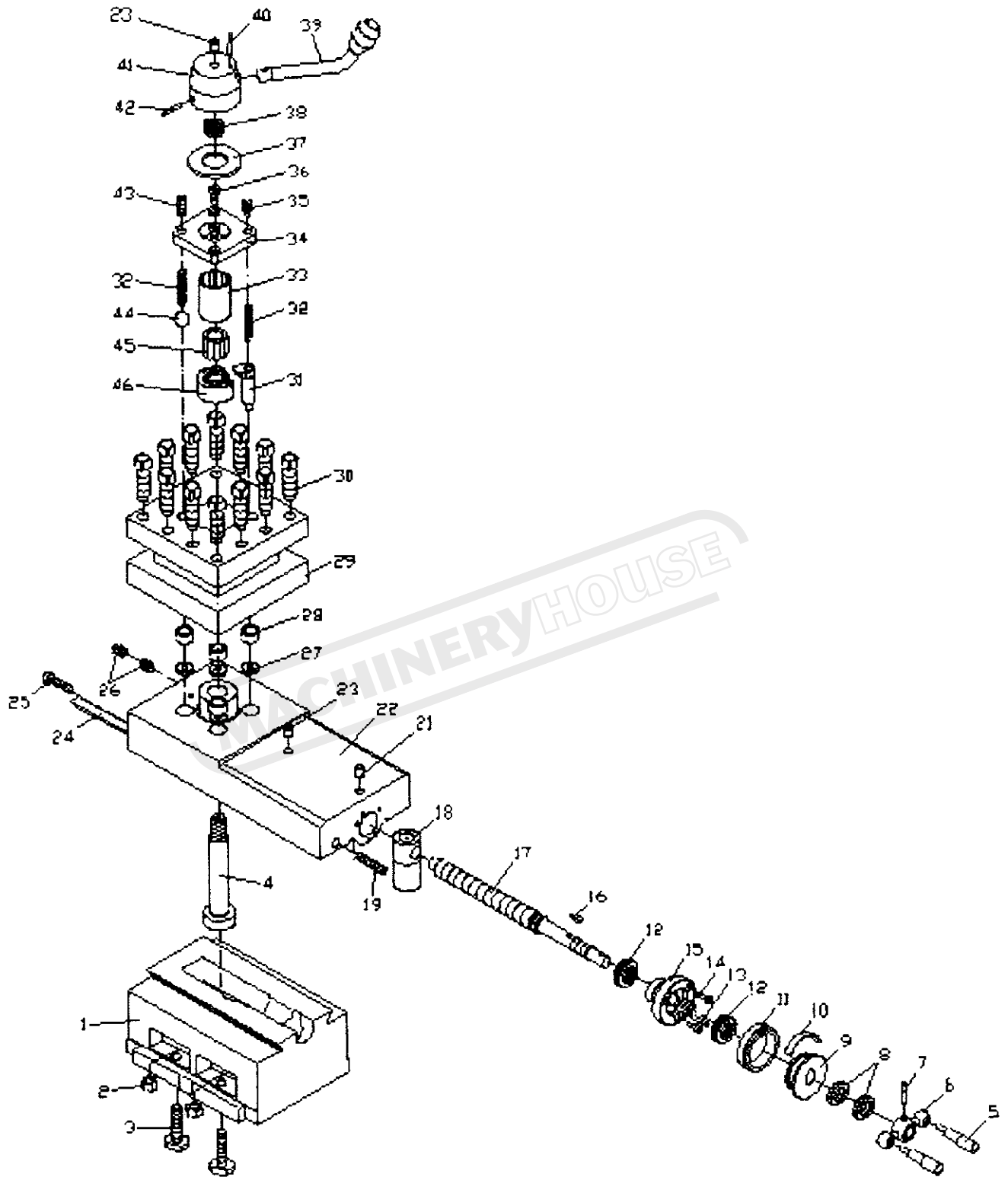
Tool Post Assembly II

| Index | Part | | | |
|-------|--------------------|---------------------------|----------|------|
| No. | No. | Description | Size | Qty. |
| 1 | C6266C-04104 | Revolving Plate | | 1 |
| 2 | GB6170 | Hex Nut | M12 | 4 |
| 3 | C6266C-04706 | Compound Screw | | 4 |
| 4 | C6266C-04707 | Shaft | | 1 |
| 5 | C6140W-04737 | Handle | | 2 |
| 6 | C6140W-04738 | Lever | | 1 |
| 7 | GB117 | Taper Pin | 5x30 | 1 |
| 8 | GB812 | Round Nut | M18x1.5 | 2 |
| 9 | C6140W-04110 | Dial | | 1 |
| 10 | C6140W-04739 | Spring Leaf | | 1 |
| 11 | C6140W-04740(m) | Dial | | 1 |
| | C6266C-04736A(in) | Dial | | 1 |
| 12 | 51104 | Thrust Bearing | 20x35x10 | 2 |
| 13 | GB117 | Taper Pin | 4x25 | 2 |
| 14 | GB70 | Hex Socket Cap Screw | M5x14 | 3 |
| 15 | C6140W-04111 | Bearing | | 1 |
| 16 | GB1099 | Half Circle Key | 5x7.5x19 | 1 |
| 17 | C6140W-04741(m) | Lead Screw | | 1 |
| | C6266C-04734A(in) | Lead Screw | | 1 |
| 18 | C6266C-04301Y(m) | Nut | | 1 |
| | C6266C-04301YA(in) | Nut | | 1 |
| 19 | GB77 | Hexagon Socket Set Screws | M12x70 | 1 |
| 21 | GB1155 | Oil Cup | 10 | 1 |
| 22 | C6266C-04105 | Longitudinal Slide | | 1 |
| 23 | GB1155 | Oil Cup | 6 | 3 |
| 24 | C6266C-04717 | Slide Gib | | 1 |
| 25 | C6266C-04716 | Adjust Screw | | 1 |
| 26 | GB73 | Slotted Set Screw | M10x20 | 2 |
| 27 | C6140W-04727 | Washer | | 4 |
| 28 | C6140W-04728 | Positioning Sleeve | | 4 |
| 29 | C6266C-04708 | Tool Post | | 1 |
| 30 | GB83 | Square Cap Bolt | M16x50 | 12 |
| 31 | C6266C-04715 | Positioning Pin | | 1 |
| 32 | Q81-1 | Spring | 1.6x8x98 | 2 |
| 33 | C6266C-04712 | Spline | | 1 |
| 34 | C6266C-04709 | Flange Disc | | 1 |
| 35 | C6140W-04732 | Bolt | | 1 |
| 36 | GB70 | Hex Socket Cap Screw | M8x16 | 2 |
| 37 | C6266C-04710 | Adjust Washer | | 1 |
| 38 | Q81-1 | Spring | 3x32x55 | 1 |
| 39 | C6266C-04711 | Handle | | 1 |
| 40 | GB119 | Pin | 5n6x32 | 1 |
| 41 | C6266C-04106 | Lever Support | | 1 |

| | | | | |
|----|--------------|-------------------|--------|---|
| 42 | GB117 | Taper Pin | 4x40 | 1 |
| 43 | GB73 | Slotted Set Screw | M12x14 | 1 |
| 44 | GB308 | Boll | 19 | 1 |
| 45 | C6266C-04713 | Connector | | 1 |
| 46 | C6266C-04714 | Connector | | 1 |



Tool Post Assembly II



Apron Assembly 1

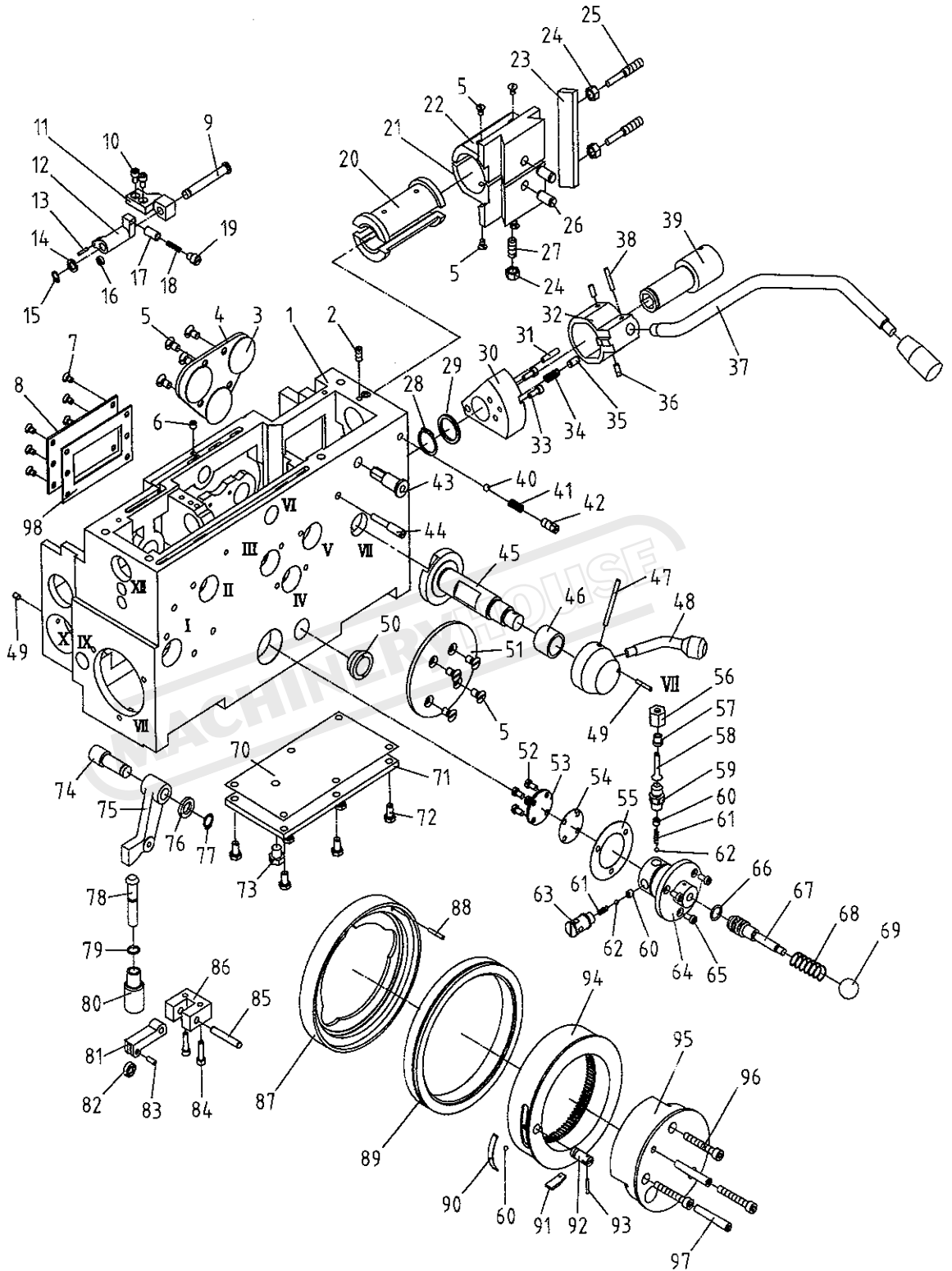
| Index No. | Part No. | Description | Size | Qty. |
|-----------|------------------|---------------------------|-----------|------|
| 1 | C6266C-06101 | Apron Casting | | 1 |
| 2 | GB71 | Set Screw | M8x10 | 1 |
| 3 | C6266C-06506 | Washer | | 3 |
| 4 | C6140W-06750 | Back Cover | | 1 |
| 5 | GB819 | Cross Recessed Head Screw | M8x16 | 8 |
| 6 | GB3452.1 | Ring Seal | 8.75x1.8G | 1 |
| 7 | GB68 | Slotted Head Screw | M6x10 | 1 |
| 8 | C6140W-06731 | Cover | | 1 |
| 9 | C6266C-06719 | Small Shaft | | 1 |
| 10 | GB70 | Hex Socket Cap Screw | M6x10 | 2 |
| 11 | C6266C-06718 | Limiting Support | | 1 |
| 12 | C6266C-06108 | Rocker | | 1 |
| 13 | GB119 | Pin | 3n6x12 | 1 |
| 14 | C6266C-06720 | Washer | | 1 |
| 15 | GB894.1 | Circlip For Shaft | 10 | 1 |
| 16 | 623 | Bearing | 3x10x4 | 1 |
| 17 | C6266C-06729 | Pin | | 1 |
| 18 | Q81-1 | Spring | 1.2x6x28 | 1 |
| 19 | GB75 | Slotted Socket Set Screw | M12x16 | 1 |
| 20 | C6140W-06302(m) | Half Nut | | 1 |
| | C6266C-06306(in) | Half Nut | | 1 |
| 21 | C6140W-06107 | Upper Nut | | 1 |
| 22 | C6140W-06108 | Lower Nut | | 1 |
| 23 | C6140W-06759 | Gib | | 1 |
| 24 | GB6170 | Hex Nut | M10 | 2 |
| 25 | C6140W-06758 | Cylindrical End Set Screw | | 1 |
| 26 | GB119 | Pin | 12x25 | 2 |
| 27 | GB73 | Slotted Set Screw | M10x25 | 1 |
| 28 | GB894.1 | Circlip For Shaft | 30 | 1 |
| 29 | C6140W-06755 | Washer | | 1 |
| 30 | C6266C-06105 | Positioning Block | | 1 |
| 31 | GB117 | Taper Pin | 6x35 | 1 |
| 32 | C6266C-06106 | Lever Support | | 1 |
| 33 | GB70 | Hex Socket Cap Screw | M6x16 | 2 |
| 34 | Q81-1 | Spring | 1.2x8x22 | 1 |
| 35 | GB119 | Pin | 8x14 | 1 |
| 36 | GB119 | Pin | 6n6x18 | 2 |
| 37 | C6266C-06711 | Control Handle | | 1 |
| 38 | GB117 | Taper Pin | 5x30 | 1 |
| 39 | C6266C-06710 | Positioning Sleeve | | 1 |
| 40 | GB308 | Steel Ball | 10 | 1 |
| 41 | Q81-1 | Spring | 1.5x8x35 | 1 |
| 42 | GB73 | Slotted Set Screw | m12x14 | 1 |

| | | | | |
|----|------------------|--------------------------|-------------|---|
| 43 | C6266C-06A780 | Positioning Sleeve | | 1 |
| 44 | C6140W-06716 | Bolt | | 1 |
| 45 | C6140W-06725 | VII Shaft | | 1 |
| 46 | C6140W-06303 | Sleeve | | 1 |
| 47 | GB119 | Pin | 5x60 | 1 |
| 48 | C6266C-06716 | Handle | | 1 |
| 49 | GB119 | Pin | 5x25 | 1 |
| 50 | R51-2 | Oil Sight Glass | 20 | 1 |
| 51 | C6140W-06760 | Front Cover | | 1 |
| 52 | GB65 | Slotted Socket Cap Screw | M6x10 | 4 |
| 53 | C6266C-06713 | Pump Cover | | 1 |
| 54 | C6266C-06505 | Washer | | 1 |
| 55 | C6266C-06504 | Washer | | 1 |
| 56 | Y91-1A | Nut | 8 | 1 |
| 57 | C6266C-06727 | Sleeve | | 1 |
| 58 | T3-M | Copper Pipe | Ø6x0.75x450 | 1 |
| 59 | C6266C-06726 | Valve | | 1 |
| 60 | C6266C-06714 | Adjust Bolt | | 2 |
| 61 | Q81-1 | Spring | 0.3x3x12 | 2 |
| 62 | GB308 | Steel Ball | 5 | 2 |
| 63 | C6266C-06715 | Oil Purifier | | 1 |
| 64 | C6266C-06107 | Pump | | 1 |
| 65 | GB65 | Slotted Socket Cap Screw | M6x12 | 3 |
| 66 | G51-2A | Ring Seal | 20x2.4 | 1 |
| 67 | C6266C-06712 | Piston-rod | | 1 |
| 68 | Q81-1 | Spring | 1.2x19x70 | 1 |
| 69 | GB4141.11 | Ball | M8x25 | 1 |
| 70 | C6266C-06502 | Washer | | 1 |
| 71 | C6266C-06103 | Botton Cover | | 1 |
| 72 | GB70 | Hex Socket Cap Screw | M8x12 | 6 |
| 73 | GB38-2 | Drain Plug | M12x1.5 | 1 |
| 74 | C6266C-06725 | Shaft | | 1 |
| 75 | C6266C-06109 | Rocker | | 1 |
| 76 | C6266C-06724 | Washer | | 1 |
| 77 | GB894.1 | Circlip For Shaft | 15 | 1 |
| 78 | C6266C-06721 | Rod | | 1 |
| 79 | G51-2A | Ring Seal | 12x1.9 | 1 |
| 80 | C6266C-06723 | Sleeve | | 1 |
| 81 | C6266C-06722 | Block | | 1 |
| 82 | 606 | Bearing | 6x17x6 | 1 |
| 83 | GB119 | Pin | 5n6x15 | 1 |
| 84 | GB75 | Slotted Socket Set Screw | M5x16 | 2 |
| 85 | GB119 | Pin | 8n6x45 | 1 |
| 86 | C6266C-06110 | Positioning Block | | 1 |
| 87 | C6140W-06116(m) | Bracket Disk | | 1 |
| | C6266C-06116(in) | Bracket Disk | | 1 |
| 88 | GB119 | Pin | 6x25 | 1 |

| | | | | |
|----|------------------------|----------------------------|---------------|---|
| 89 | C6140W-06761(m) | Dial | | 1 |
| | C6266C-06761(in) | Dial | | 1 |
| 90 | C6140W-06769 | Spring Leaf | | 1 |
| 91 | C6140W-06767 | Locked Knob | | 1 |
| 92 | C6140W-06768 | Eccentric Shaft | | 1 |
| 93 | GB119 | Pin | 3n6x22 | 1 |
| 94 | C6140W-06762(m) | Gear | | 1 |
| | C6266C-06762(in) | Gear | | 1 |
| 95 | C6140W-06117(m) | Bracket | | 1 |
| | C6266C-06117(in) | Bracket | | 1 |
| 96 | GB70 | Hex Socket Cap Screw | M8x55 | 1 |
| 97 | GB119 | Pin | 12n6x40 | 1 |
| 98 | C6266C-06501 | Washer | | 1 |
| 99 | GB68 | Slotted Head Screw | M6x12 | 4 |

MACHINERYHOUSE

Apron Assembly I

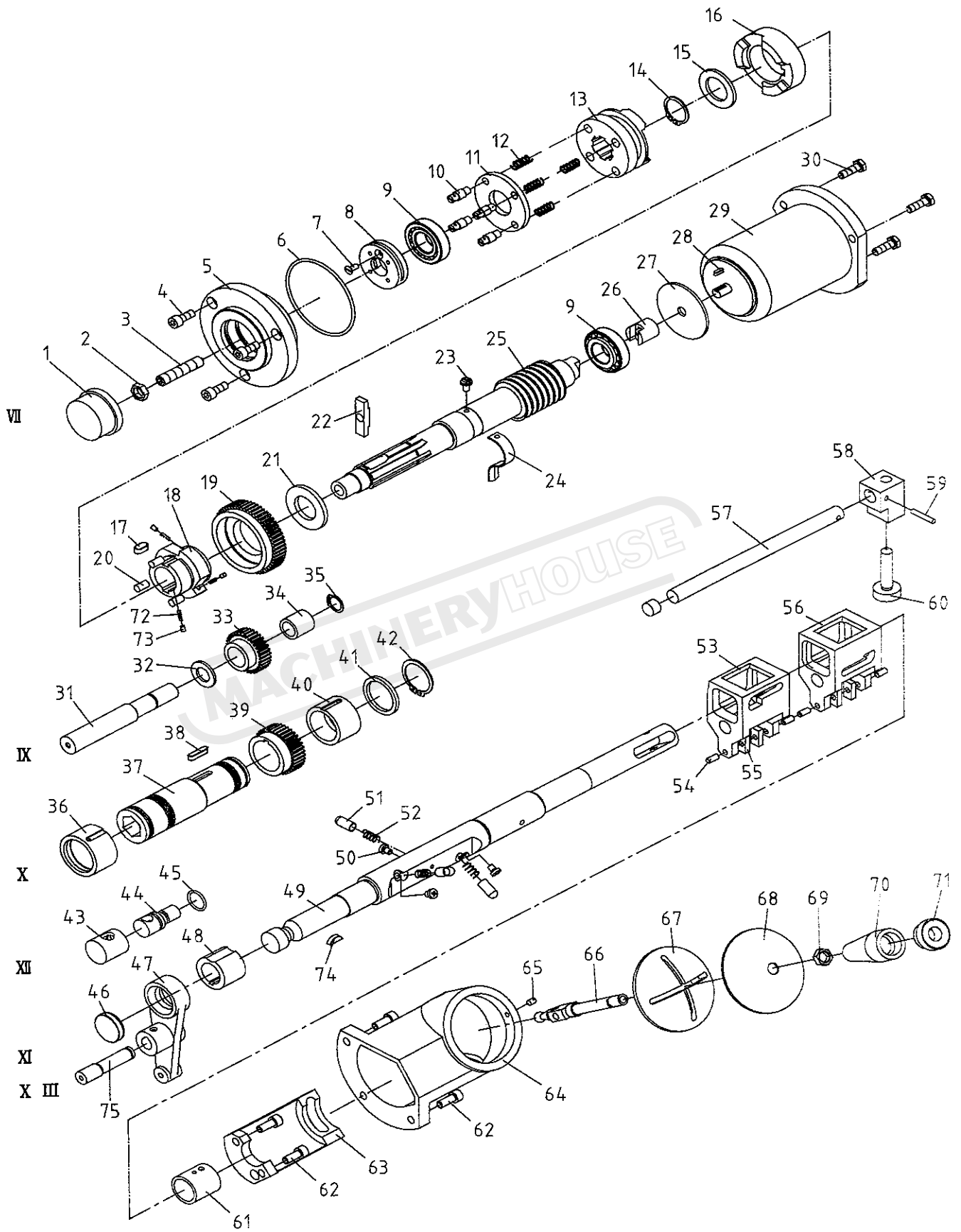


Apron Assembly II

| Index No. | Part No. | Description | Size | Qty. |
|-----------|--------------|------------------------|----------------|------|
| 1 | C6140W-06738 | Adjust Knob | | 1 |
| 2 | GB6172 | Hex Flat Nut | M12 | 1 |
| 3 | GB78 | Hex Set Screw | M12x60 | 1 |
| 4 | GB70 | Hex Socket Cap Screw | M8x20 | 3 |
| 5 | C6140W-06111 | Flange | | 1 |
| 6 | G51-2A | Ring Seal | 93x3.1 | 1 |
| 7 | GB68 | Slotted Head Screw | M5x12 | 1 |
| 8 | C6140W-06739 | Adjust Circlip | | 1 |
| 9 | 30502/P6 | Bearing | 25x52x15 | 2 |
| 10 | C6266C-06734 | Bolt | | 4 |
| 11 | C6140W-06740 | Washer | | 1 |
| 12 | Q81-1 | Spring | 1x10x35 | 4 |
| 13 | C6266C-06707 | Clutch | | 1 |
| 14 | GB894.1 | Circlip For Shaft | 30 | 1 |
| 15 | C6266C-06708 | Washer | | 1 |
| 16 | C6266C-06706 | Clutch | | 1 |
| 17 | GB1096 | Flat Key | 8x16 | 1 |
| 18 | C6140W-06708 | Star Gear | | 1 |
| 19 | C6140W-06709 | Gear | | 1 |
| 20 | C6140W-06726 | Pin | | 3 |
| 21 | C6140W-06710 | Washer | | 1 |
| 22 | C6140W-06737 | Block | | 1 |
| 23 | GB67 | Slotted Pan Head Screw | M6x10 | 1 |
| 24 | C6140W-06729 | Splash Leaf | | 1 |
| 25 | C6266C-06209 | Worm | | 1 |
| 26 | C6140W-06728 | Motor Connector | | 1 |
| 27 | C6266C-06503 | Washer | | 1 |
| 28 | YSS56BJ | Motor | 300W 1500r/min | 1 |
| 29 | GB1096 | Flat Key | | 1 |
| 30 | GB5782 | Hex Bolt | M8x30 | 3 |
| 31 | C6140W-06736 | IX Shaft | | 1 |
| 32 | C6140W-06735 | Washer | | 2 |
| 33 | C6140W-06734 | Gear | | 1 |
| 34 | C6140W-06306 | Sleeve | | 1 |
| 35 | GB894.1 | Circlip For Shaft | 16 | 1 |
| 36 | C6140W-06305 | Sleeve | | 1 |
| 37 | C6140W-06733 | X Shaft | | 1 |
| 38 | GB1096 | Flat Key | 6x25 | 1 |
| 39 | C6140W-06732 | Gear | | 1 |
| 40 | C6140W-06304 | Sleeve | | 1 |
| 41 | C6140W-06730 | Washer | | 1 |
| 42 | GB894.1 | Circlip For Shaft | 38 | 1 |
| 43 | C6266C-6704 | Oil Tap Cover | | 1 |

| | | | | |
|----|--------------|------------------------|----------|---|
| 44 | C6266C-06705 | Oil tap | 35 | 1 |
| 45 | GB895 | Steel Wire Circlip | | 1 |
| 46 | C6266C-06102 | Plug | | 1 |
| 47 | C6140W-06103 | Fork | | 1 |
| 48 | C6266C-06703 | Limiting Sleeve | | 1 |
| 49 | C6266C-06701 | Control Shaft | | 1 |
| 50 | GB67 | Slotted Pan Head Screw | M6x8 | 3 |
| 51 | Q81-1 | Spring | 1.6x8x22 | 3 |
| 52 | C6140W-06701 | Pin | | 3 |
| 53 | C6140W-06713 | Left Fork | | 1 |
| 54 | GB119 | Pin | 6n6x14 | 6 |
| 55 | C6140W-06715 | Sliding Block | | 6 |
| 56 | C6140W-06714 | Right Fork | | 1 |
| 57 | C6140W-06717 | Shaft | | 1 |
| 58 | C6140W-06104 | Inter-locking Block | | 1 |
| 59 | GB117 | Taper Pin | 5x30 | 1 |
| 60 | C6140W-06718 | Shaft | | 1 |
| 61 | C6266C-06304 | Sleeve | | 1 |
| 62 | GB70 | Hex Socket Cap Screw | 8x20 | 5 |
| 63 | C6140W-06719 | Bracket | | 1 |
| 64 | C6140W-06105 | Bracket | | 1 |
| 65 | GB71 | Slotted Set Screw | | 1 |
| 66 | C6140W-06722 | Handle | M6x10 | 1 |
| 67 | C6140W-06106 | Cross Cover | | 1 |
| 68 | C6140W-06501 | Washer | | 1 |
| 69 | GB6173 | Hex Flat Nut | M12x1.25 | 1 |
| 70 | C6140W-06721 | Handle | | 1 |
| 71 | C6140W-06720 | Washer | | 1 |
| 72 | C6140W-06727 | Pin | | 3 |
| 73 | Q81-1 | Spring | 0.3x3x12 | 3 |
| 74 | GB1099 | Half Circle Key | 5x19 | 1 |
| 75 | C6140W-06704 | XIII Shaft | | 1 |

Apron Assembly II



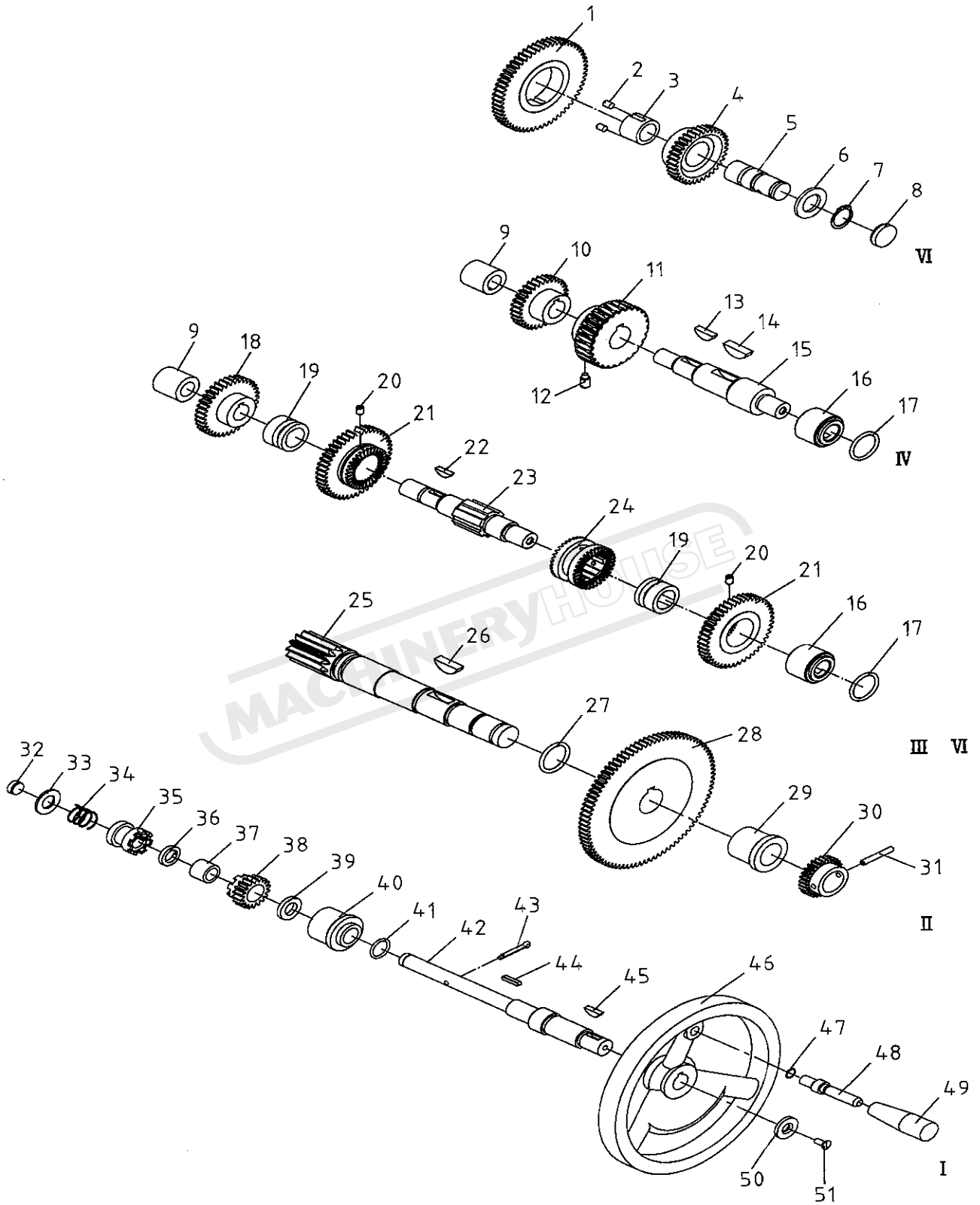
Apron Assembly III

| Index No. | Part No. | Description | Size | Qty. |
|-----------|--------------|-------------------|-----------|------|
| 1 | C6140W-06751 | Gear | | 1 |
| 2 | GB71 | Slotted Set Screw | M6x8 | 2 |
| 3 | C6140W-06309 | Sleeve | | 1 |
| 4 | C6140W-06752 | Gear | | 1 |
| 5 | C6266C-06728 | VI Shaft | | 1 |
| 6 | C6140W-06754 | Washer | | 1 |
| 7 | GB894.1 | Circlip For Shaft | 20 | 1 |
| 8 | C6140W-06114 | Plug | | 1 |
| 9 | C6140W-06113 | Sleeve | | 3 |
| 10 | C6140W-06749 | Gear | | 1 |
| 11 | C6140W-06308 | Worm Wheel | | 1 |
| 12 | GB72 | Slotted Set Screw | M8x16 | 1 |
| 13 | GB1099 | Half Circle Key | 6x22 | 1 |
| 14 | GB1099 | Half Circle Key | 8x28 | 1 |
| 15 | C6140W-06748 | IV Shaft | | 1 |
| 16 | C6140W-06115 | Sleeve | | 3 |
| 17 | G51-2A | Ring Seal | 35x3.1 | 3 |
| 18 | C6140W-06746 | Gear | | 2 |
| 19 | C6140W-06307 | Sleeve | | 4 |
| 20 | GB71 | Slotted Set Screw | M6x10 | 4 |
| 21 | C6140W-06744 | Gear | | 4 |
| 22 | GB1099 | Half Circle Key | 5x16 | 2 |
| 23 | C6140W-06747 | III Shaft | | 2 |
| 24 | C6140W-06745 | Connector | | 2 |
| 25 | C6140W-06743 | II Shaft | | 1 |
| 26 | GB1099 | Half Circle Key | 8x28 | 1 |
| 27 | G51-2A | Ring Seal | 35x3.1 | 1 |
| 28 | C6140W-06742 | Gear | | 1 |
| 29 | C6140W-06118 | Sleeve | | 1 |
| 30 | C6140W-06764 | Gear | | 1 |
| 31 | GB117 | Taper Pin | 5x35 | 1 |
| 32 | C6140W-06112 | Plug | | 1 |
| 33 | C6140W-06774 | Washer | | 1 |
| 34 | Q81-1 | Spring | 1.6x18x25 | 1 |
| 35 | C6140W-06773 | Connector | | 1 |
| 36 | C6140W-06772 | Washer | | 1 |
| 37 | C6140W-06371 | Sleeve | | 1 |
| 38 | C6140W-06771 | Gear | | 1 |
| 39 | C6140W-06770 | Washer | | 1 |
| 40 | C6140W-06120 | Sleeve | | 1 |
| 41 | G51-2A | Ring Seal | 18x2.4 | 1 |
| 42 | C6140W-06775 | I Shaft | | 1 |
| 43 | C6140W-06774 | Washer | | 1 |

| | | | | |
|----|--------------|--------------------|------|---|
| 44 | GB1096 | Flat Key | 4x20 | 1 |
| 45 | GB1099 | Half Circle Key | 5x16 | 1 |
| 46 | C6266C-06111 | Handlewheel | | 1 |
| 47 | GB895 | Steel Circlip | 10 | 1 |
| 48 | C6140W-06766 | Shaft | | 1 |
| 49 | C6140W-06765 | Lever Sleeve | | 1 |
| 50 | GB891 | Circlip | 5x12 | 1 |
| 51 | GB68 | Slotted Head Screw | 25 | 1 |

MACHINERYHOUSE

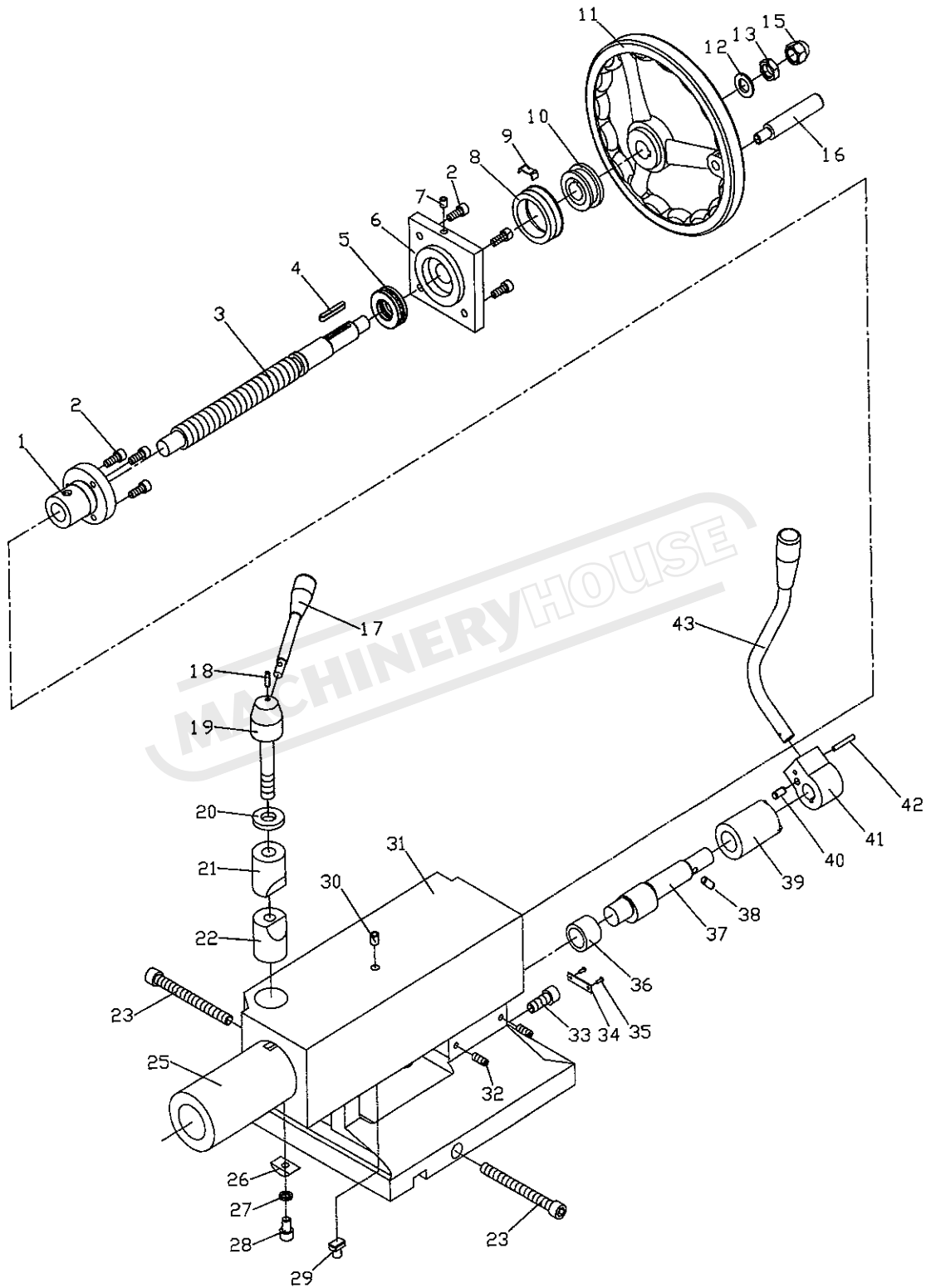
Apron Assembly III



Tailstock Assembly I

| Index No. | Part No. | Description | Size | Qty. |
|-----------|-----------------|-----------------------------------|----------|------|
| 1 | GH1640ZX-03105 | Nut | | 1 |
| 2 | GB70 | Hex Socket Cap Screw | M8x20 | 7 |
| 3 | GH1840ZX-03710 | Lead Screw | | 1 |
| 4 | GB1096 | Plain Key | 6x40 | 1 |
| 5 | 51205 | Thrust Bearing | 25x47x15 | 1 |
| 6 | C6250B-03105 | Back Cover | | 1 |
| 7 | GB1155 | Oil Cup | 8 | 2 |
| 8 | GH1640ZX-03708G | Dial | | 1 |
| 9 | C6132-03711 | Spring Leaf | | 1 |
| 10 | 1440R-03706 | Sleeve | | 1 |
| 11 | C6140W-03107 | Handlewheel | | 1 |
| 12 | GB97 | Flat Washer | 16 | 1 |
| 13 | GB6172 | Hex Flat Nut | M16 | 1 |
| 15 | GB923 | Nut | M16 | 1 |
| 16 | C6140W-03705 | Lever | | 1 |
| 17 | C6140W-03710 | Lever | | 1 |
| 18 | GB117 | Straight Pin | 5x20 | 1 |
| 19 | C6140W-03715 | Lever Support | | 1 |
| 20 | C6140W-03716 | Washer | | 1 |
| 21 | C6140W-03717 | Clamping Block | | 1 |
| 22 | C6140W-03718 | Clamping Block | | 1 |
| 23 | GB70 | Hex Socket Cap Screw | M12x120 | 2 |
| 25 | C6140W-03701 | Center Sleeve | | 1 |
| 26 | C6140W-03702 | Clampingblock | | 1 |
| 27 | GB93 | Spring Washer | 10 | 1 |
| 28 | GB70 | Hex Socket Cap Screw | M10x16 | 1 |
| 29 | 1440R-03702 | Positioning Block | | 1 |
| 30 | GB1155 | Oil Cup | 10 | 1 |
| 31 | C6266C-03101 | Tailstock Casting | | 1 |
| 32 | GB75 | Slotted Cylindrical End Set Screw | M8x25 | 2 |
| 33 | GB70 | Hex Socket Cap Screw | M12x25 | 1 |
| 34 | C6132-03303 | Panel | | 1 |
| 35 | GB867 | Half Circle Rivet | 3x8 | 4 |
| 36 | C6140W-03103 | Sleeve | | 1 |
| 37 | C6250B-03704 | Eccentric Shaft | | 1 |
| 38 | GB117 | Taper Pin | 6x45 | 1 |
| 39 | C6250B-03103 | Sleeve | | 1 |
| 40 | GB119 | Pin | 8x15 | 1 |
| 41 | C6250B-03104 | Lever Sleeve | | 1 |
| 42 | GB117 | Taper Pin | 5x40 | 1 |
| 43 | C6250B-03705 | Lock Handle | | 1 |

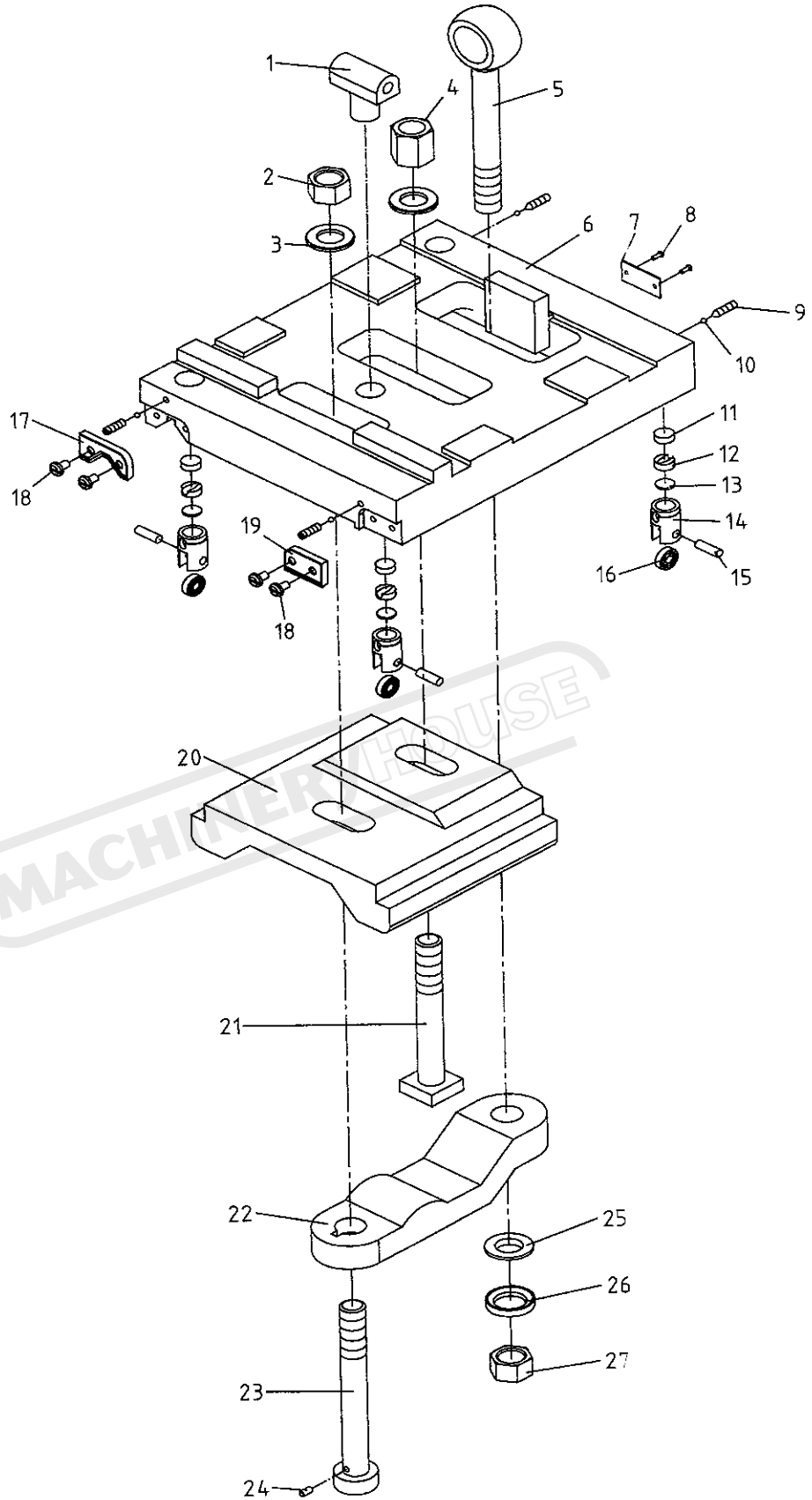
Tailstock Assembly I



Tailstock Assembly II

| Index No. | Part No. | Description | Size | Qty. |
|-----------|--------------|-----------------------------------|---------|------|
| 1 | C6140W-03110 | Nut | | 1 |
| 2 | GB6171 | Hex Nut | M20x1.5 | 1 |
| 3 | GB97 | Slotted Pan Head Screw | 20 | 1 |
| 4 | GB56 | Hex Thick Nut | M20 | 1 |
| 5 | C6266C-03703 | Pulling Rod | | 1 |
| 6 | C6266C-03102 | Sliding Base | | 1 |
| 7 | C6132-03302 | Sign Plate | | 1 |
| 8 | GB867 | Half Circle Rivet | 3x8 | 4 |
| 9 | GB75 | Slotted Cylindrical End Set Screw | M6x16 | 4 |
| 10 | GB308 | Steel Ball | Φ 4 | 4 |
| 11 | C6140W-03711 | Washer | | 4 |
| 12 | C6140W-03712 | Clamping Block | | 4 |
| 13 | C6140W-03501 | Spring Washer | | 4 |
| 14 | C6140W-03713 | Bearing Support | | 4 |
| 15 | C6140W-03714 | Small Axle | | 4 |
| 16 | 607 | Ball Bearing | 7x19x6 | 4 |
| 17 | C6140W-03502 | Wipe Plate | | 1 |
| 18 | GB67 | Slotted Pan Head Screw | M6x10 | 4 |
| 19 | C6140W-03503 | Wipe Plate | | 1 |
| 20 | C6140W-03104 | Clamping Block | | 1 |
| 21 | C6266C-03702 | Screw | | 1 |
| 22 | C6140W-03111 | Clamping Block | | 1 |
| 23 | C6266C-03701 | Screw | | 1 |
| 24 | GB119 | Straight Pin | 5x10 | 1 |
| 25 | GB849 | Ball Washer | 20 | 1 |
| 26 | GB850 | Taper Washer | 20 | 1 |
| 27 | GB6173 | Hex Nut | M20x1.5 | 1 |

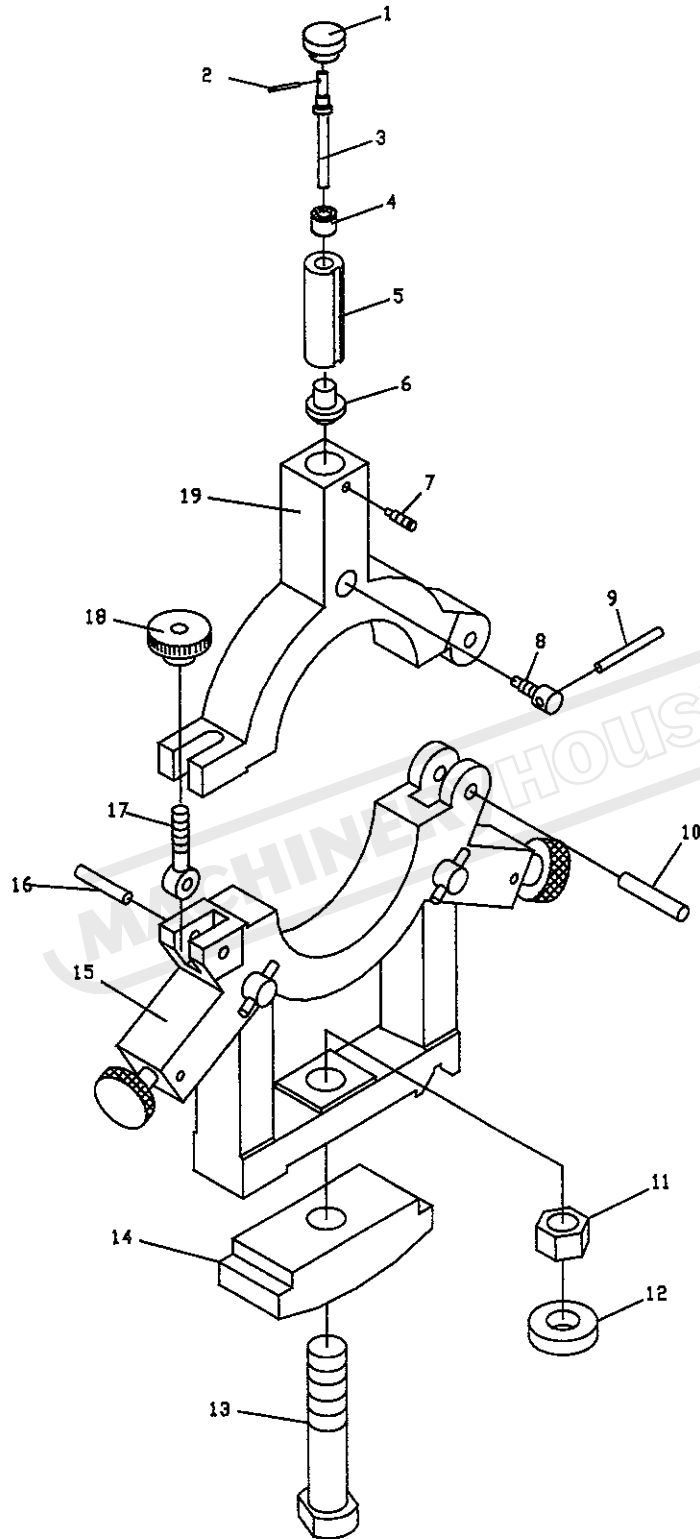
Tailstock Assembly II



Steady Rest Assembly

| Index | Part | | | |
|-------|---------------|------------------------|--------|------|
| No. | No. | Description | Size | Qty. |
| 1 | GB4141.29 | A Type Asterisk Handle | Φ 12 | 3 |
| 2 | GB117 | Pin | 4X25 | 3 |
| 3 | C6140W-10702 | Screw | | 1 |
| 4 | C6140W-10703 | Nut | | 1 |
| 5 | C6140W-10705 | Sliding Sleeve | | 1 |
| 6 | C6140W-10301 | Block | | 1 |
| 7 | GB75 | Slotted Set Screw | M10X16 | 3 |
| 8 | C6140W-10704 | Set Screw | | 3 |
| 9 | GB119 | Pin | A6X45 | 3 |
| 10 | GB119 | Pin | A8X55 | 3 |
| 11 | GB56 | Hex Extra Thick Nut | M20 | 1 |
| 12 | GB97.2 | Washer | 20 | 1 |
| 13 | C6140W-10706 | Square Head Bolt | | 1 |
| 14 | C6140W-10104 | Clamping Plate | | 1 |
| 15 | C6266C-10A101 | Steady Rest Lower Body | | 1 |
| 16 | GB119 | Pin | A16X55 | 1 |
| 17 | C6140W-10701 | Screw | | 1 |
| 18 | GB4141.29 | B Type Asterisk Handle | M12 | 1 |
| 19 | C6140W-10102 | Steady Rest Upper Body | | 1 |

Steady Rest Assembly



Follow Rest Assembly

| Index | Part | | | |
|--------------|--------------|------------------------|-------------|-------------|
| No. | No. | Description | Size | Qty. |
| 1 | GB4141.29 | A Type Asterisk Handle | Φ 12 | 1 |
| 2 | GB117 | Pin | 4X25 | 1 |
| 3 | C6266-10705 | Screw | | 1 |
| 4 | C6266C-10704 | Nut | | 1 |
| 5 | C6266C-10706 | Sliding Sleeve | | 1 |
| 6 | C6266C-10302 | Block | | 1 |
| 7 | GB75 | Slotted Set Screw | M10X16 | 2 |
| 8 | C6140W-10704 | Set Screw | | 2 |
| 9 | GB119 | Pin | A6X45 | 2 |
| 10 | GB70 | Hex Socket Cap Screw | M16X55 | 2 |
| 11 | C6266C-10103 | Follow Rest Casting | | 1 |

MACHINERYHOUSE

Follow Rest Assembly

