



6/8/10 INCH COMPACT TURNING CENTERS WITH Y-AXES

---

# Lynx

**2100LY / LSY • 2600Y/SY**

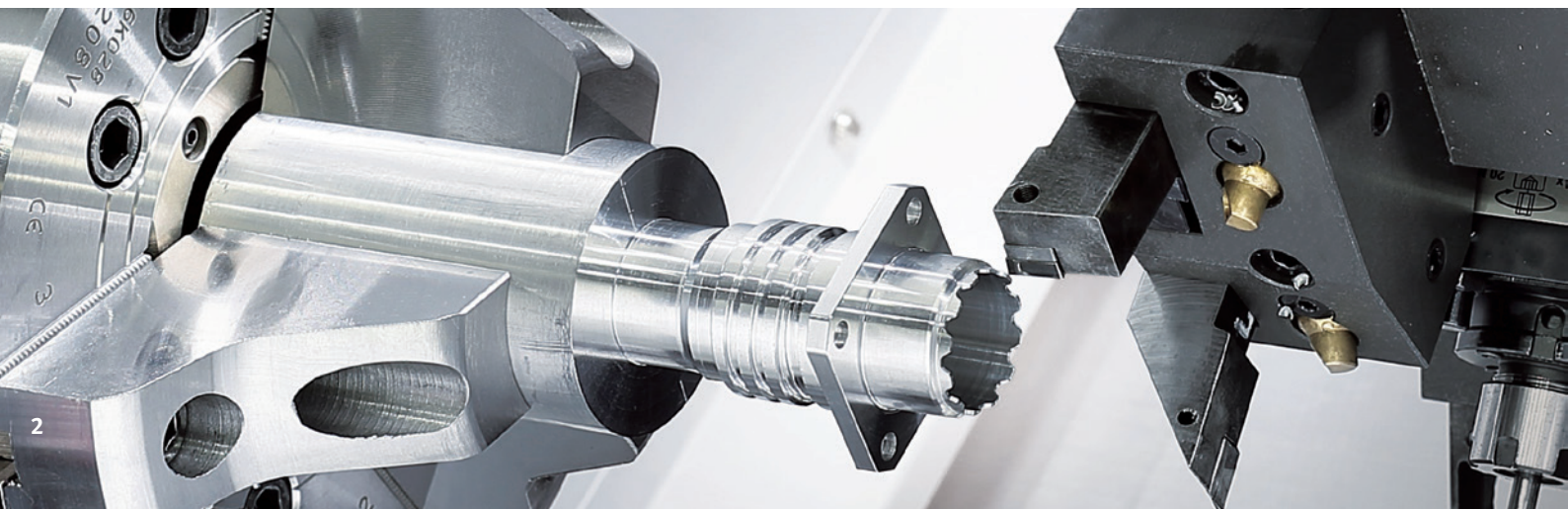
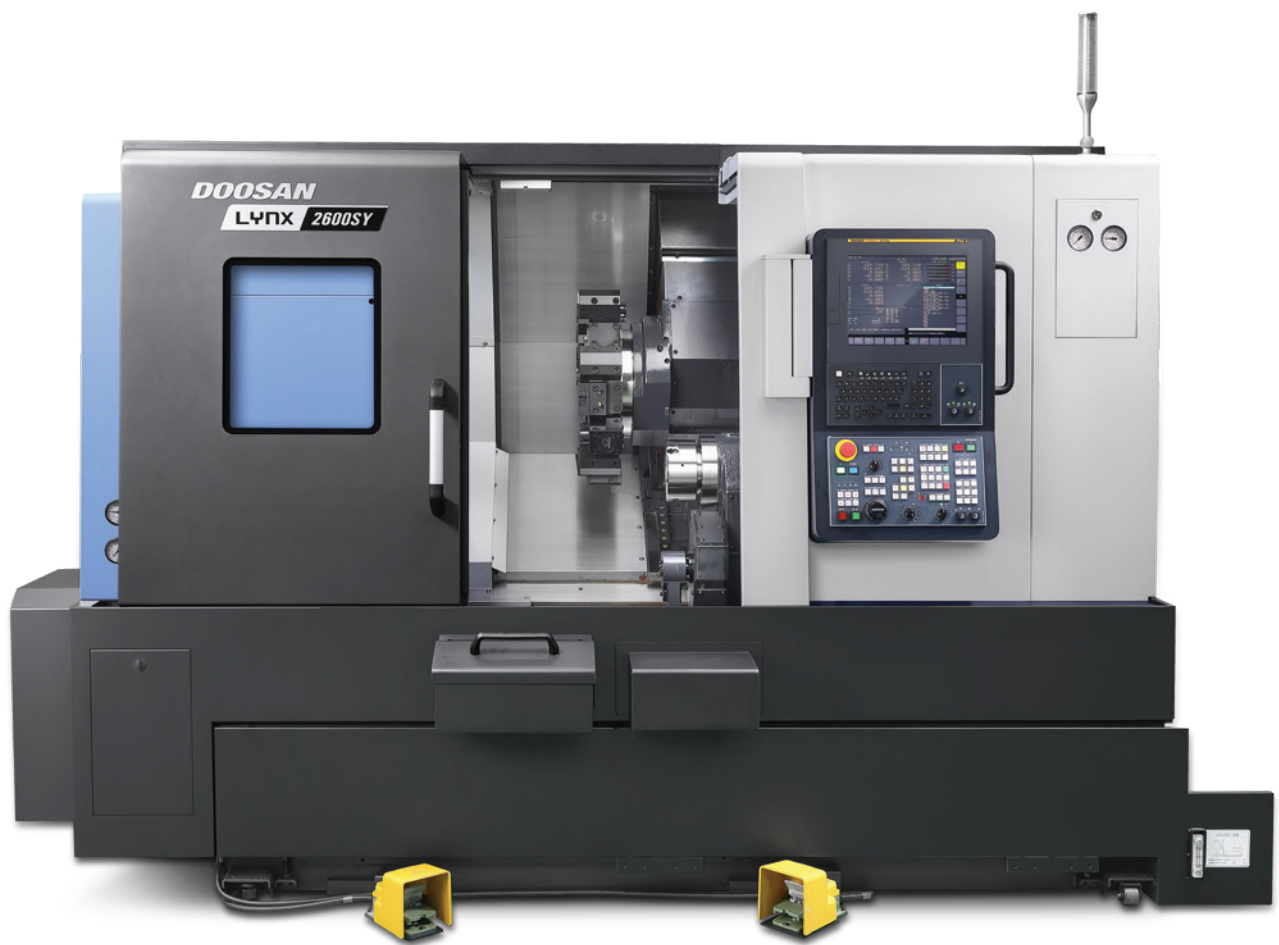


**Doosan Machine Tools**

# Lynx 2100LY · 2600Y SERIES

---

The Lynx 2100LY is a new Y-axis model from the Lynx 2100 series and enables complex parts to be machined in a single setup. The Lynx 2600Y has a 380mm (max) machining diameter and has upgraded structural rigidity/accuracy to increase its machining capabilities and productivity. High precision off-center machining is easy to achieve and productivity gains, due to a significant reduction in cutting and non-cutting times when machining complex parts, can be realised.





## MACHINE COMPLEX SHAPES IN ONE SETUP

The Y-axis 105mm( $\pm$ 52.5mm) and sub-spindle enable complex parts, with a range of different features and details, to be machined faster and easier.

## HIGH RELIABILITY

The machines' excellent reliability is due to the adoption of wider support structures, more stable beds, low vibration/low noise producing spindles, servo-driven turrets, and a full slideway covers that prevent coolant leaks and chips from penetrating the machine.

## IMPROVED USER CONVENIENCE

The new Easy Operation Package (EOP) and hot keys enable the user to operate peripheral devices quickly and conveniently. User convenience has been further enhanced with grease type lubrication and CNC tailstocks



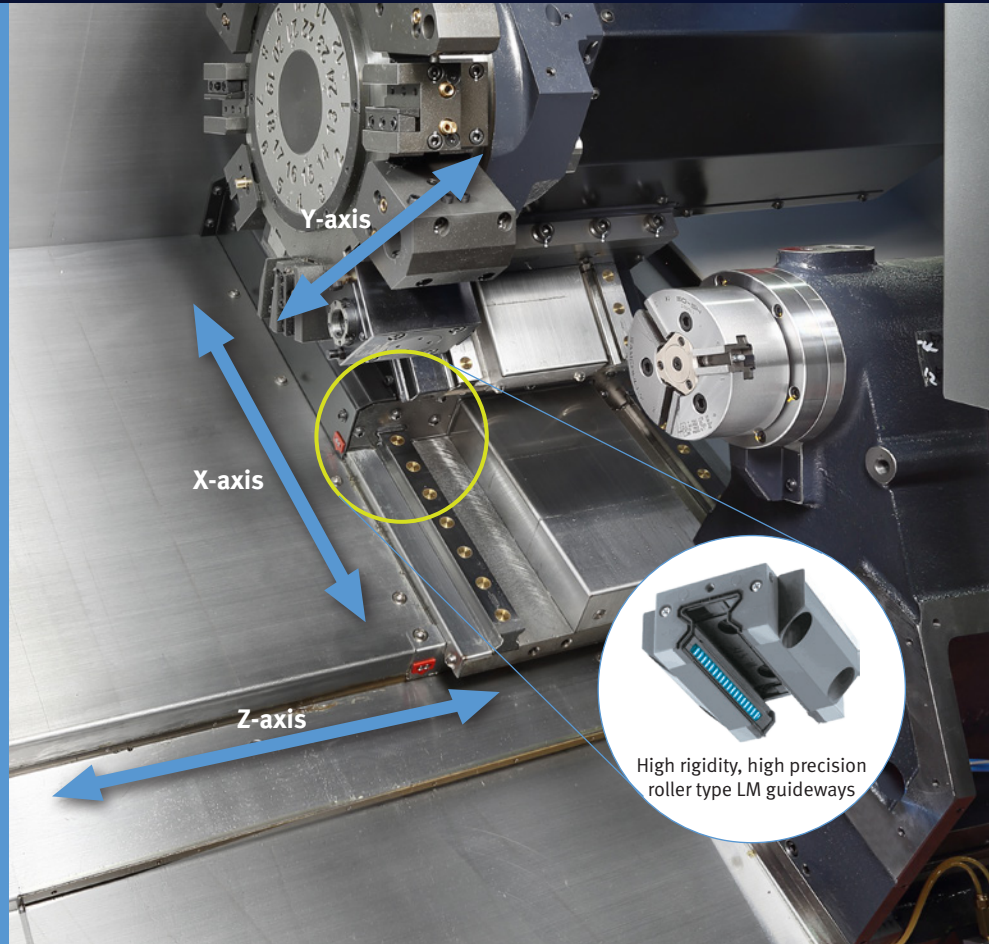
# BASIC STRUCTURE

A stable, highly-rigid bed structure and the adoption of roller type LM guide on all axes improve durability and ensure high accuracy machining.

## Feed axes configuration

High-productivity is achieved with a process-intensive structure comprising opposing spindles and upper and lower turrets.

Model	Chuck size	Travel distance (mm(inch))			Rapid traverse (m/min(ipm))		
		X axis	Y axis	Z axis	X axis	Y axis	Z axis
Lynx 2100LYA/LSYA	6 inch	205 (8.1)	105 (4.1)	560 (22.0)	30 (1.2)	10 (0.4)	36 (0.4)
Lynx 2100LYB/LSYB	8 inch						
Lynx 2600Y/SY	10 inch	250 (9.8)	105 (4.1)	680 (26.8)	30 (1.2)	10 (0.4)	30 (1.2)



## Multi-tasking functions

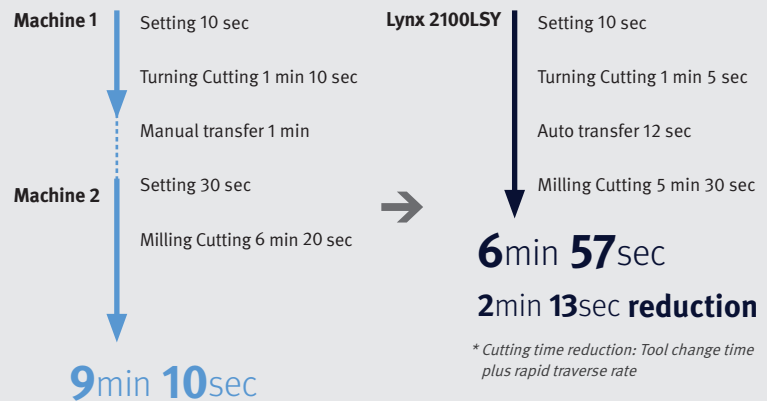
The combined functions of a spindle, a sub-spindle, a Y-axis and milling capabilities are greater than the combined machining capabilities and productivity generated by two, or more, 'general' machines.

## Reduced production lead time

**25 %**

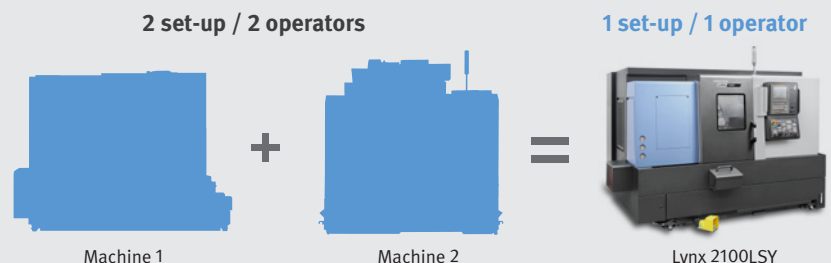


**Workpiece :** Machinery  
**Material :** Aluminum (AL7075)  
**Workpiece size :** Ø70 x 35 mm (Ø2.8 x 1.4 inch)  
**Cutting tool :** 16 set



Lynx 2100 Series with Sub-spindle and Y-axis, enables 'One Hit' machining

**Save time...reduce labor...achieve higher accuracies!**





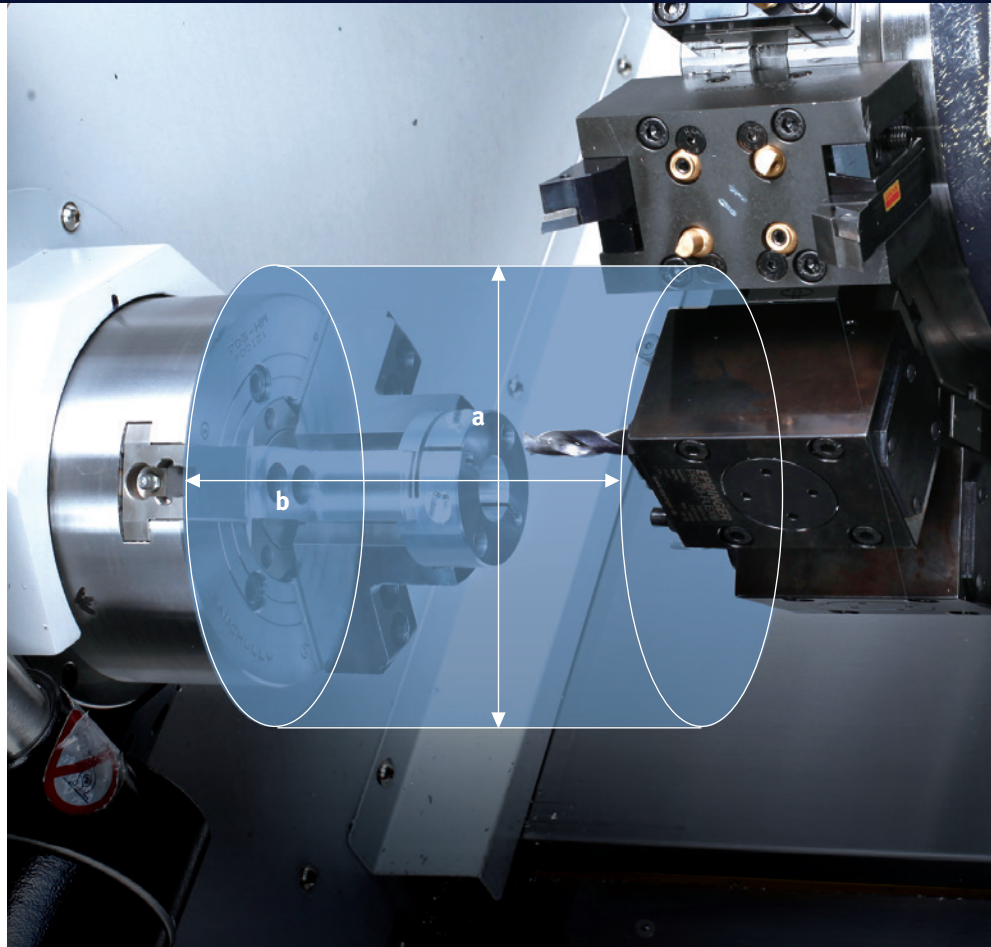
# MACHINING AREA

The Lynx 2100LY and Lynx 2600Y series comprises 4 models with different chuck sizes and either sub-spindles or tailstocks.

Model	Max. Turning diameter (a)	Max. Turning length (b)	Sub spindle
Lynx 2100LYA / LYB	300 mm* (11.8 inch)	510 mm (20.1 inch)	X
Lynx 2100LSYA / LSYB			O
Lynx 2600Y	380 mm** (15.0 inch)	610 mm (24.0 inch)	X
Lynx 2600SY			O

\* Max. Turning diameter is 236mm (9.3 inch) if optional 16 station turret is specified

\*\* Max. Turning diameter is 292mm (11.5 inch) if optional 16 station turret is specified



## High performance Y-axis for complex machining

The Y-axis enables the flexible use and application of the machine's rotary milling tools and the ability to machine complex parts (and features) to high accuracy.

### Y axis travel

**105 (±52.5) mm**

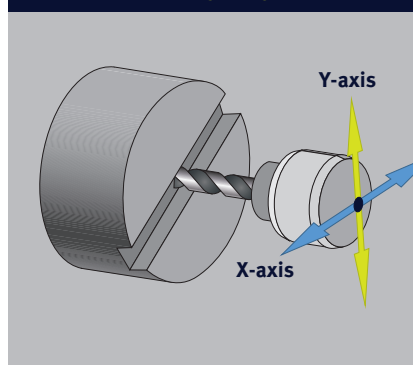
4.1 (±2.1) inch

### Y axis rapid traverse

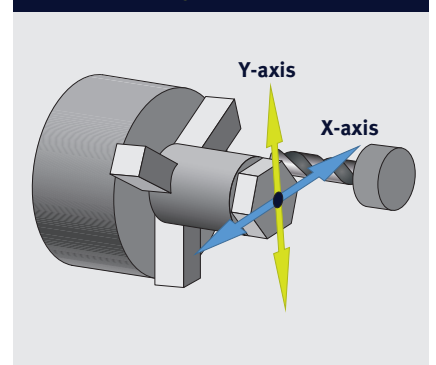
**10 m/min**

393.7 ipm

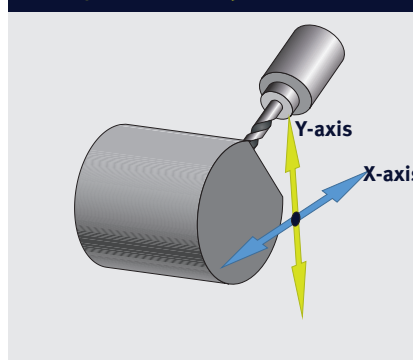
Groove finish cutting using the Y-axis



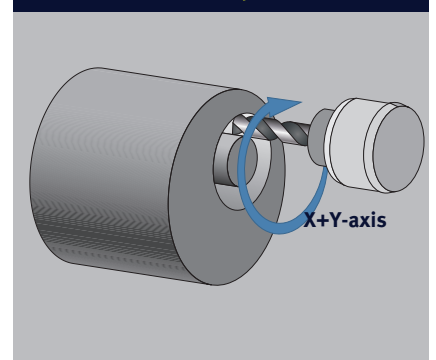
Multi-face cutting



Milling in an eccentric position



Y & X-axis circular interpolation



# SPINDLE

The high power, high-torque spindle motor enables high-precision and heavy-duty cutting, and significant improvements in productivity.

## Main spindle

Powerful spindle motor is capable of 0.001degree high-accuracy C-axis control and can provide a large bar capacity up to 81mm(3.2inch)

### Max. spindle speed

Lynx 2100LYA/LSYA

**6000** r/min

### Spindle motor power

Lynx 2600Y/SY

**18.5** kW

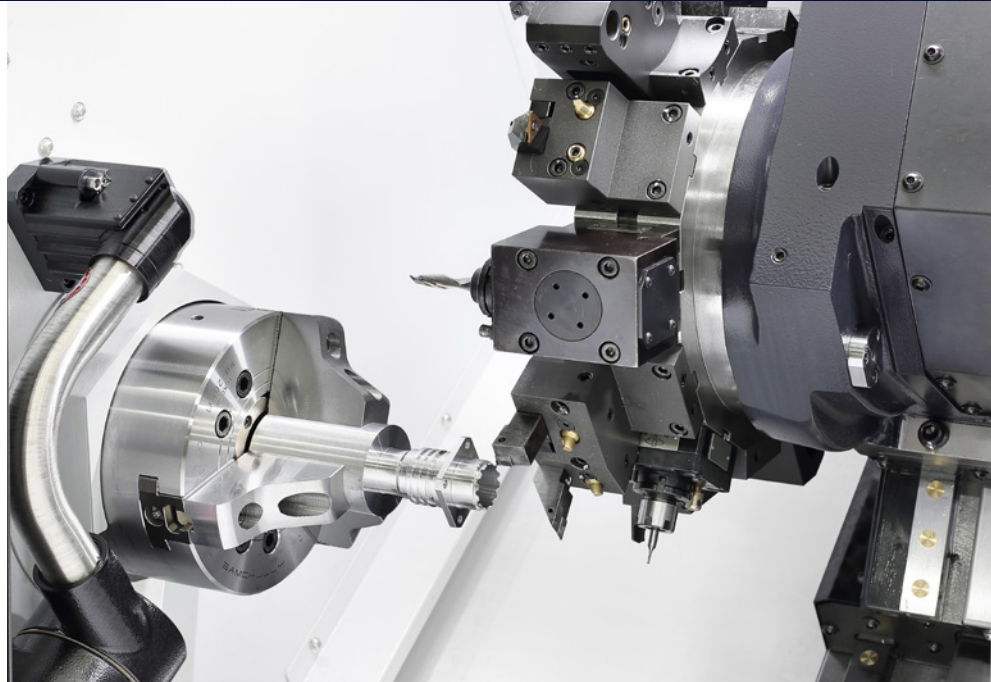
24.8 Hp

### Bar working dia.

Lynx 2600Y/SY

**81** mm

3.2 inch



Model	Max. speed r/min	Max. Power kW (Hp)	Max.Torque N-m (ft-lbs)	Bar Working Dia. mm (inch)
Lynx 2100LYA/LSYA	6000	15 (20.1)	127 (93.7)	65 (2.6)
Lynx 2100LYB/LSYB	4500	15 (20.1)	169 (124.7)	65 (2.6)
Lynx 2600Y/SY	3500	18.5 (24.8)	403 (297.4)	81 (3.2)

## Sub-spindle

The sub-spindle function enables rear-side cutting in a single setup to be achieved, thereby improving productivity and efficiency.

### Max. spindle speed

Lynx 2100LSYA/LSYB

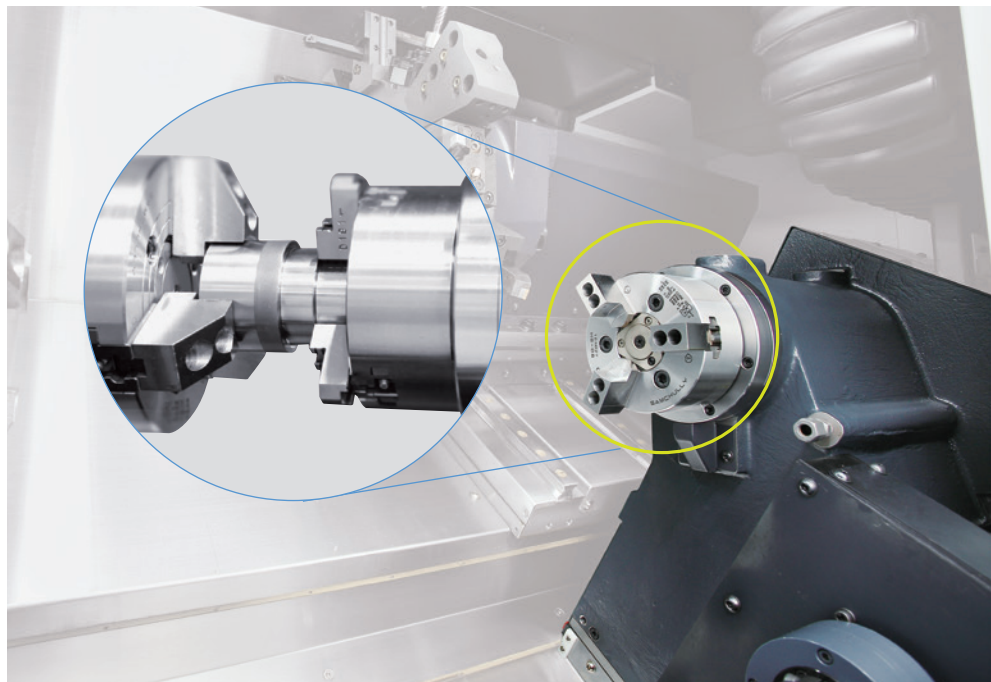
**6000** r/min

### Max. power

Lynx 2600Y/SY

**7.5 / 5.5** kW

10.1/7.4 Hp



Models	Standard chuck size	Spindle speed r/min	Max.power kW (Hp)	Max torque N-m (ft-lbs)
Lynx 2100LSYA/LSYB	5 inch	6000	5.5/3.7 (7.4 / 5.0) (15min/Cont.)	47 (34.7)
Lynx 2600Y/SY	6 inch	4500	7.5/5.5/5.5 (10.1/7.4/7.4) S6 25%/S6 40%/Cont.)	84 (62.0)



# TURRET

Servo driven turret indexing increases process reliability and the BMT type milling turret delivers improved rigidity.

## Servo-driven turret

The high-torque servo motor controls a) rotational acceleration and deceleration of the turret b) clamping/unclamping operations. Its excellent dividing position ensures consistent high machining accuracies.

Lynx 2100LY

### Number of tool stations

**12** {24 position, 6ea OPTION}

### Indexing time

**0.11 s**

### Max. rotary tool speed

**BMT45P**

**6000** r/min

**{10000** r/min OPTION}

Lynx 2600Y

### Number of tool stations

**12** {24 position, 16ea OPTION}

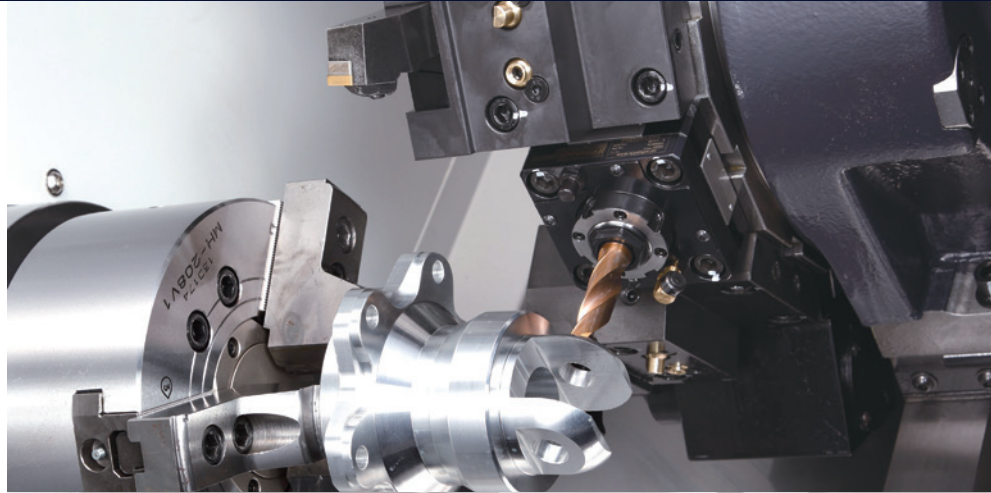
### Indexing time

**0.15 s**

### Max. rotary tool speed

**BMT55P**

**5000** r/min



## Cutting performance

OD turning (turning dia. 88 mm (3.5 inch))			
Cutting speed	Feedrate	Cutting depth	Chip revoval rate
210 m/min (8268 ipm)	0.55 mm/rev (0.02 ipr)	4 mm (0.16 inch)	462 cm <sup>3</sup> /min (24.3 inch <sup>3</sup> /min)
U-drilling (2 axis)			
U drill dia.	Spindle speed	Cutting speed	Feedrate
Ø 63 mm (Ø 2.5 inch)	1011 r/min	200 m/min (7874 ipm)	0.15 mm/rev
Drilling			
U drill dia.	Milling spindle speed	Cutting speed	Feedrate
Ø 12 mm (Ø 0.5 inch)	3184 r/min	120 m/min (4724 ipm)	0.20 mm/rev
Endmill			
U drill dia.	Cutting speed	Feedrate	Cutting depth
Ø 12 mm (Ø 0.5 inch)	60 m/min (2362 ipm)	300 mm/rev (11.8 ipr)	14 mm (0.6 inch)
Tapping			
Tool	Milling spindle speed	Cutting speed	Feedrate
M14 X P1.75	387 r/min	17 m/min (669 ipm)	1.75 mm/rev



\* The results, indicated in this catalogue are provides as examples only They may not be obtained in all cases due to differences in cutting and environmental conditions.



# TAILSTOCK

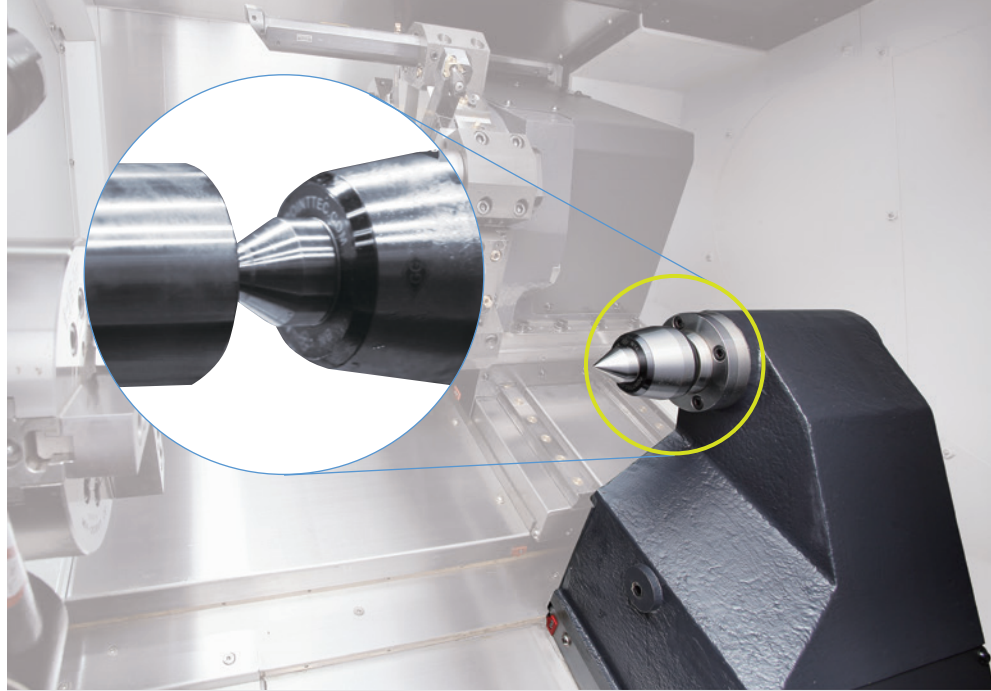
Adoption of the hydraulically actuated CNC tailstock (hydraulic type) enables tailstock positioning and work setting to be achieved using the operation panel. The dedicated screen reduces work setting times by about 50%.

## CNC Tailstock (Hydraulic Type)

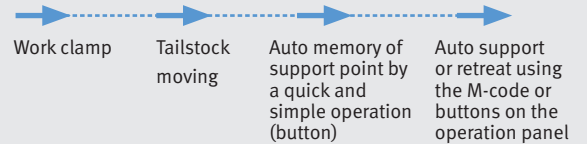
Lynx 2100LYA/LYB/2600Y (standard)

Setting time reduced by

50% ↓



The EOP (Easy Operation Package) System enables fast and easy tailstock positioning and control.



# DOOSAN GANTRY LOADER

The Doosan Gantry Loader is compact and easily customizable stand-alone type of automation solution controlled by a motion controller.



Discription		Unit	Lynx 2100LY/LSY
Travel*	Z / Y-axis	mm (inch)	4422 / 1046 (174.1 / 41.2)
	Rapid traverse	Z / Y-axis	m/min (ipm)
Work Capacity		mm (inch)	Ø150 x 90 (5.9 x 3.5)
		kg (lb)	3 (6.6)
Number of Pallets (Work Stocker)		st	14

\* The travel distance is in case of A3 type. For further information, please contact DOOSAN.

# STANDARD & OPTIONAL SPECIFICATIONS

A range of options is available to suit individual requirements.

Description	Features	Lynx 2100LYA	Lynx 2100LYB	Lynx2100LSYA	Lynx 2100LSYB	Lynx 2600Y	Lynx 2600SY
Chuck	6 inch	●	X	●	X	X	X
	8 inch	○	●	○	●	X	X
	10 inch	X	○	X	○	●	●
	12 inch	X	X	X	X	○	○
	No chuck	○	○	○	○	○	○
	5 inch (for sub spindle)	X	X	●	●	X	X
	6 inch (for sub spindle)	X	X	X	X	●	●
Jaw	Soft Jaw	●	●	●	●	●	●
	Hard Jaw	○	○	○	○	○	○
Chucking option	DUAL PRESSURE CHUCKING	○	○	○	○	○	○
	CHUCK CLAMP CONFIRMATION	●	●	●	●	●	●
Tailstock	CNC Tailstock (Hydraulic type)	●	●	X	X	●	X
Coolant pump	1.5 bar	●	●	●	●	●	●
	Increase power (4.5/7/10/14.5/20 bar)	○	○	○	○	○	○
Coolant options	Chuck coolant	○	○	○	○	○	○
	TSC for sub spindle	X	X	○	○	X	○
	Coolant chiller	○	○	○	○	○	○
	Oil skimmer	○	○	○	○	○	○
	Coolant pressure switch	○	○	○	○	○	○
	Coolant level switch : Sensing level - Empty / Low / Enough / Full	●	●	●	●	○	○
	Coolant gun	○	○	○	○	○	○
Chip disposal options	Side type chip conveyor	○	○	○	○	○	○
	Rear type chip conveyor	○	○	○	○	○	○
	Chip bucket	○	○	○	○	○	○
	Air blower	○	○	○	○	○	○
	Mist collector interface	○	○	○	○	○	○
	Integrated mist collector	○	○	○	○	○	○
Measuring & automation	Tool setter (Manual / Auto)	○	○	○	○	○	○
	Part catcher with parts box	○	○	○	○	○	○
	Part catcher with parts conveyor	○	○	○	○	○	○
	Workpiece ejector	X	X	○	○	X	○
	Auto door	○	○	○	○	○	○
	Bar feeder interface	○	○	○	○	○	○
	Robot interface	○	○	○	○	○	○
	Axis-tool number display	○	○	○	○	○	○
Others	Tool load monitoring system	○	○	○	○	○	○
	Linear scale	○	○	○	○	○	○
	signal tower	○	○	○	○	○	○
	Air gun	○	○	○	○	○	○
	Automation power off	○	○	○	○	○	○
	Quick change tooling(CAPTO)	○	○	○	○	○	○
	Sketch-turn S/W	○	○	○	○	○	○
	Customized Special Option	AUTOMATIC TOP DOOR	○	○	X	X	X
SHOWER COOLANT		○	○	○	○	○	○
DUAL PRESSURE COOLANT FOR MAIN TURRET		○	○	○	○	○	○
AUTO. WORK MEASUREMENT_OLP40_RENISHAW		○	○	○	○	○	○
TSC FOR MAIN/LEFT SPINDLE_PREPARATION		○	○	○	○	○	○
MILLING TOOL HOLDER_UNIVERSAL	○	○	○	○	○	○	

Please contact your Doosan Machine Tools representative for detailed machine information.

● Standard ○ Optional X N/A



There is a high risk of fire when using non-water-soluble cutting fluids, processing flammable materials, neglecting the controlled and careful use of coolants and modifying the machine without the consent of the manufacturer. Always check the SAFETY GUIDELINES carefully before using the machine.

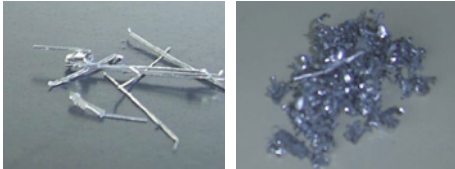
# PERIPHERAL EQUIPMENT

## Chip conveyor OPTION



Long

Short



Needle

Sludge

### Hinged belt type\*

Most common type of chip conveyor. Appropriate for steel materials generating chips over 30mm.

### Drum filter type\*\*

Chip conveyor with a magnet: Appropriate for machining cast iron and the generation of fine chips.

Chip conveyor type	Material	Carbon steel)			Cast iron		Aluminium		
		Long	Short	Needle	Short	Sludge	Long	Short	Needle
Hinged belt type*		○	△	X	△	X	○	△	X
Scrapper type	Normal	X	○	△	○	△	X	△	X
	Magnetic	X	○	○	○	○	-	-	-
Drum filter type**	Hinged type	○	△	X	△	X	○	△	X
	Scrapper	X	○	△	○	△	X	○	△

○ : Suitable, △ : Possible, X : Not suitable

## Quick change CAPTO OPTION

The Quick Change Tool system simplifies tool change operation. Recommended for users who need to change tools frequently or reduce the set-up time.



## Greaselubrication system

The standard grease lubrication system eliminates the need for an oil skimmer and reduces lubrication costs by about 80% compared to oil lubrication.

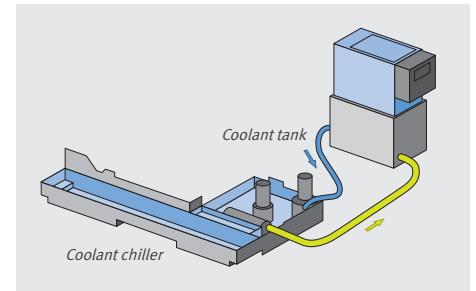
Yearly maintenance cost

MAX. 80% ↓



## Coolant chiller (recommended) OPTION

A coolant chiller is recommended to help prevent temperature rises and to reduce thermal deformation when using a water-insoluble coolant or high-pressure coolant system (i.e., power over 1.5kW).



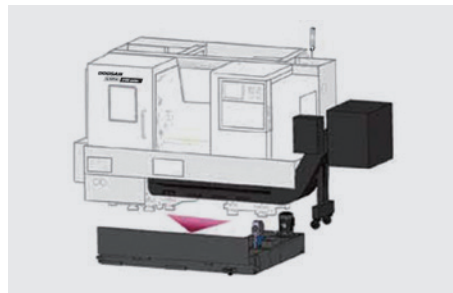
## Axis-tool number display OPTION

Axis-tool 'Number Display' is located inside the machine and it displays real time information to the operator.



## Easy-to-clean coolant tank

The coolant tank can be isolated without removing the chip conveyor, significantly enhancing the operator's convenience and overall efficiency.



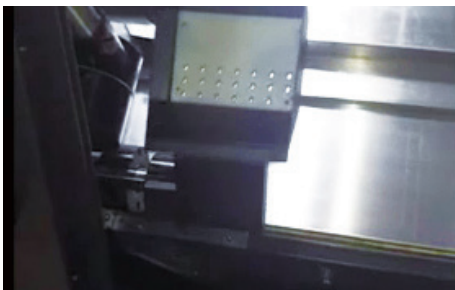
## Tool setter (Manual / Auto) (Tool length measurement device) OPTION

The tool setter facilitates the setting of cutting tools, and can be used to automatically detect and compensate for worn tools.



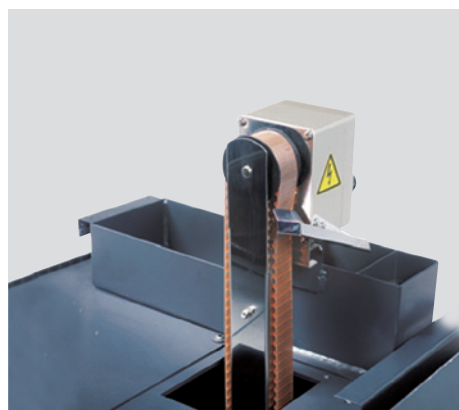
## Part catcher OPTION

The Part Catcher automatically catches finished parts and transfers them securely to downstream processes.



## Oil skimmer OPTION

As the Lynx 2100 Series uses a grease type lubricant, the coolant rarely mixes with oil. This optional oil skimmer helps to maintain the exceptional service life of the coolant.





# DOOSAN FANUC i PLUS

Doosan Fanuc i Plus maximizes customer productivity and convenience.

## 15" Screen + New OP

Doosan Fanuc i Plus' operation panel enhances operating convenience by incorporating common-design buttons and layout. It features a Qwerty keyboard for fast and easy data input and operation.

### Doosan Fanuc i Plus

- 15-inch color display
- Intuitive and user-friendly design

### USB and PCMCIA card QWERTY keyboard

- EZ-Guide i standard
- Ergonomic operator panel
- 2MB Memory
- Hot keys



### iHMI touchscreen OPTION

iHMI provides an intuitive interface that uses a touchscreen for quick and easy operation.

### Range of applications

Providing various applications related to planning, machining, improvement and utility, for customer convenience.

### SKETCH-TURN OPTION

#### DOOSAN Conversational programming software for PC

- Easy to learn for beginners
- Time savings in programming
- Reduce processing cycle time



## NUMERIC CONTROL SPECIFICATIONS

FANUC

Division	Item	Specifications	Y	SY
			Doosan Fanuc i (FOi-F Plus)	Doosan Fanuc i (FOi-F Plus)
Controlled axis	Controlled axes		4(X,Z,C,Y)	6(X,Z,C1,Y,C2,B)
	Simultaneously controlled axes		4 axes	4 axes
Data input/output	Fast data server		○	○
	Memory card input/output		●	●
	USB memory input/output		●	●
	Larger capacity memory_2GB	Note *2) Available Option only with 15" Touch LCD (iHMI Only)	○*2)	○*2)
Interface function	Embedded Ethernet		●	●
	Fast Ethernet		○	○
	Enhanced Embedded Ethernet function		●	●
Operation	DNC operation	Included in RS232C interface.	●	●
	DNC operation with memory card		●	●
Program input	Workpiece coordinate system	G52 - G59	●	●
Feed function	AI contour control I	G5.1 Q_ , 40 Blocks	●	●
	AI contour control II	G5.1 Q_ , 200 Blocks	○	○
Operation Guidance Function	EZ Guidei (Conversational Programming Solution)		●	●
	iHMI with Machining Cycle	Note *1) Only with 15" Touch LCD standard	○*1)	○*1)
	EZ Operation package		●	●
Setting and display	CNC screen dual display function		●	●
Network	FANUC MTConnect		✳	✳
	FANUC OPC UA		✳	✳
Others	Display unit	15" color LCD	●	●
		15" color LCD with Touch Panel	○	○
	Part program storage size & Number of registerable programs	640M(256KB)_500 programs 5120M(2MB)_1000 programs	X ●	X ●

Network: FANUC MTConnect and FANUC OPC UA available.

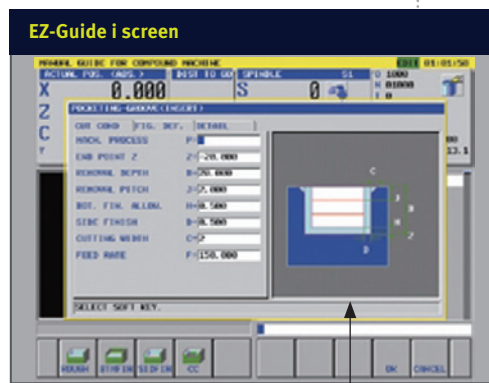
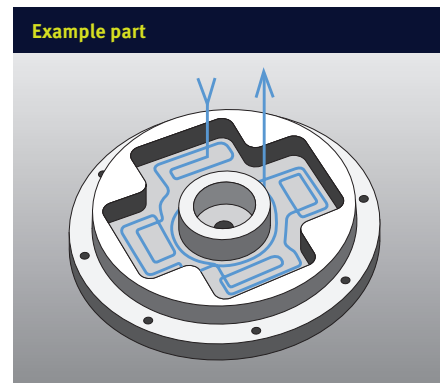
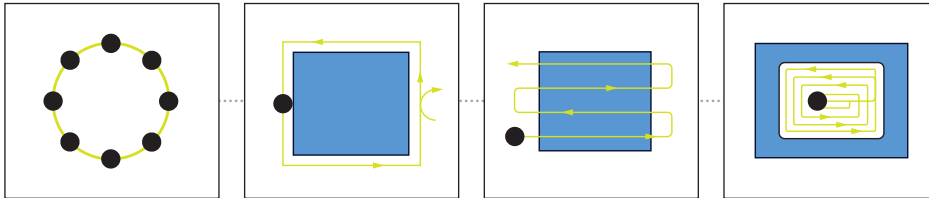
● Standard ○ Optional X N/A ✳ Available

# DOOSAN FANUC i PLUS

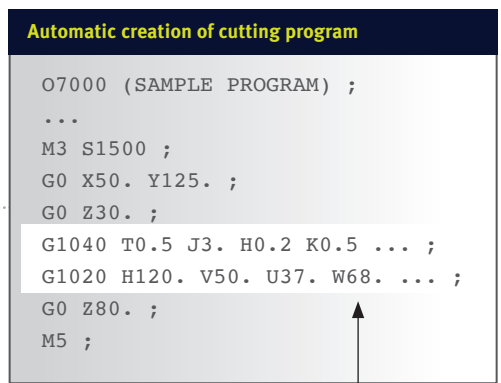
## EZ-Guide i

Using the Doosan EZ-Guide i, users can create a cutting program for any desired shape, including patterns, by entering just the dimensions.

Example programming : Cutting shape



Enter the dimensions of the shape



A cutting program is automatically created with the entered values.

## Easy operation package

Doosan's easy operation package (EOP) supports the user with functions relating to tool data, error diagnostics, set up and machine monitoring.

### Tool monitoring screen



### Tool load monitoring function

During cutting operation, abnormal load caused by wear or damage of the tool is detected and an alarm is triggered to prevent further damage.

### Parts unloader maintenance and service screen



### Convenience of maintenance and service

The condition and service procedures of the sensors are provided for easy maintenance and servicing of major units.



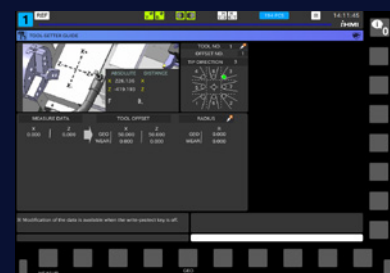
### Crash avoid check

Set the interference area between turret and sub spindle to avoid collision.



### Tool management

### Q-setter Automatic measurement



### Convenient set up for peripheral equipment

Helps tool setter guide, work setting, tailstock setting, and other measurement and parameter control to reduce setting-up time and facilitates operation.

# CONVENIENT OPERATION

## SIEMENS S828D

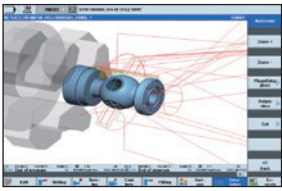
### 15.inch display + New OP

Siemens 828D' operation panel enhances operating convenience by incorporating common-design buttons and layout. It features a Qwerty keyboard for fast and easy data input and operation.

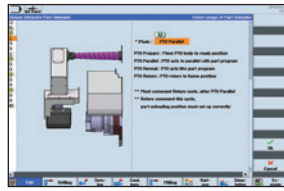
- 15.6 inch display
- USB (standard)
- QWERTY keyboard



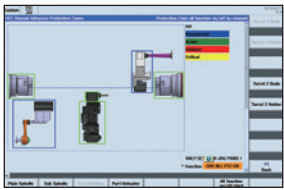
### Convenient conversational functionality



**Cutting and operation support function**  
This function shows a cutting and tool path simulation in real-time.



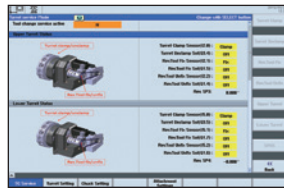
Shop-turn mode  
[various]  
↓  
[attachments]



[Custom]  
↓  
[Protection zones]

#### Operation safety function

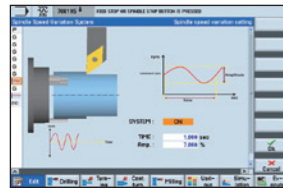
Protection Zone Synchronized Actions checks the interference between the turret and the spindle to prevent collisions caused by operator error.



[offset]  
↓  
[operating parameter]  
↓  
[TC service]

#### Maintenance and service convenience function

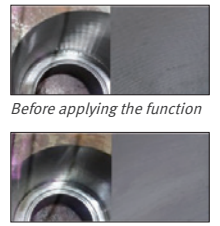
Maintenance and service of major equipment and peripheral devices, including the timer and parts counter settings can be easily undertaken.



[various]  
↓  
[attachment]  
↓  
[DSSV]

#### Machining accuracy improvement

The NC controls the spindle speed at an optimal level for precision threading and turning, making it possible to automatically improve surface finishes.



Before applying the function  
After applying the function

## NUMERIC CONTROL SPECIFICATIONS

SIEMENS

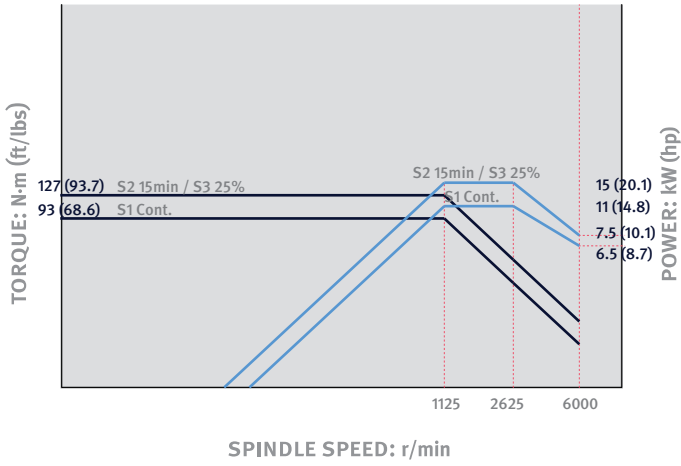
Division	Item	Specifications	2-Axis S828D	M S828D	S S828D	MS S828D	Y S828D	SY S828D
Controlled axis	Controlled axes		X,Z,SP	X,Z,C,R	X,Z,C,C2,B	X,Z,C,R,C2,B	X,Z,C,R,Y	X,Z,C,R,C2,Y,B
	Simultaneously controlled axes		4 axes	4 axes	4 axes	4 axes	4 axes	4 axes
Data input/output	Memory card input/output		X	X	X	X	X	X
	USB memory input/output		●	●	●	●	●	●
Interface function	Ethernet (X130)		○	○	○	○	○	○
	On network drive (without EES option, Extcall)		○	○	○	○	○	○
Operation	On USB storage medium, e.g. memory stick (without EES option, Extcall)		●	●	●	●	●	●
	Workpiece coordinate system	G54 - G59, G507 - G599	●	●	●	●	●	●
Feed function	Advanced surface		X	X	X	X	X	X
	Top surface		X	X	X	X	X	X
	Look ahead number of block		1	1	1	1	1	1
Programming & Editing function	3D simulation, finished part		●	●	●	●	●	●
	Simultaneous recording		●	●	●	●	●	●
	DXF Reader for PC integrated in SINUMERIK Operate		○	○	○	○	○	○
Operation Guidance Function	Shopturn		●	●	●	●	●	●
	EZ Operation package		●	●	●	●	●	●
Setting and display	Operation via a VNC viewer		●	●	●	●	●	●
	Network		●	●	●	●	●	●
Others	MTConnect		⊗	⊗	⊗	⊗	⊗	⊗
	OPCUA		○	○	○	○	○	○
	Display unit	15.6" color display with touch screen	●	●	●	●	●	●
	Part program storage size	CNC user memory 10 MB		●	●	●	●	●
		CNC user memory 100 MB		○	○	○	○	○
		CNC user memory 6GB		X	X	X	X	X
		CNC user memory 40GB (with PCU or IPC)		X	X	X	X	X
CNC user memory without limit(Execution from external storage devices)(EES / Using by USB or Network)			○	○	○	○	○	
HMI user memory for CNC part program 6GB		X	X	X	X	X		



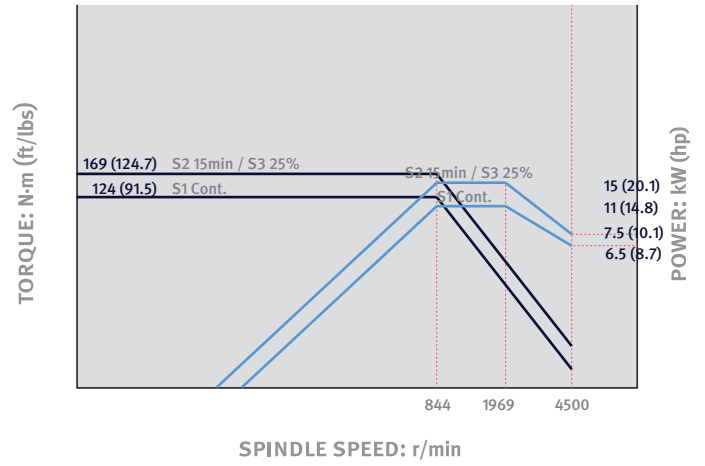
# POWER & TORQUE

FANUC

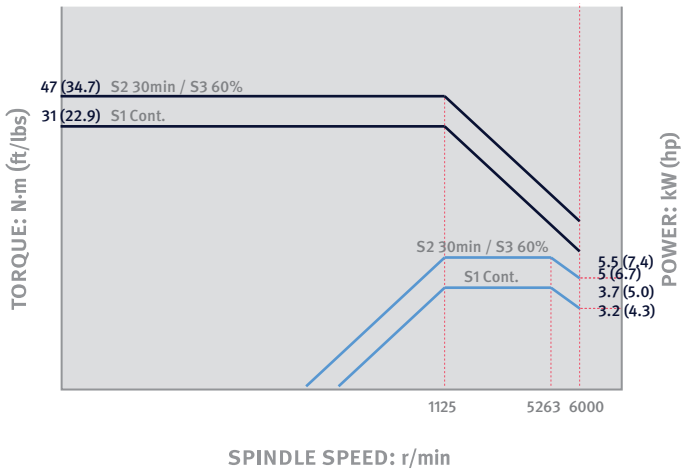
## Main Spindle\_ Lynx 2100LYA / LSYA



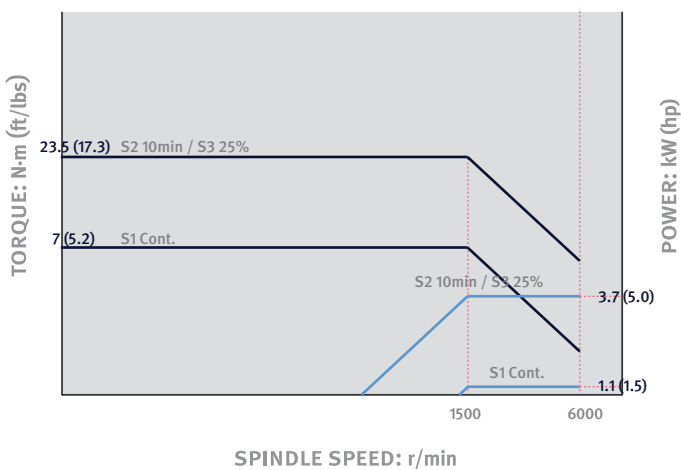
## Main Spindle\_ Lynx 2100LYB / LSYB



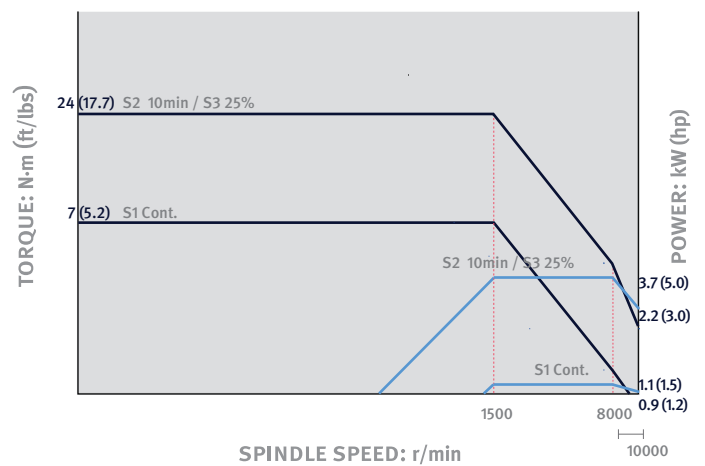
## Sub-Spindle\_ Lynx 2100LSYA / LSYB



## Rotary Tool\_ Lynx 2100LY / LSY



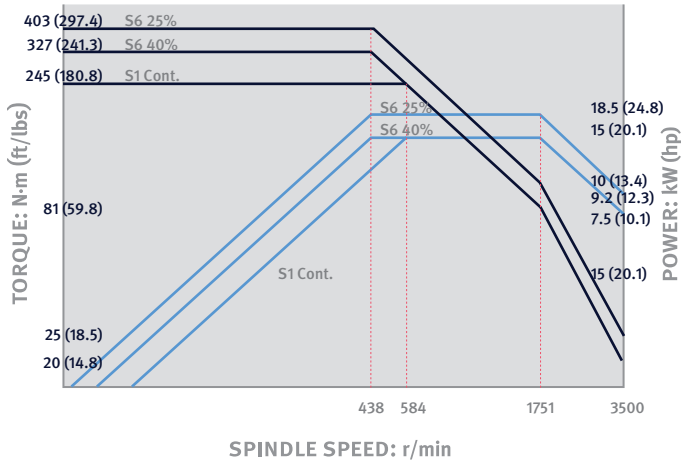
## Rotary Tool\_ Lynx 2100LY / LSY OPTION



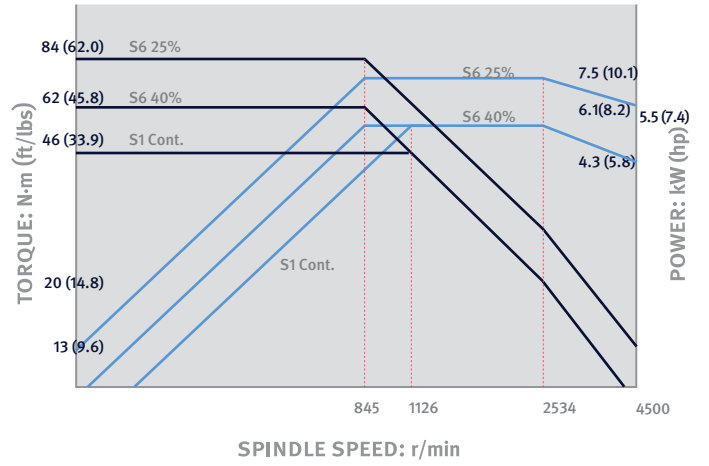
# POWER & TORQUE

FANUC

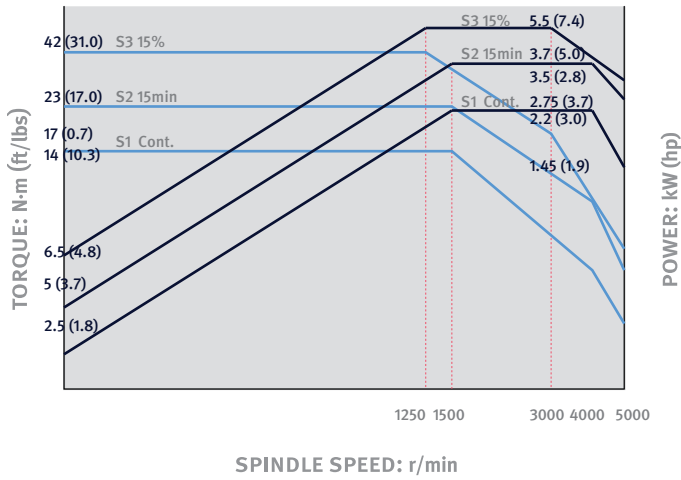
**Main Spindle\_ Lynx 2600Y/SY**



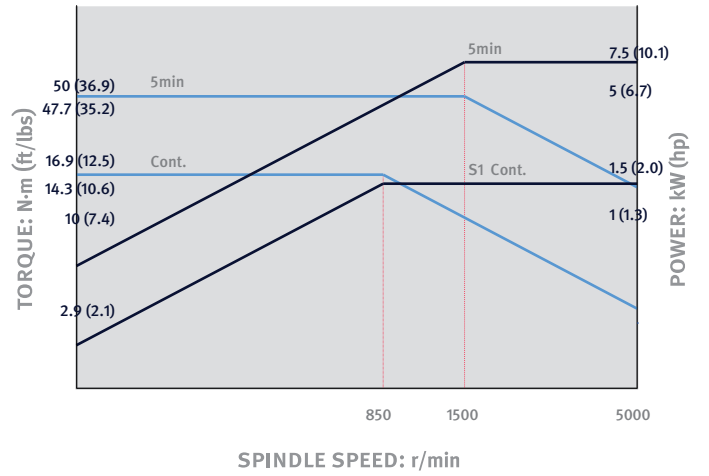
**Sub-Spindle\_ Lynx 2600Y/SY**



**Rotary Tool\_ Lynx 2600Y/SY 12st., 12st.(24st. positions) OPTION**



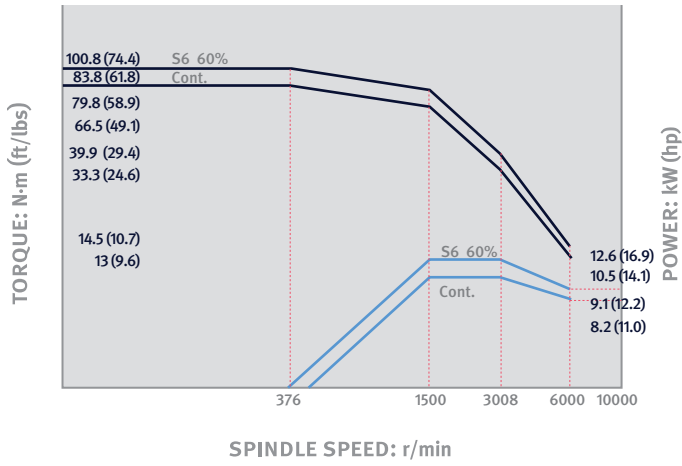
**Rotary Tool\_ Lynx 2600Y/SY 16st. OPTION**



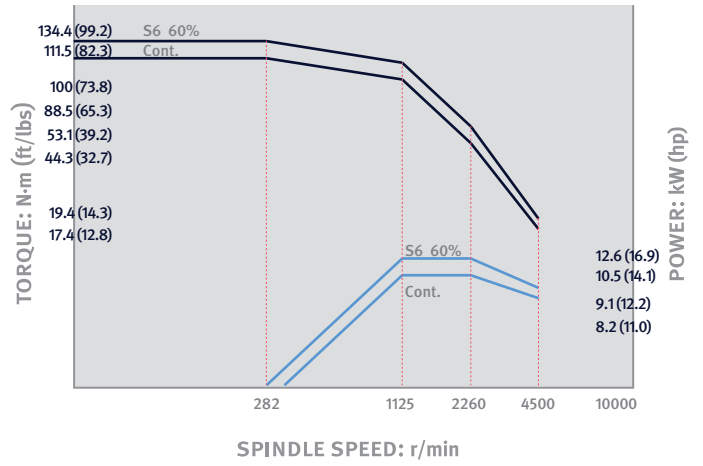
# POWER & TORQUE

SIEMENS

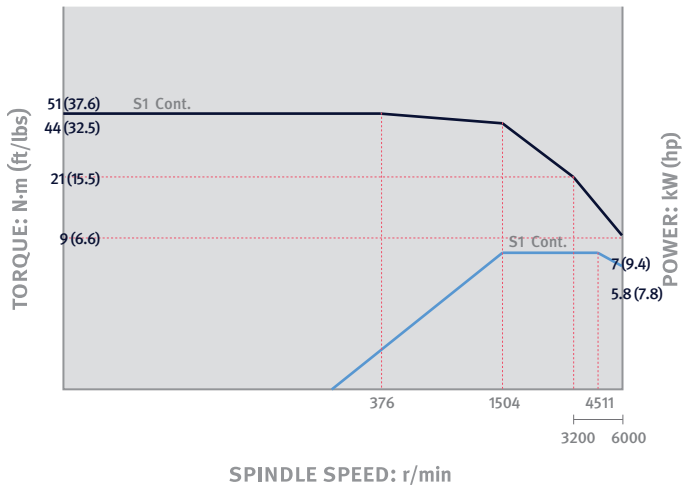
## Main Spindle\_ Lynx 2100LYA / LSYA



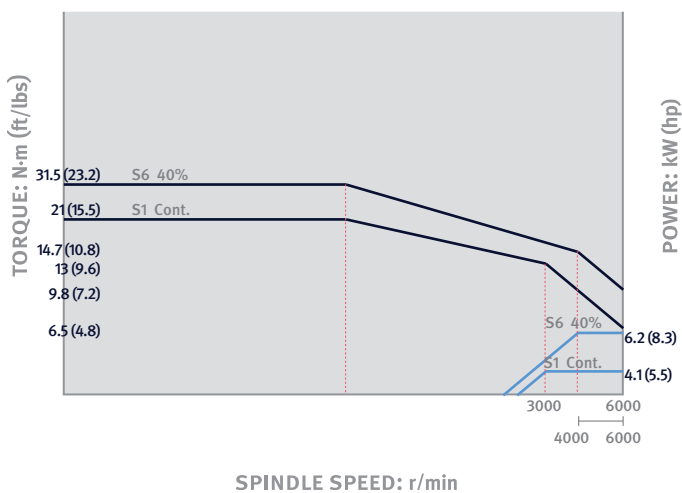
## Main Spindle\_ Lynx 2100LYB / LSYB



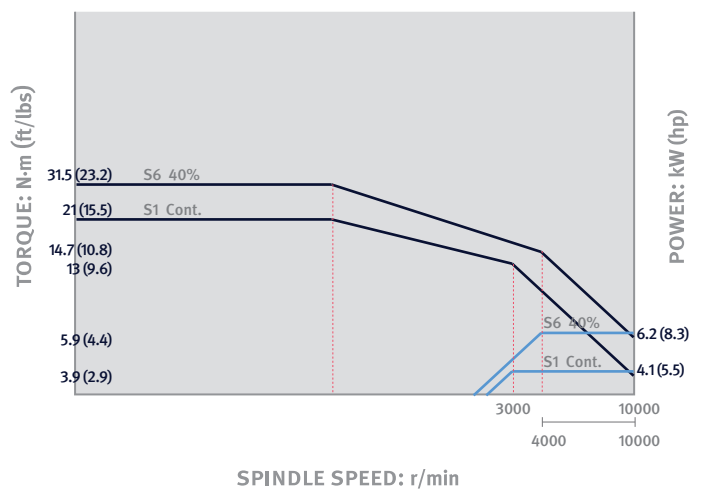
## Sub-Spindle\_ Lynx 2100LSYA / LSYB



## Rotary Tool\_ Lynx 2100LY / LSY



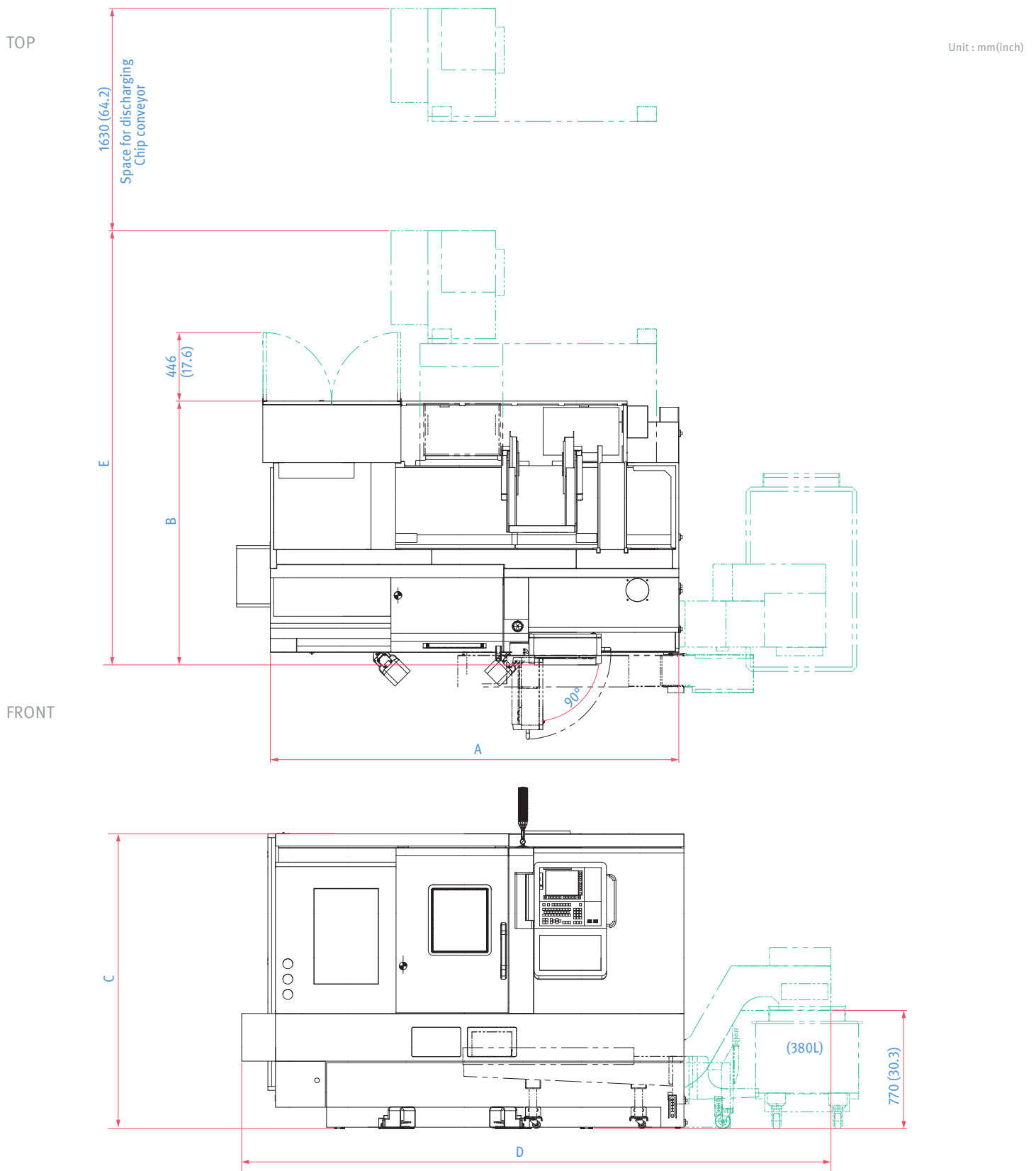
## Rotary Tool\_ Lynx 2100LY / LSY OPTION





# EXTERNAL DIMENSIONS

**Lynx** 2100LY series



Model	A	B	C	D	E
Lynx 2100LYA / LSYA	2880 (113.4)	1711 (67.4)	1921 (75.6)	3838 (151.1)	2820 (111.0)
Lynx 2100LYB / LSYB	2880 (113.4)	1711 (67.4)	1921 (75.6)	3838 (151.1)	2820 (111.0)

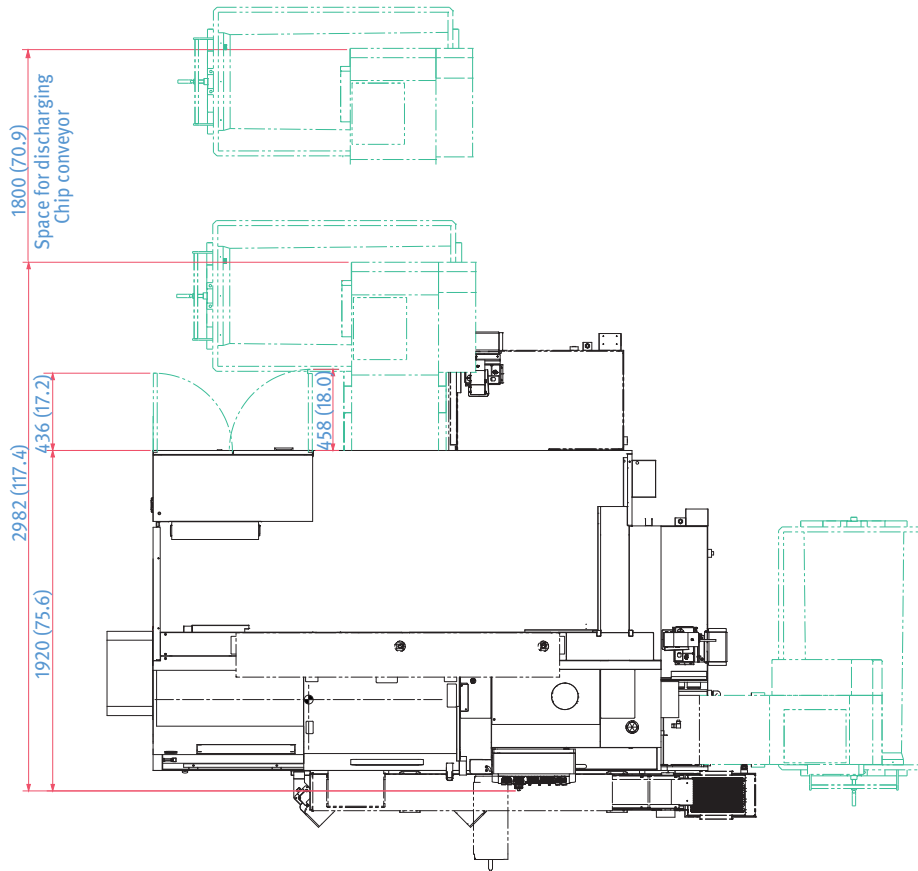
\* Some peripheral equipment can be placed in other places.

# EXTERNAL DIMENSIONS

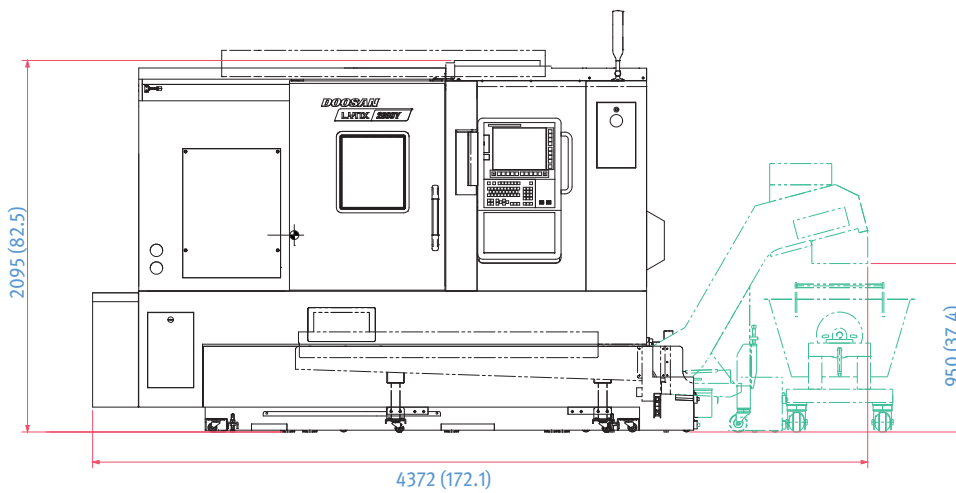
Lynx 2600Y series

TOP

Unit : mm(inch)



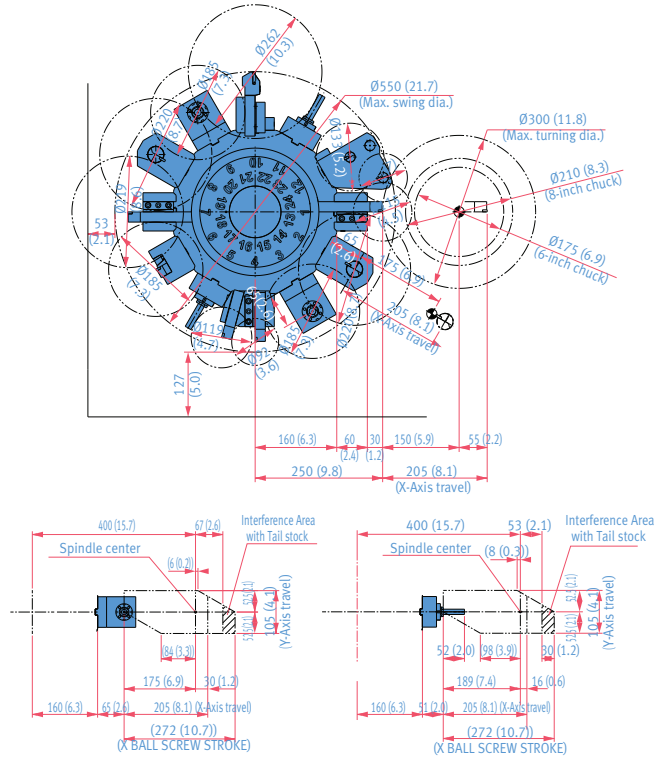
FRONT



# TOOL INTERFACE

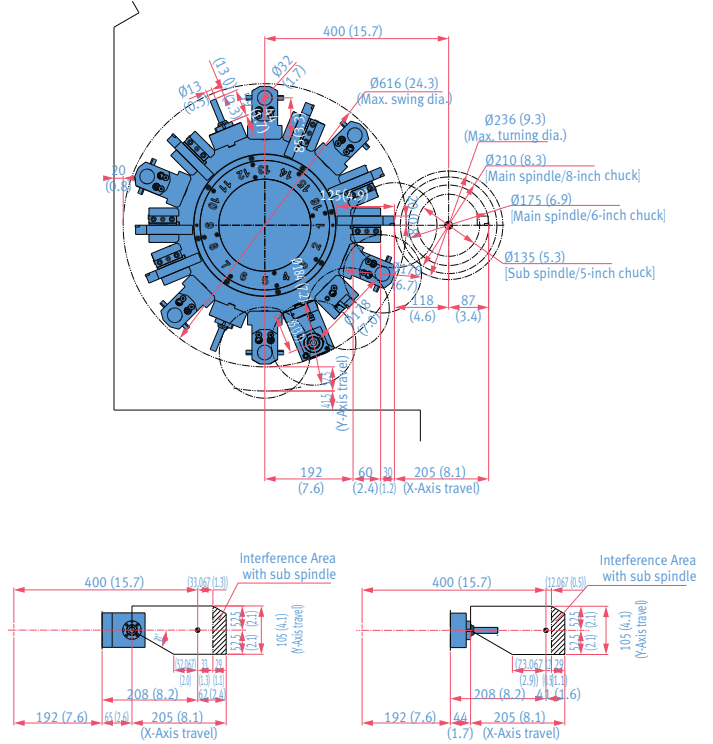
## Lynx 2100LY

12 station (24position)



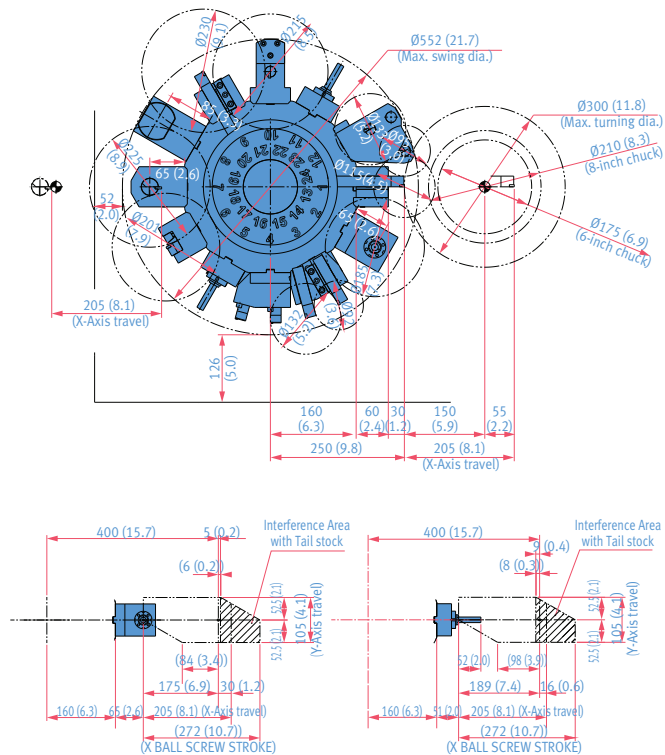
16 station

Unit : mm (inch)

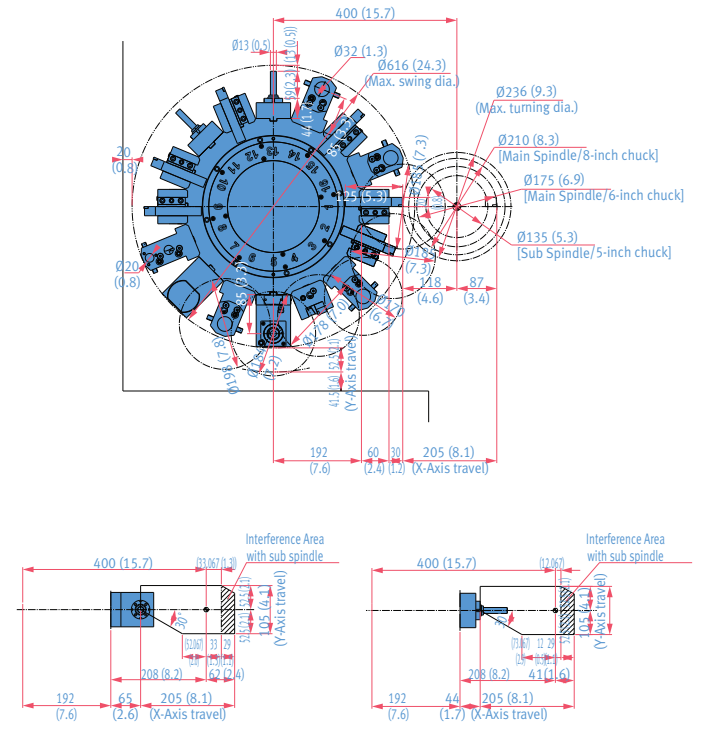


## Lynx 2100LSY

12 station (24position)



16 station

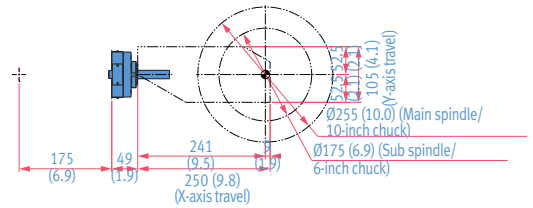
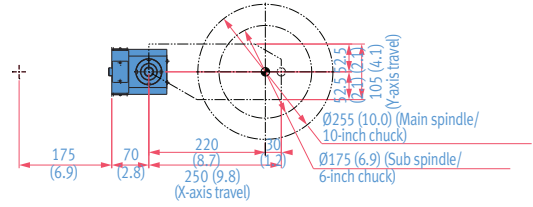
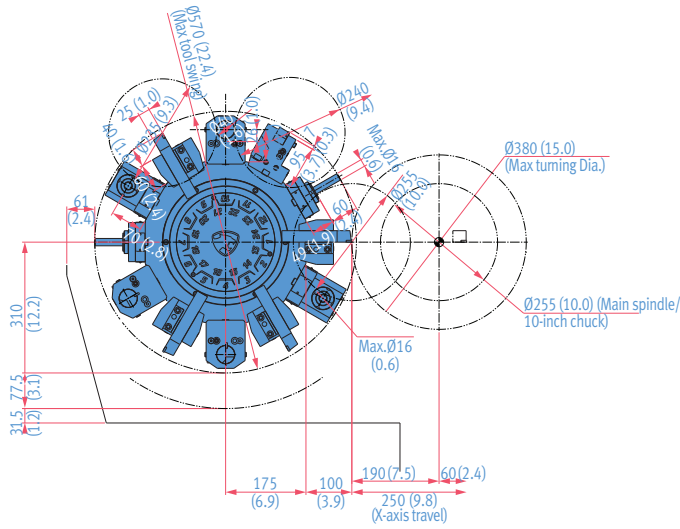


# TOOL INTERFACE

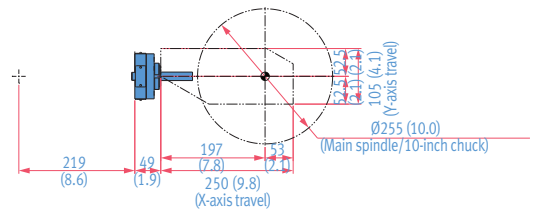
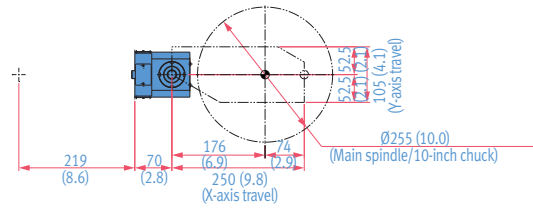
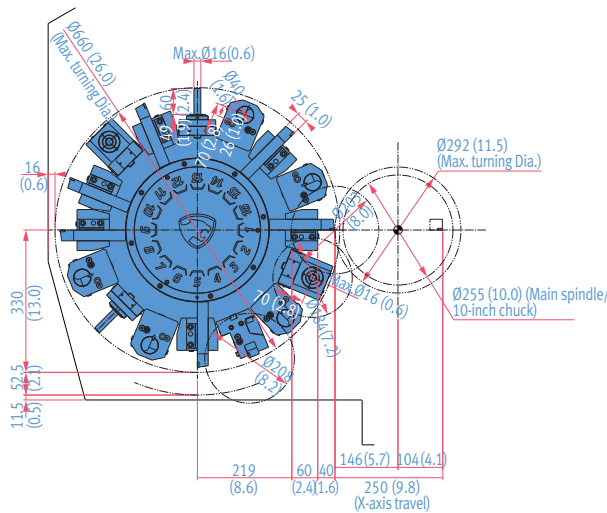
Lynx 2600Y

## 12 station

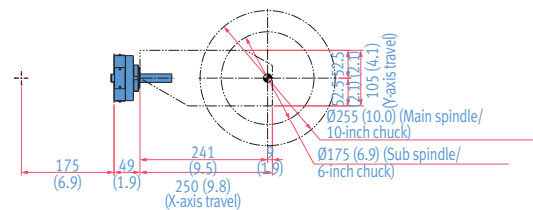
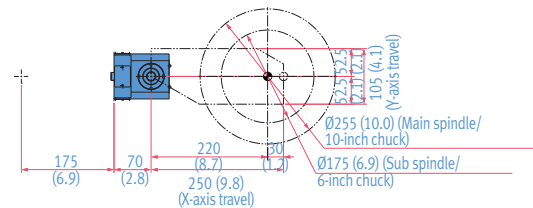
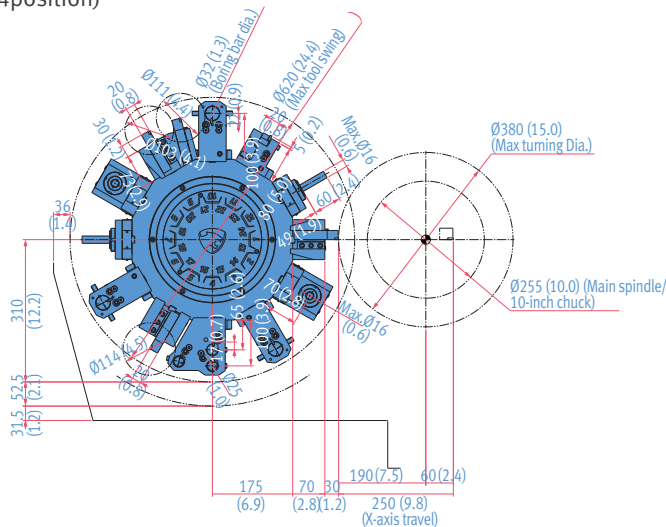
Unit : mm (inch)



## 16 station



## 12 station (24position)



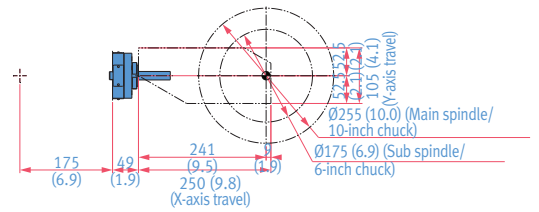
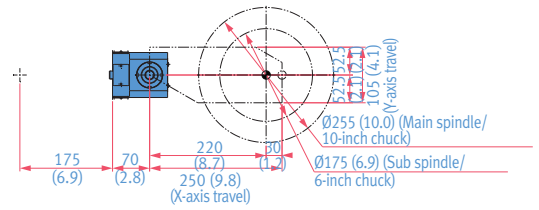
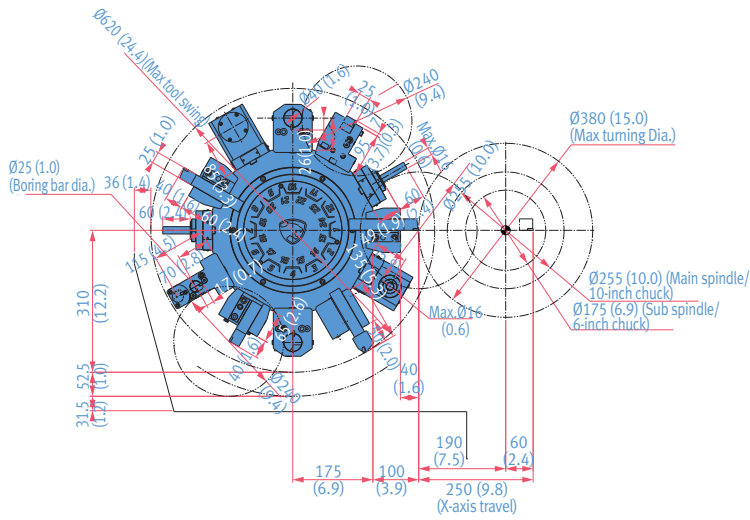


# TOOL INTERFACE

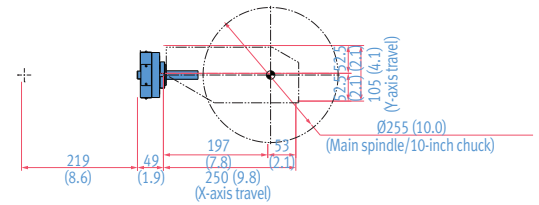
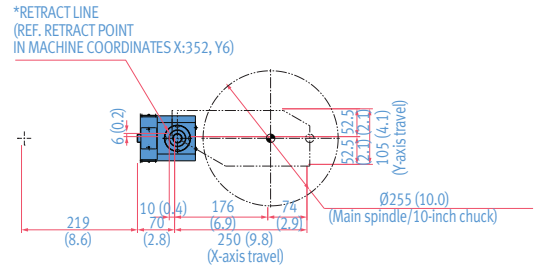
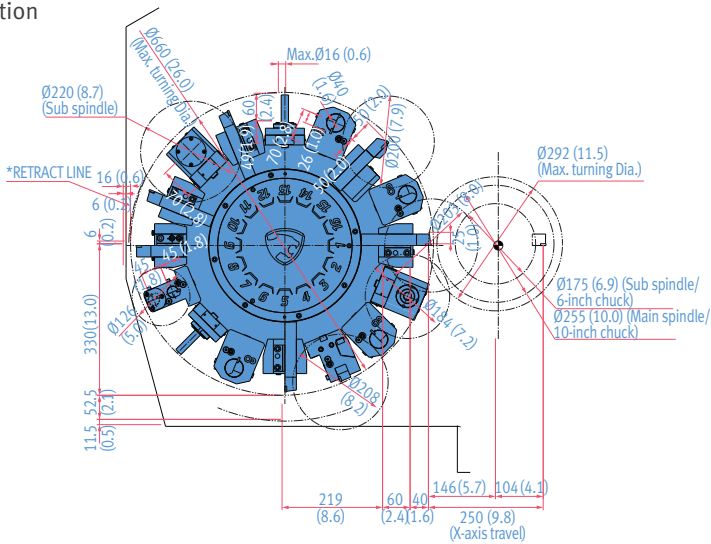
Lynx 2600SY

## 12 station

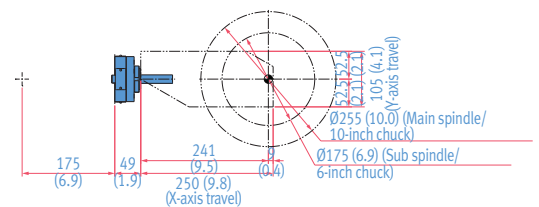
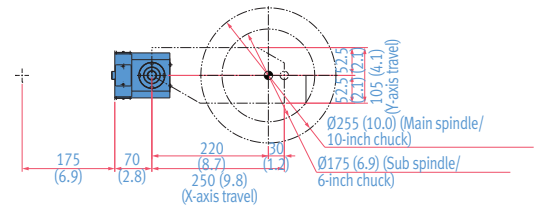
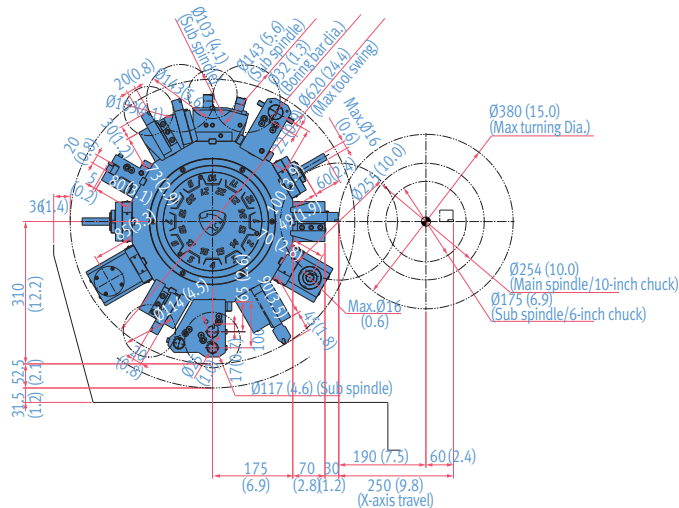
Unit : mm(inch)



## 16 station



## 12 station (24position)

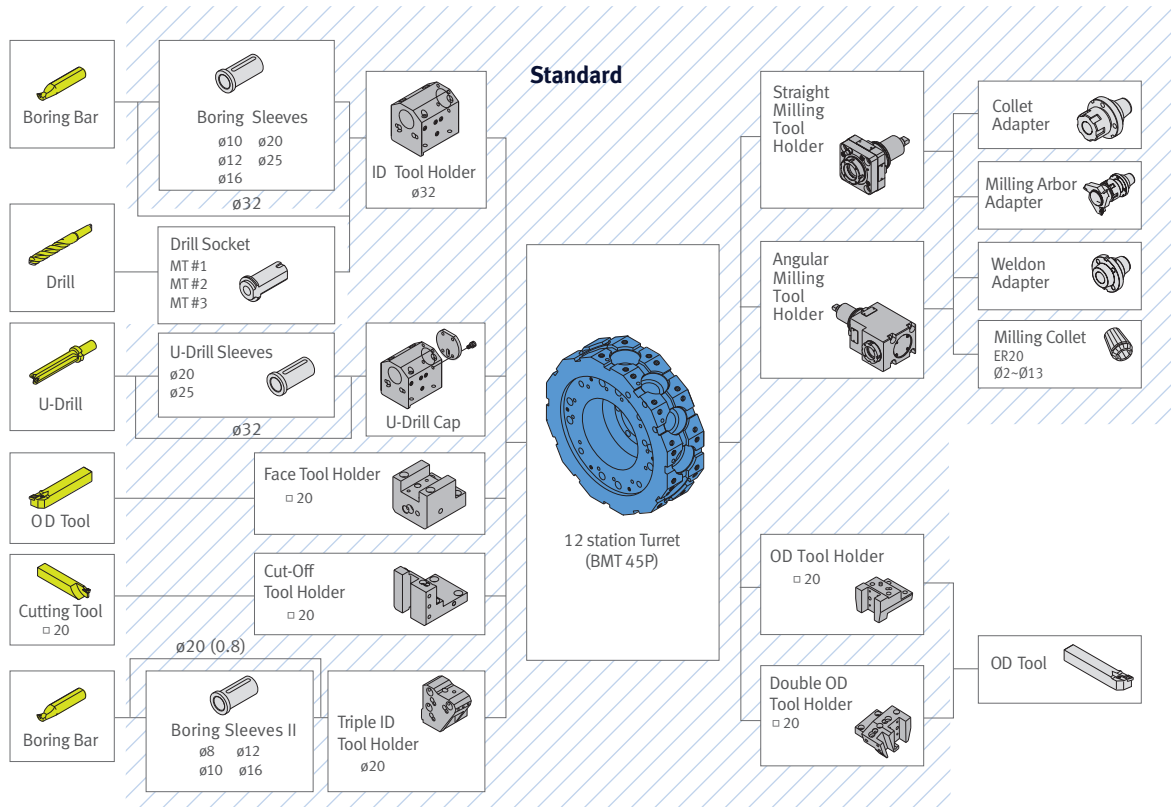


# TOOLING SYSTEM

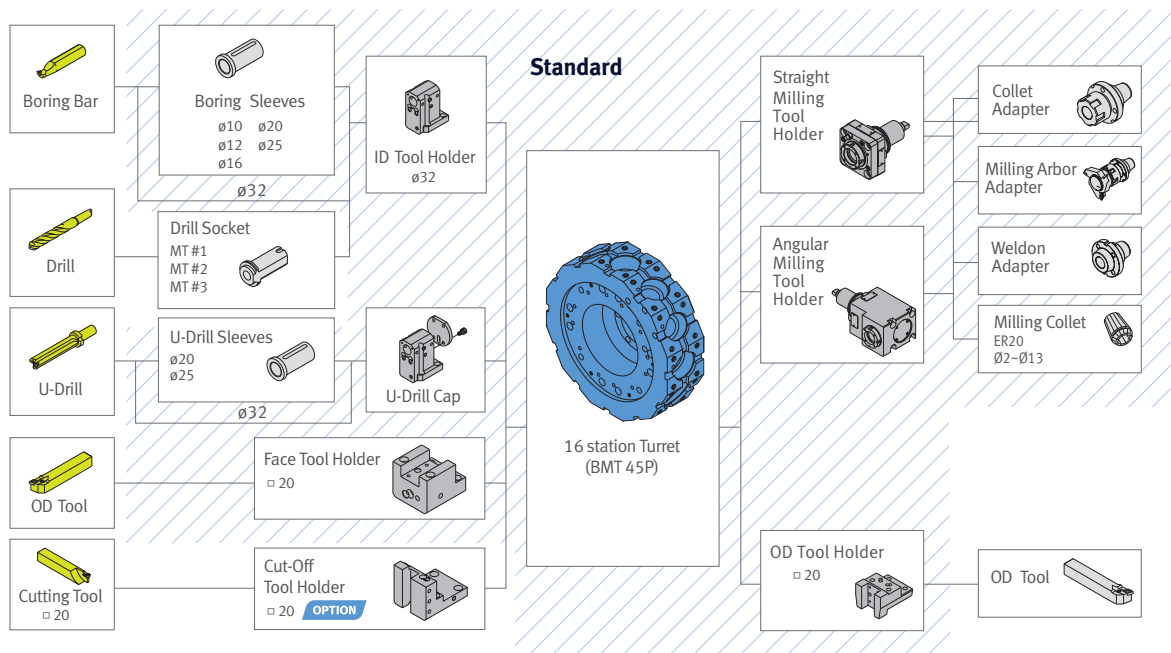
Lynx 2100LY

12 station

Unit : mm (inch)



16 station

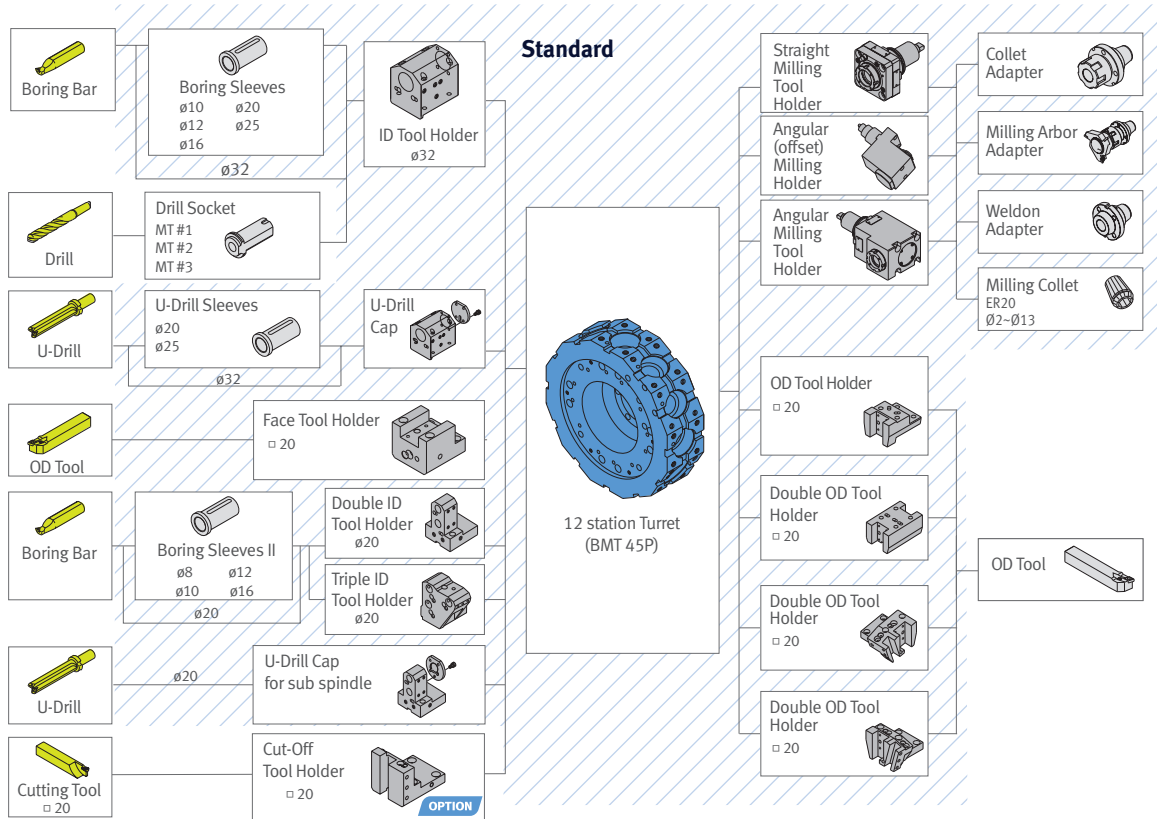


# TOOLING SYSTEM

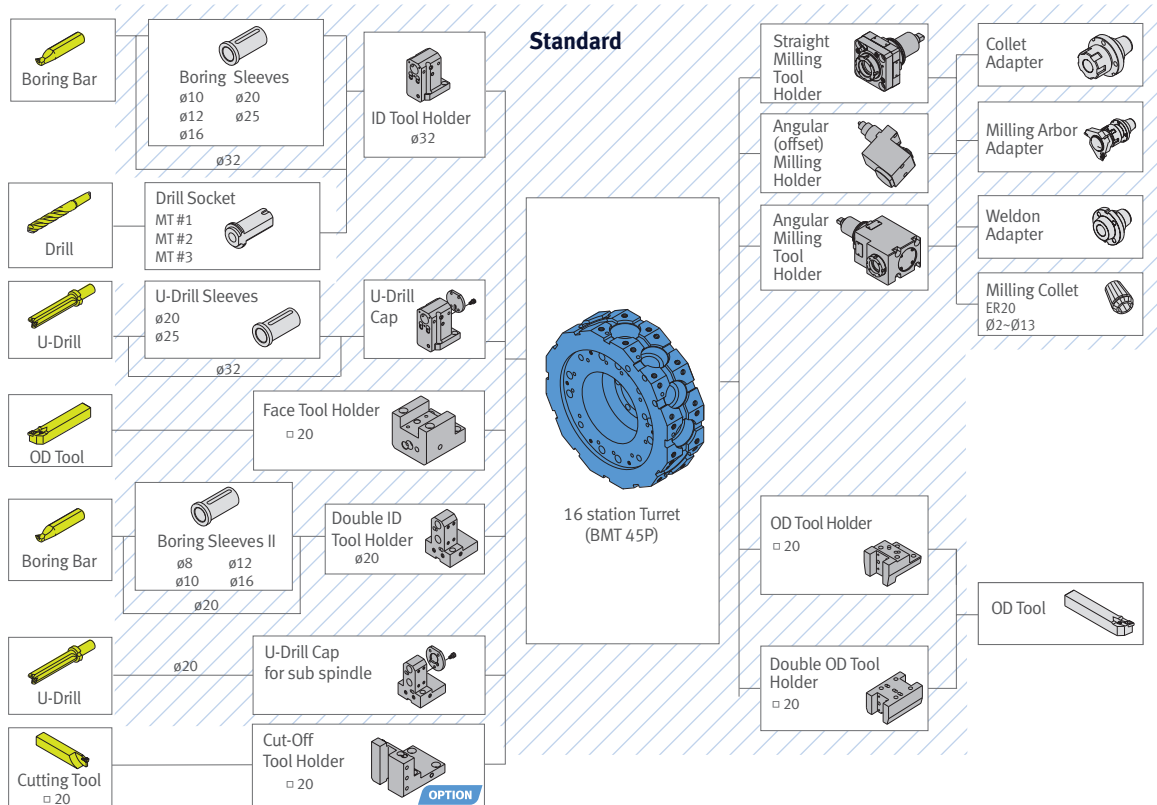
Lynx 2100LSY

## 12 station

Unit : mm (inch)



## 16 station

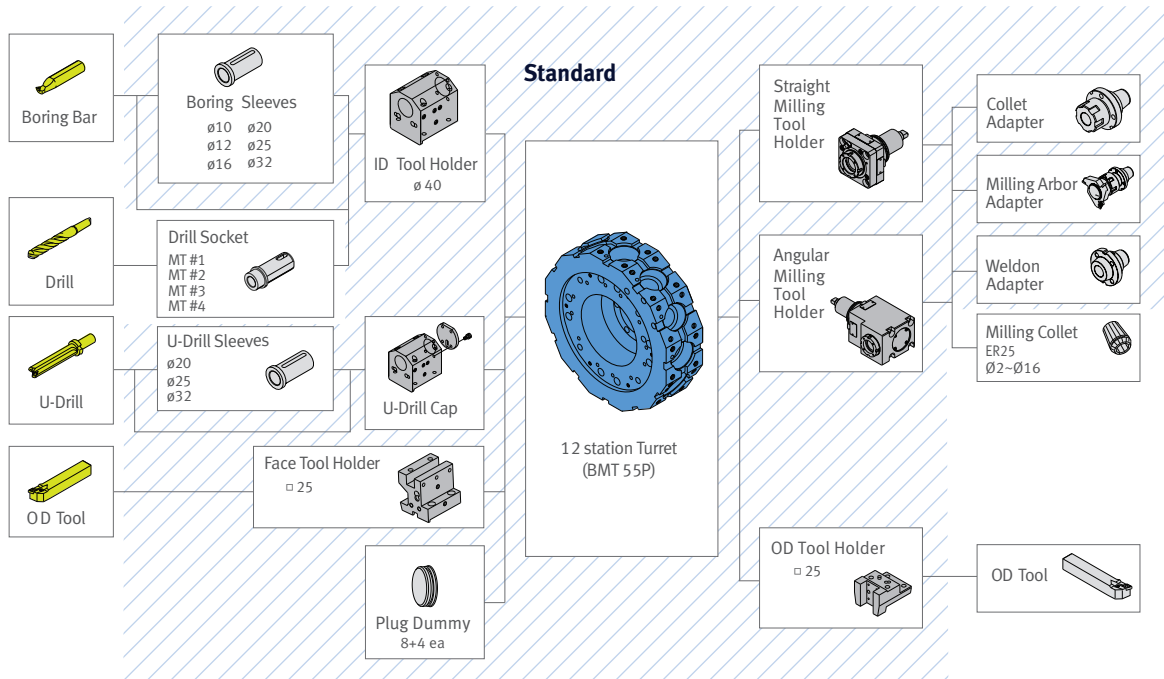


# TOOLING SYSTEM

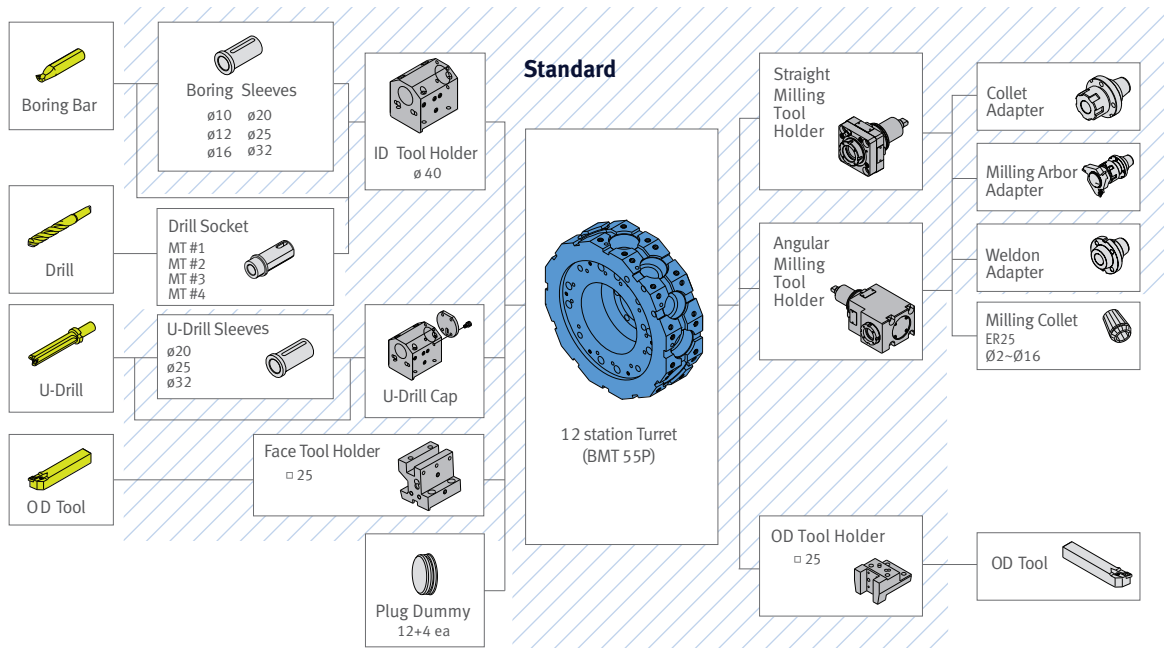
Lynx 2600Y

12 station

Unit : mm(inch)



16 station



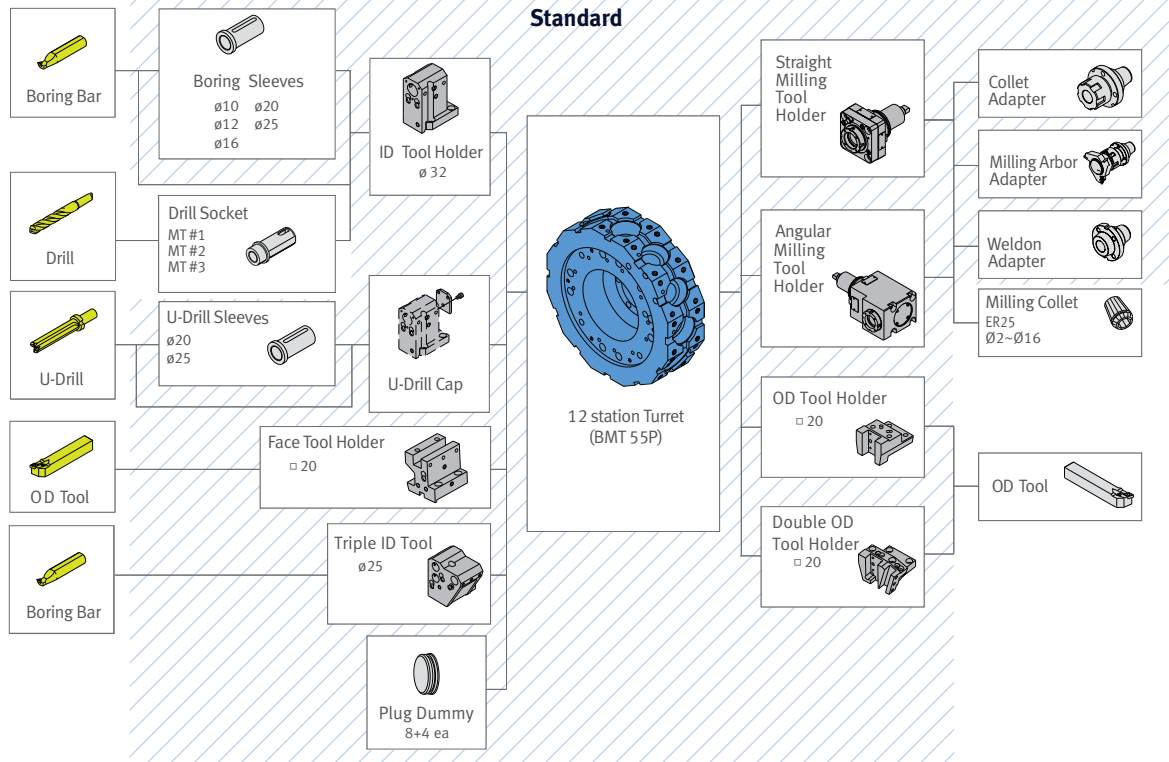


# TOOLING SYSTEM

## Lynx 2600Y

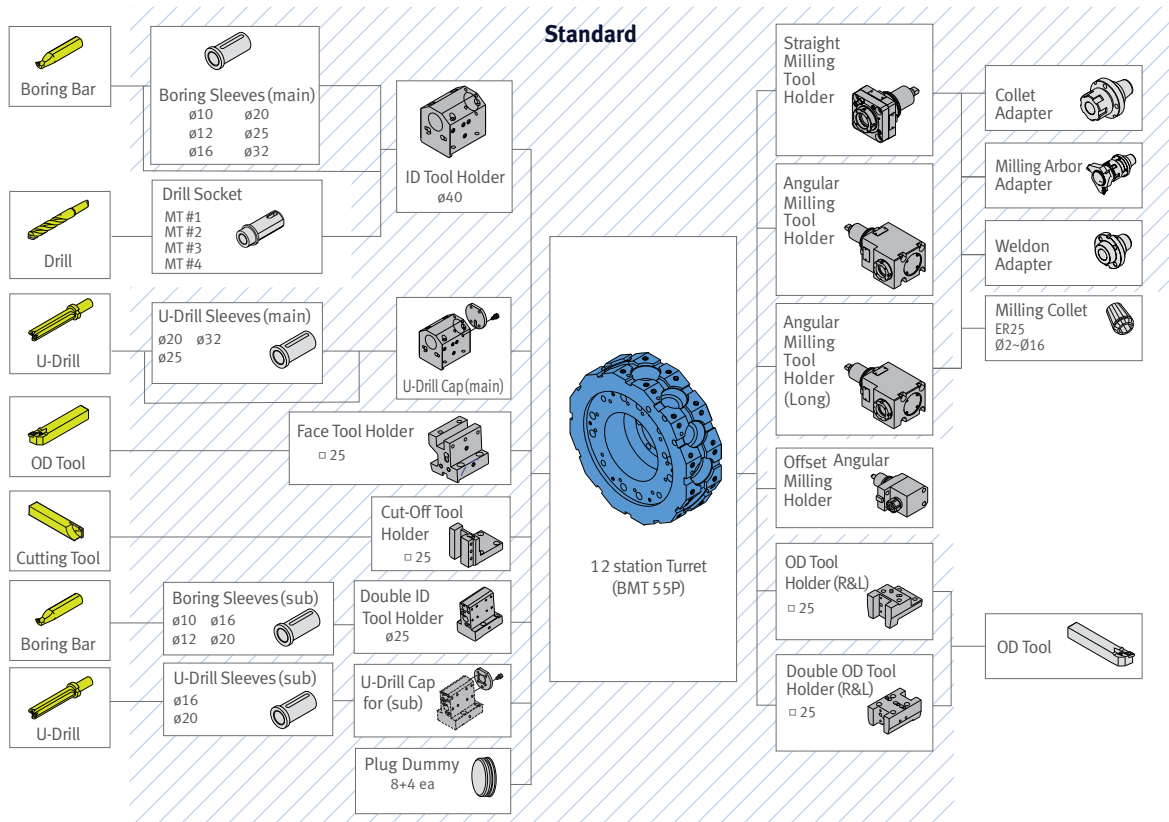
24 station

Unit : mm(inch)



## Lynx 2600SY

12 station

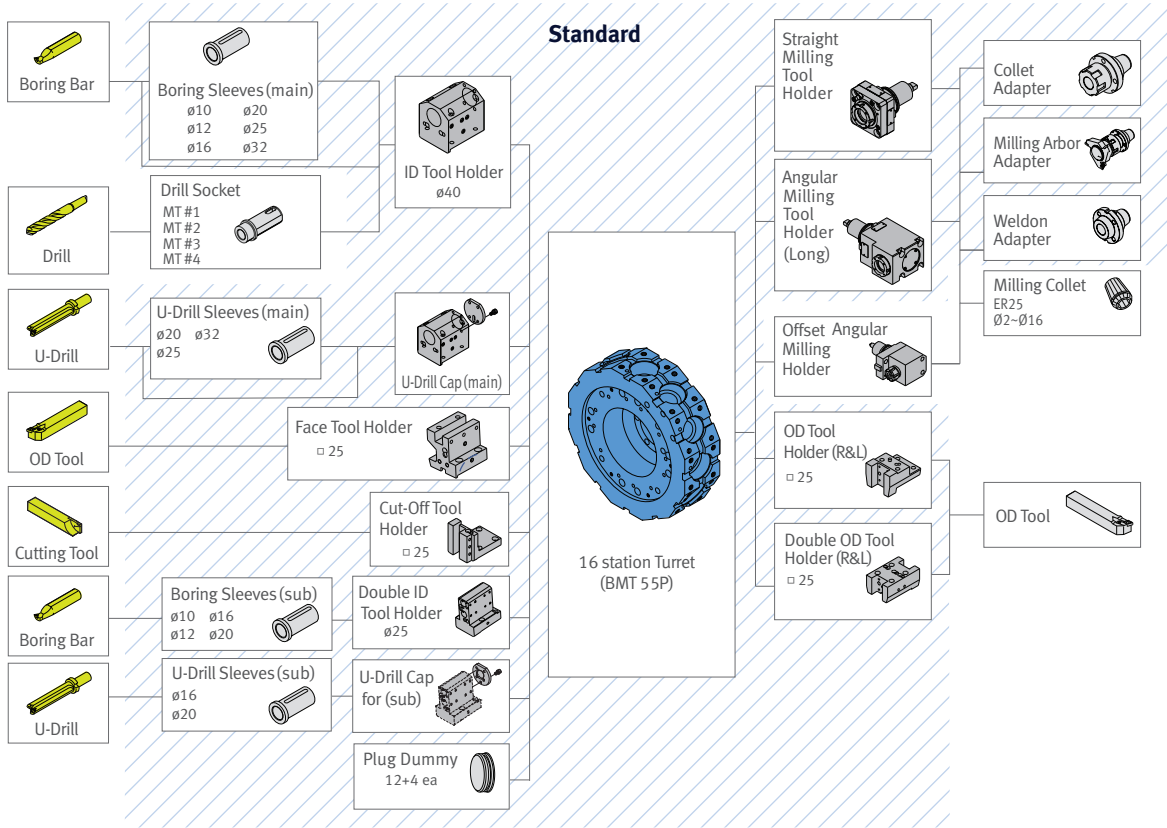


# TOOLING SYSTEM

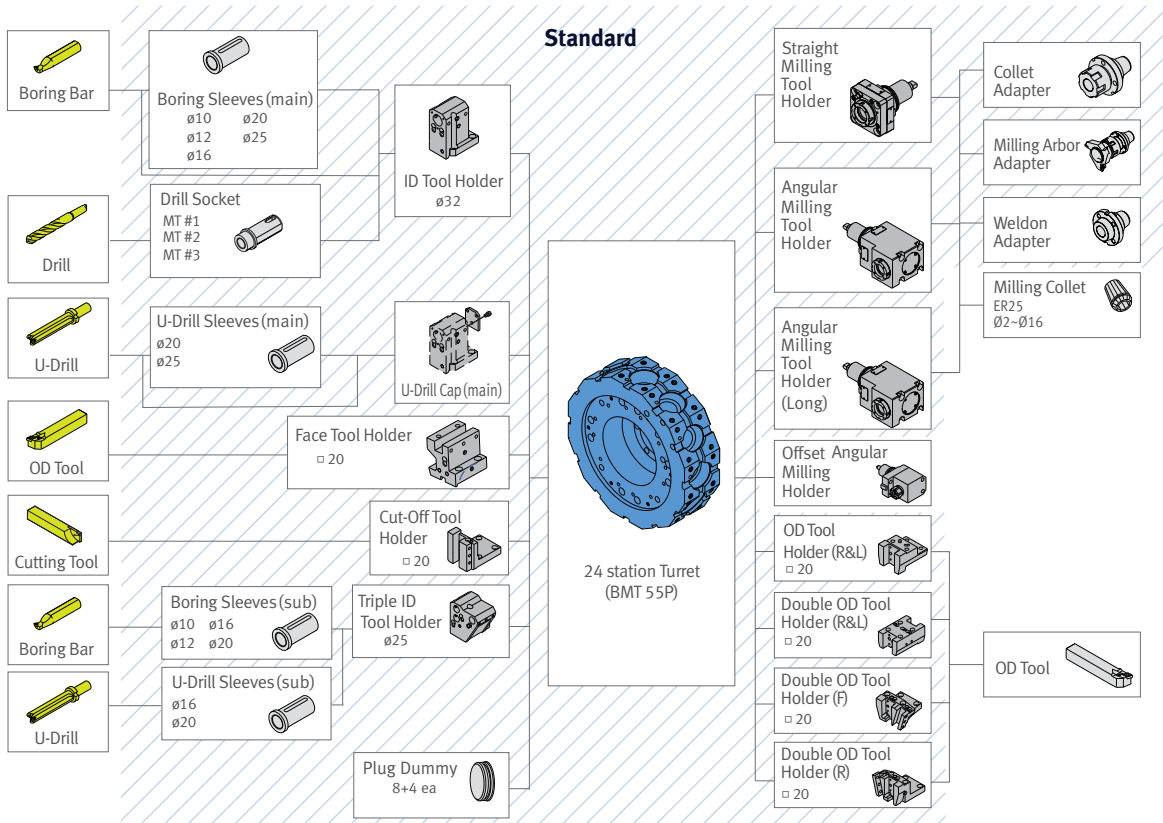
Lynx 2600SY

16 station

Unit : mm(inch)



24 station



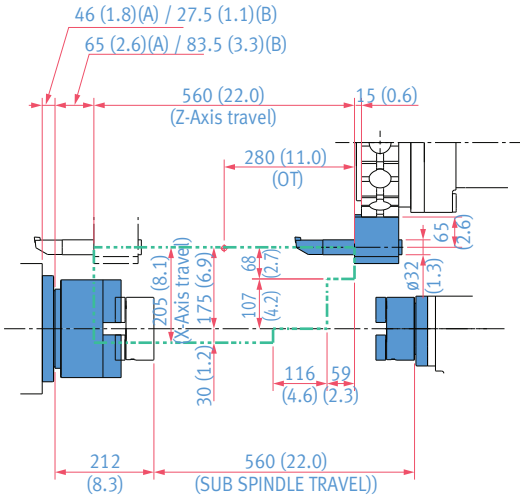
# WORKING RANGE

**Lynx** 2100LSY

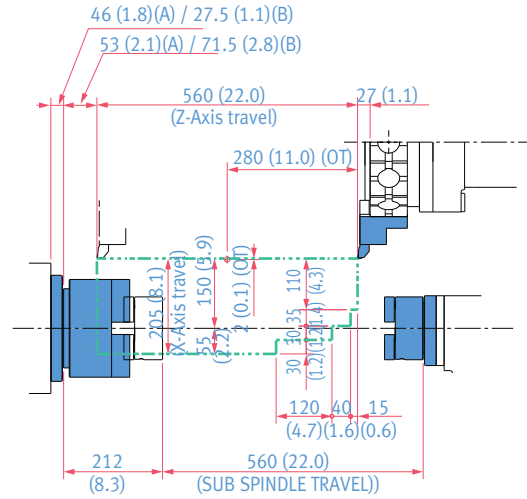
Unit : mm(inch)

(A) : 6 inch  
(B) : 8 inch

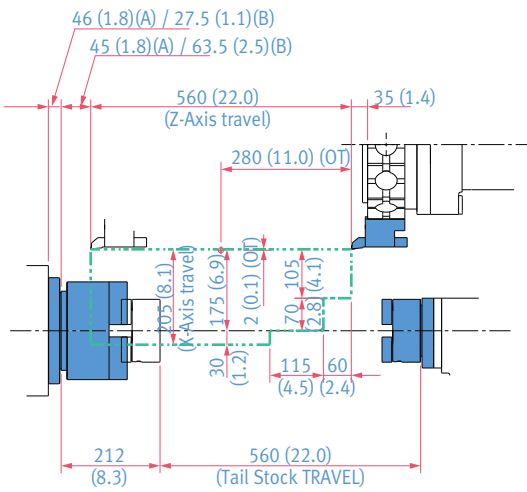
ID HOLDER



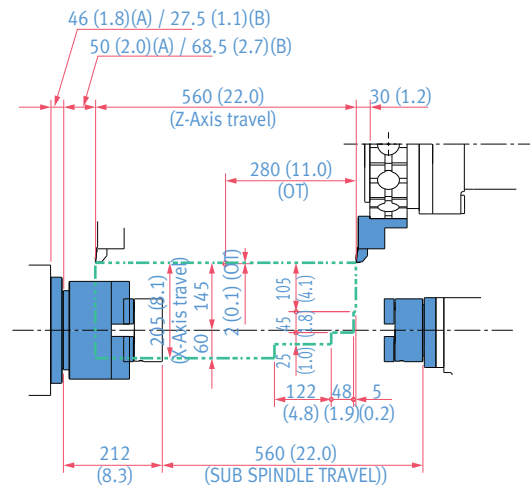
OD HOLDER



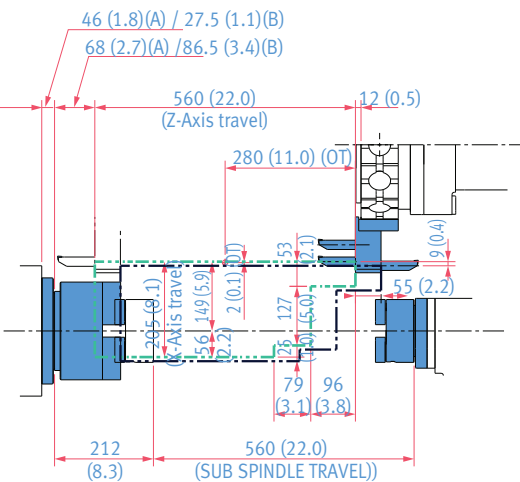
FACE TOOL HOLDER



DOUBLE OD HOLDER



TRIPLE ID HOLDER



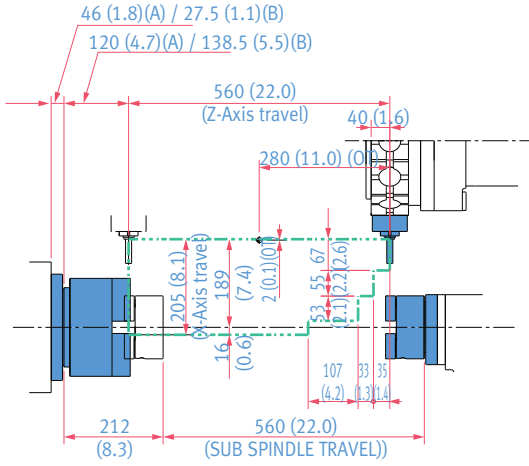
# WORKING RANGE

Lynx 2100LSY

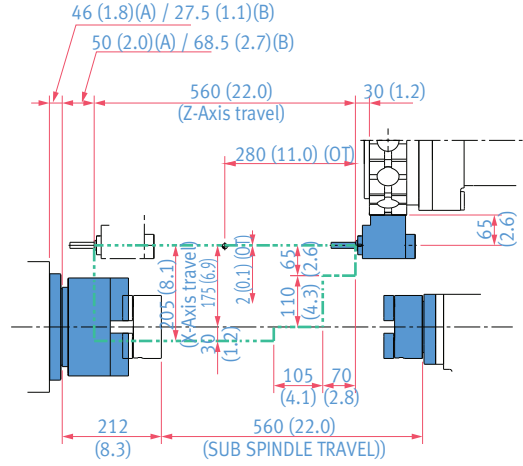
Unit : mm(inch)

(A) : 6 inch  
(B) : 8 inch

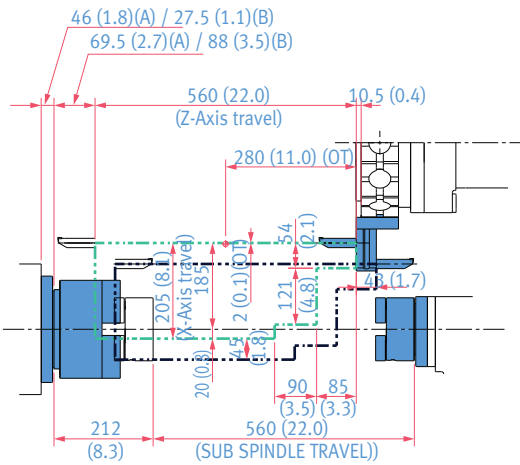
ID HOLDER



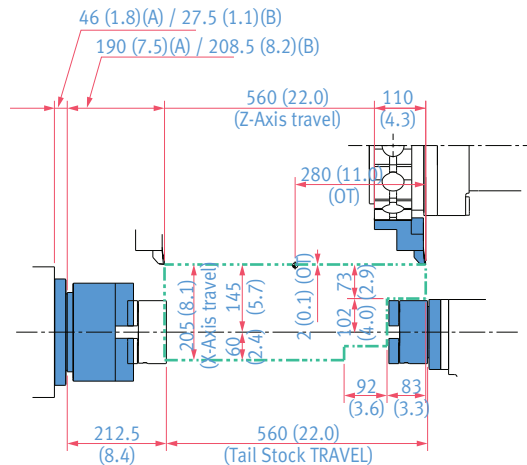
OD HOLDER



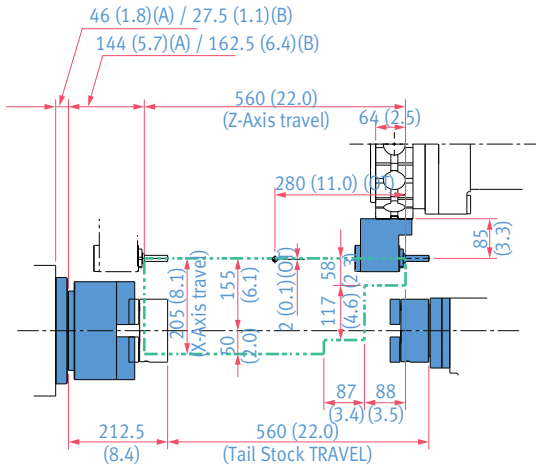
FACE TOOL HOLDER



DOUBLE OD HOLDER



TRIPLE ID HOLDER





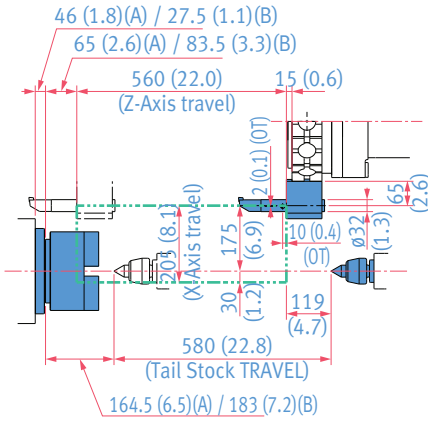
# WORKING RANGE

Lynx 2100LY

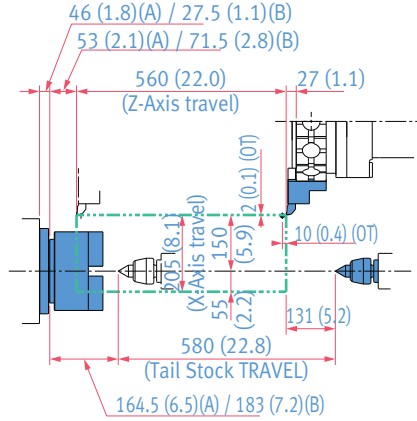
Unit : mm(inch)

(A) : 6 inch  
(B) : 8 inch

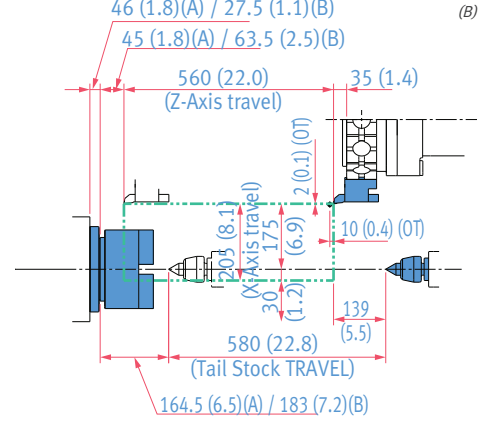
ID HOLDER



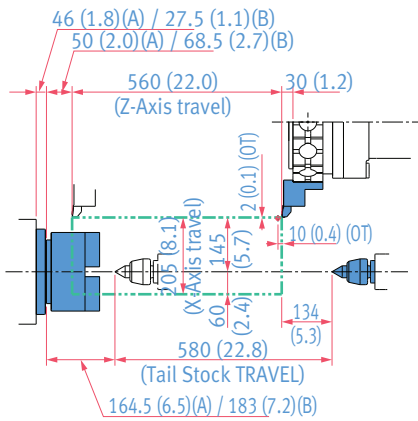
OD HOLDER



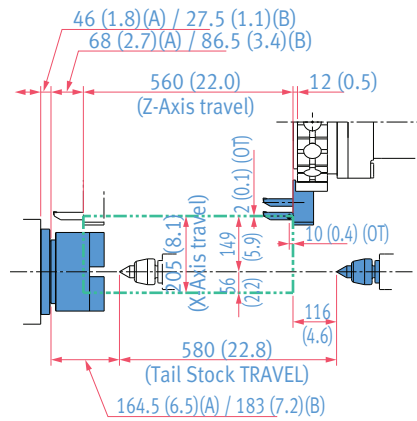
FACE TOOL HOLDER



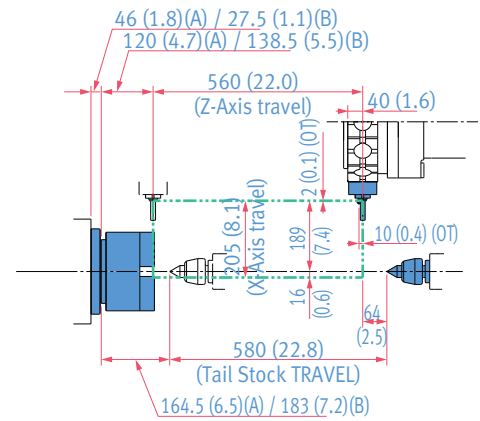
DOUBLE OD HOLDER



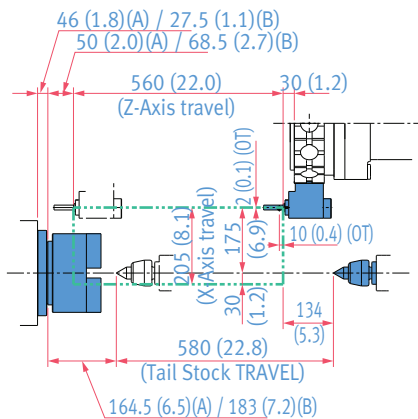
TRIPLE ID HOLDER



STRAIGHT MILLING HOLDER



ANGULAR MILLING HOLDER

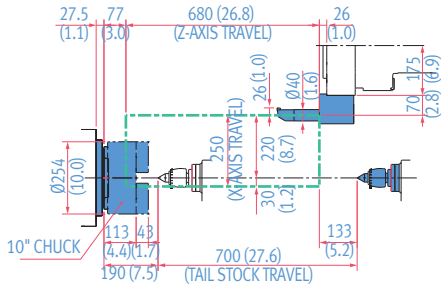


# WORKING RANGE

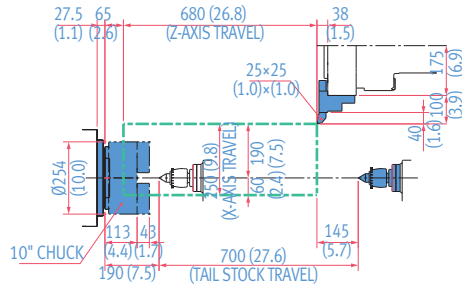
## Lynx 2600Y\_12 station

Unit : mm (inch)

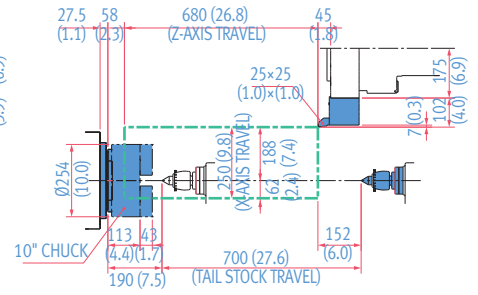
ID HOLDER



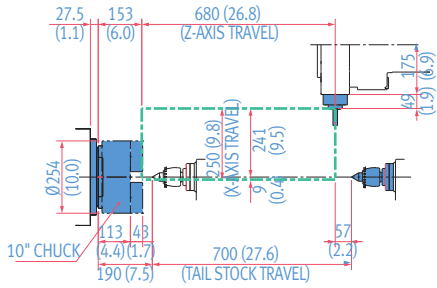
OD HOLDER



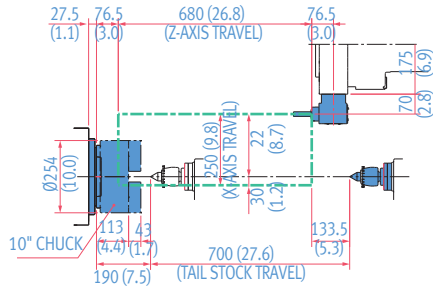
FACE HOLDER



STRAIGHT MILLING HOLDER

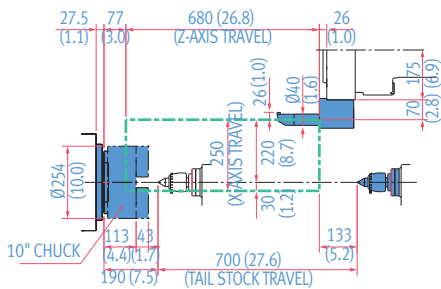


ANGULAR MILLING HOLDER (MAIN)

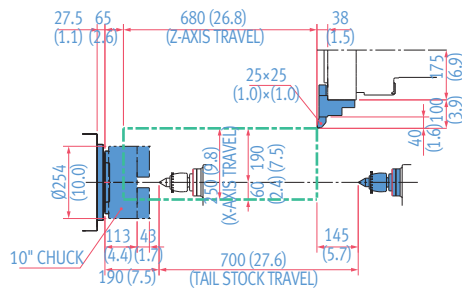


## Lynx 2600Y\_16 station

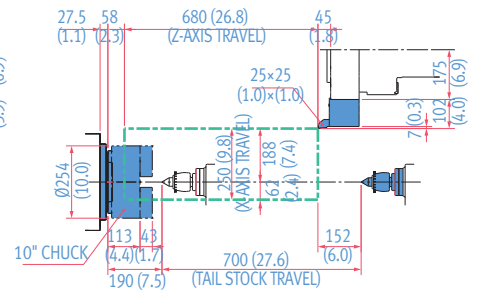
ID HOLDER



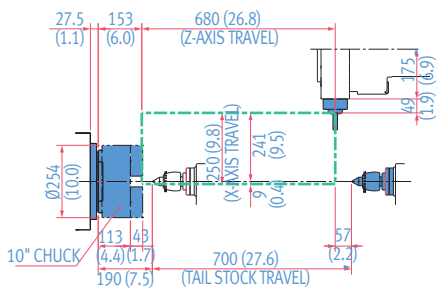
OD HOLDER



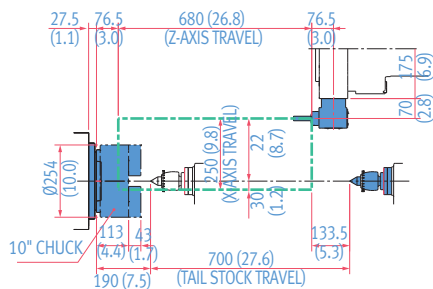
FACE HOLDER



STRAIGHT MILLING HOLDER



ANGULAR MILLING HOLDER (MAIN)

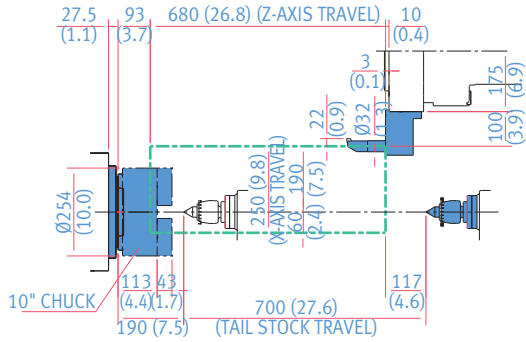


# WORKING RANGE

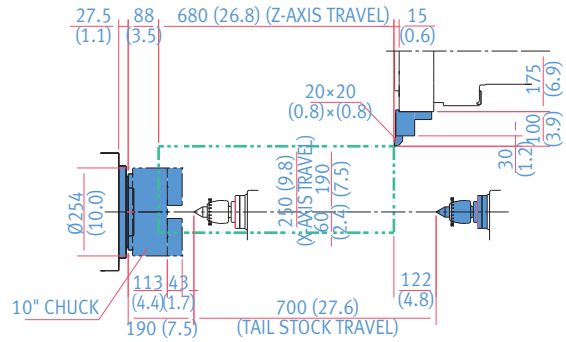
LYNX 2600Y\_24st. Indexing

Unit : mm(inch)

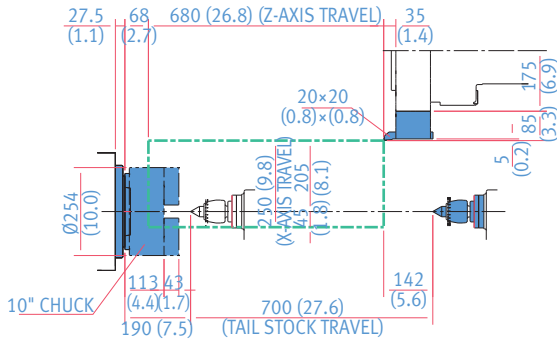
ID HOLDER



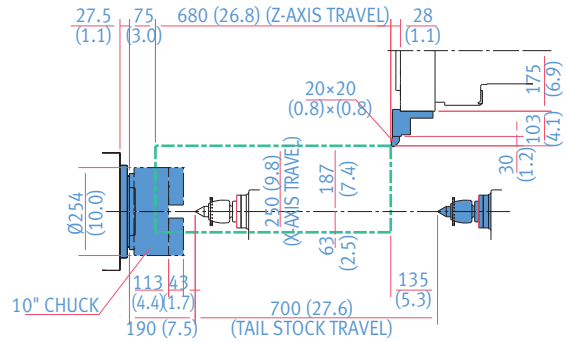
OD HOLDER



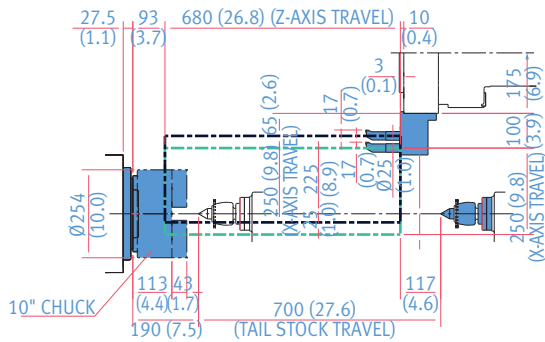
FACE HOLDER



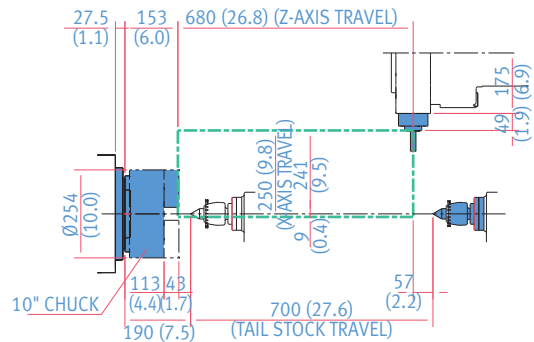
DOUBLE OD-F HOLDER



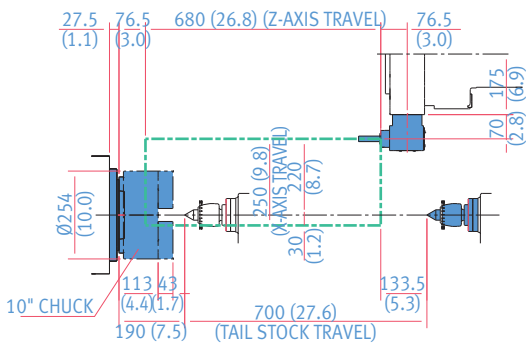
TRIPLE ID HOLDER



STRAIGHT MILLING HOLDER



ANGULAR MILLING HOLDER (MAIN)

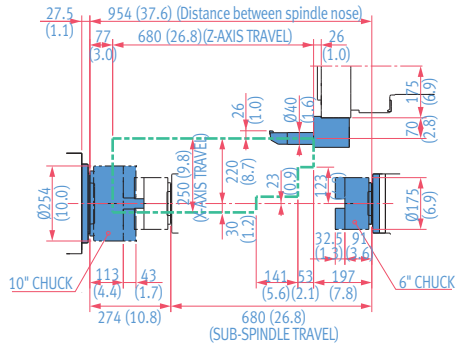


# WORKING RANGE

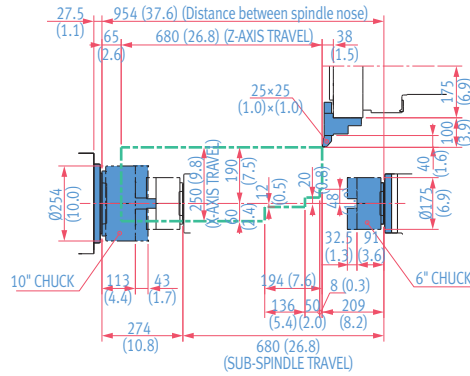
LYNX 2600SY\_12 station

Unit : mm (inch)

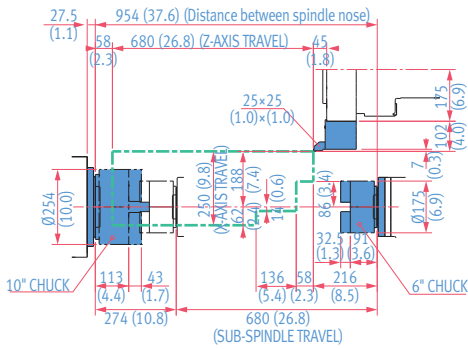
ID HOLDER



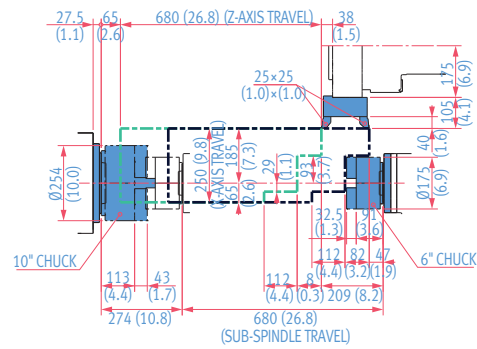
OD HOLDER



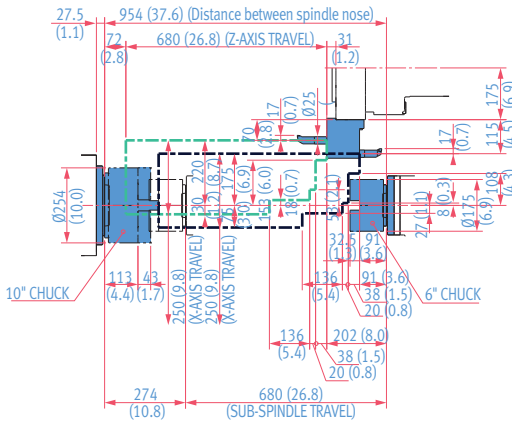
FACE HOLDER



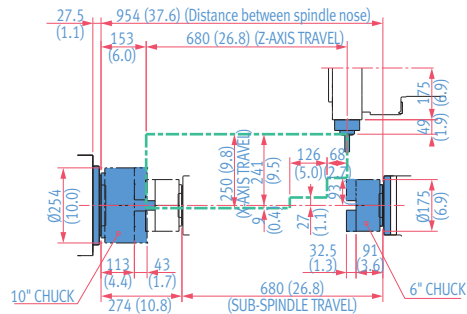
DOUBLE OD-B HOLDER



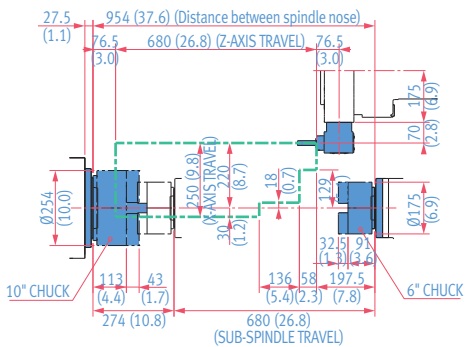
DOUBLE ID HOLDER



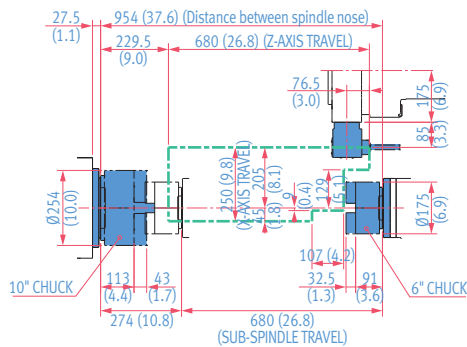
STRAIGHT MILLING HOLDER



ANGULAR MILLING HOLDER (MAIN)



ANGULAR MILLING HOLDER (SUB)



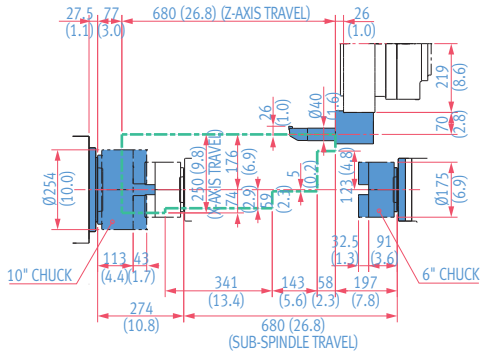


# WORKING RANGE

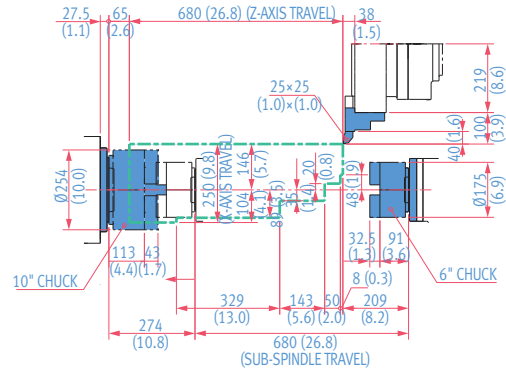
LYNX 2600SY\_16 station

Unit : mm (inch)

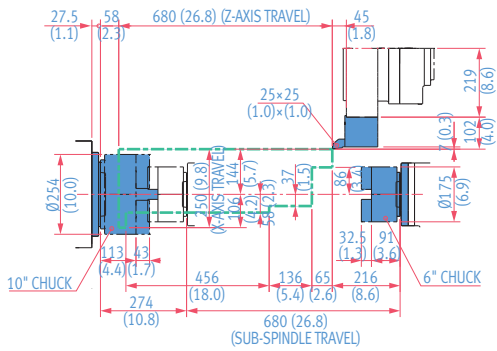
ID HOLDER



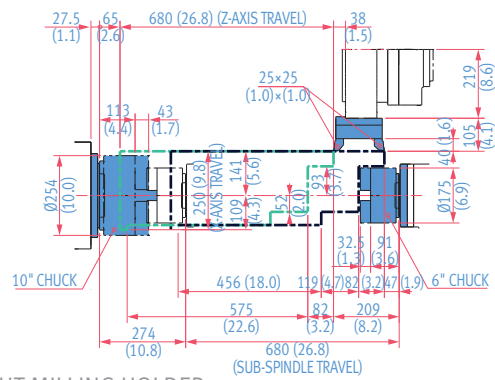
OD HOLDER



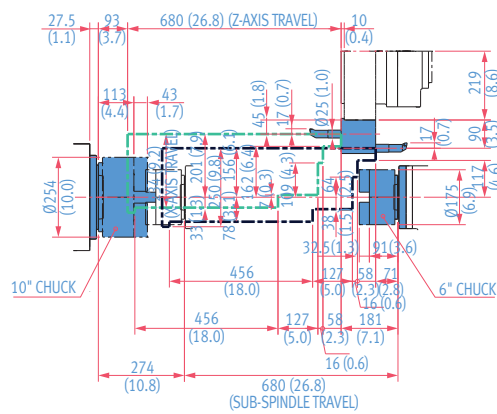
FACE HOLDER



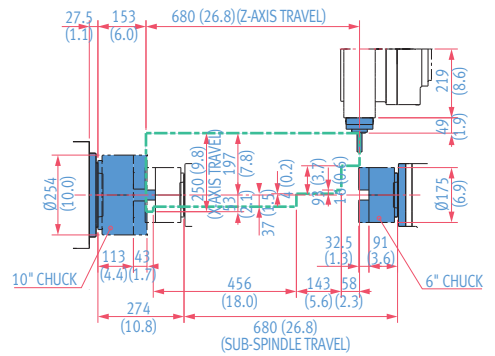
DOUBLE OD-B HOLDER



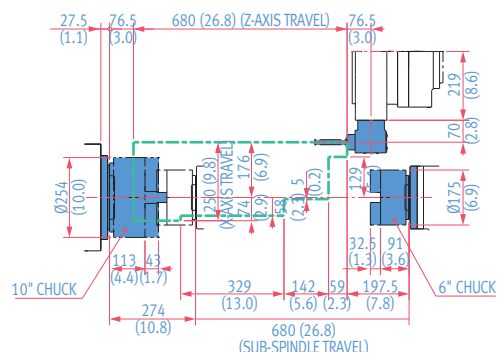
DOUBLE ID HOLDER



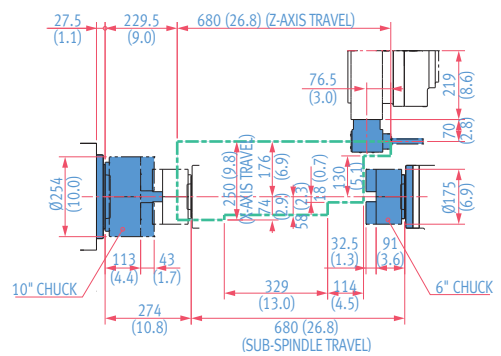
STRAIGHT MILLING HOLDER



ANGULAR MILLING HOLDER (MAIN)



ANGULAR MILLING HOLDER (SUB)

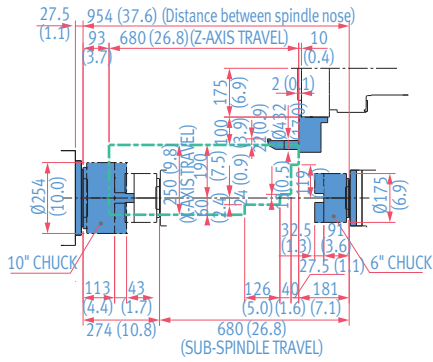


# WORKING RANGE

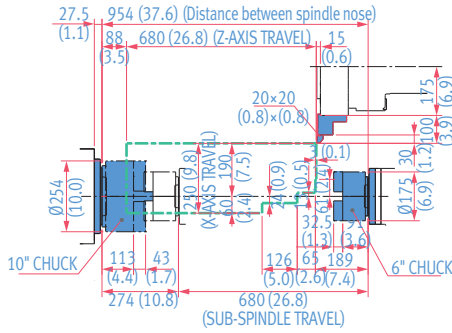
LYNX 2600SY\_24st. Indexing

Unit : mm (inch)

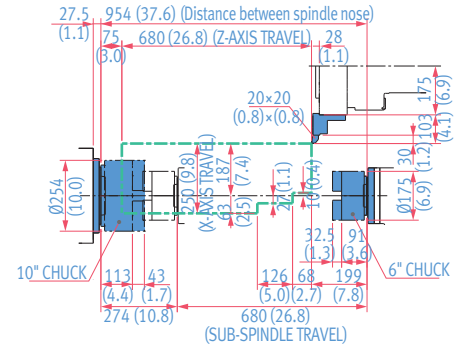
ID HOLDER



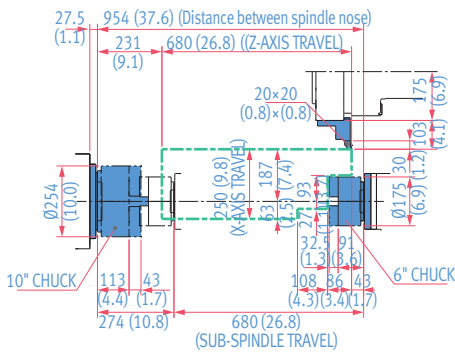
OD HOLDER



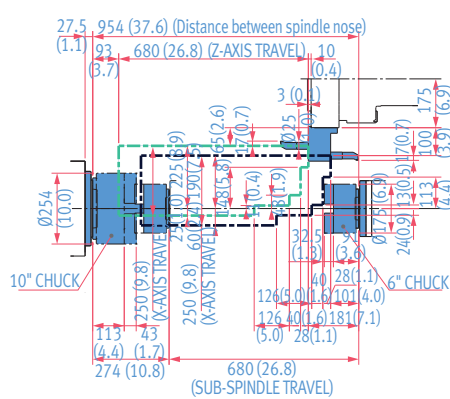
DOUBLE OD-F HOLDER



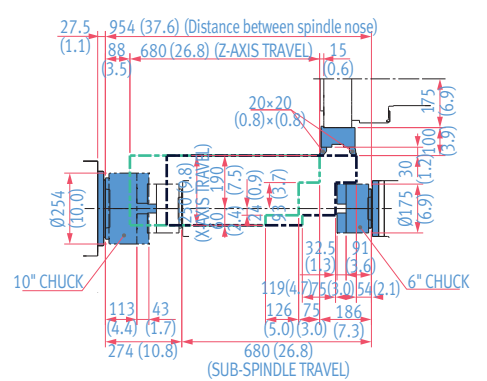
DOUBLE OD-R HOLDER



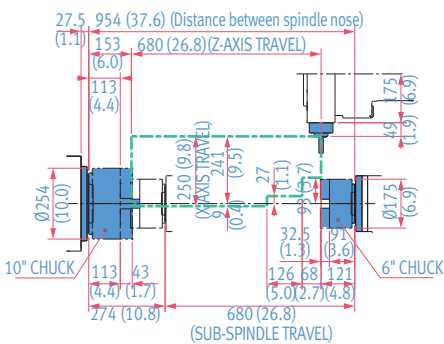
TRIPLE ID HOLDER



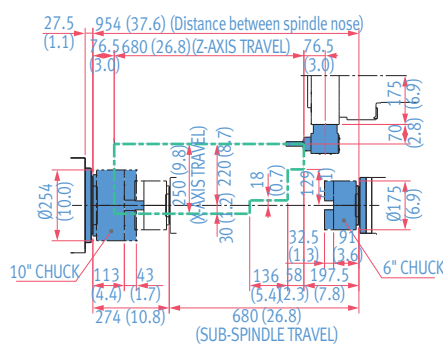
DOUBLE OD-B HOLDER



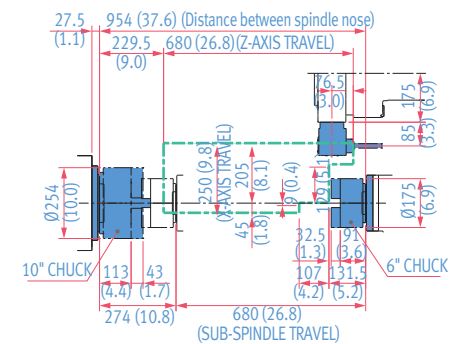
STRAIGHT MILLING HOLDER



ANGULAR MILLING HOLDER (MAIN)



ANGULAR MILLING HOLDER (SUB)



# MACHINE SPECIFICATIONS

LYNX 2100LY · 2600Y series

Description		Unit	Lynx 2100LYA	Lynx 2100LYB	Lynx 2100LSYA	Lynx 2100LSYB	Lynx 2600Y	Lynx 2600SY	
Capacity	Swing over bed	mm (inch)	600 (23.6)				630 (24.8)		
	Swing over saddle	mm (inch)	400 (15.7)				460 (18.1)		
	Recom. Turning diameter	mm (inch)	170 (6.7)	210 (8.3)	170 (6.7)	210 (8.3)	255 (10.0)		
	Max. Turning diameter	mm (inch)	300 {236} (11.8 {9.3})				380 (15.0)		
	Max. Turning length	mm (inch)	510 (20.1)				610 (24.0)		
	Chuck size	inch	6 {8}*	8 {10}*	6 {8}*	8 {10}*	10 {12}*		
	Bar working diameter	mm (inch)	51 (2.0)	65 (2.6)	51 (2.0)	65 (2.6)	81 (3.2)		
Travels	Travel distance	X-axis	205 (8.1)				250 (9.8)		
		Y-axis	105 (±52.5) (4.1 (±2.1))				105 (±52.5) (4.1 (±2.1))		
		Z-axis	560 (22.0)				680 (26.8)		
Feedrates	Rapid Traverse Rate	X-axis	30 (1181.1)				30 (1181.1)		
		Y-axis	10 (393.7)				10 (393.7)		
		Z-axis	36 (1417.3)				30 (1181.1)		
Spindle	Max. Spindle speed	r/min	6000	4500	6000	4500	3500		
	Main spindle motor power (15min/Con.)(FANUC)	kW (Hp)	15/11 (20.1/14.8) (15min/Cont.)				18.5/15/15 (S6 25%/S6 40%/Cont.)		
	Main spindle motor power (S6-60%/Cont.)(SIEMENS)	kW (Hp)	12.6/10.5 (16.9/14.1) (S6 60%/Cont.)				**need tech. consultation		
	Max. Spindle Torque for Turning (FANUC)	N-m (ft-lbs)	127 (93.7)	169 (124.7)	127 (93.7)	169 (124.7)	403 (297.4)		
	Max. Spindle Torque for Turning (SIEMENS)	N-m (ft-lbs)	100.8 (74.4)	134.4 (99.2)	100.8 (74.4)	134.4 (99.2)	**need tech. consultation		
	Spindle nose	ASA	A2-5	A2-6	A2-5	A2-6	A2-8		
	Spindle bearing diameter (Front)	mm (inch)	90 (3.5)	110 (4.3)	90 (3.5)	110 (4.3)	130 (5.1)		
	Spindle through hole diameter	mm (inch)	61 (2.4)	76 (3.0)	61 (2.4)	76 (3.0)	91 (3.6)		
	Min. spindle Indexing angle (C-axis)	deg	0.001						
Turret	No. of tool stations	ea	12 {24positin index}* {16}*						
	OD tool size	mm (inch)	20 x 20 (0.75 x 0.75)				25 x 25 (1.0 x 1.0)		
	Max. boring bar size	mm (inch)	Ø32 (Ø1.3)				Ø40 (Ø1.6)		
	Turret Indexing time (1 station swivel)	sec	0.11				0.15		
	Max. Rotary tool speed	r/min	6000 {10000}*				5000		
	Rotary tool motor power (FANUC)	kW (Hp)	3.7 (5.0)				5.5 (7.4)		
	Rotary tool motor power (SIEMENS)	kW (Hp)	7.79 (10.4)				**need tech. consultation		
Tailstock	Tailstock travel	mm (inch)	580 (22.8)		-		700 (27.6)	-	
	Quill bore taper	MT	MT#4		-		MT#4	-	
Sub spindle	Chuck size	inch	-		5		-	6	
	Max. Spindle speed	r/min	-		6000		-	4500	
	Main spindle motor power (FANUC)	kW (Hp)	-		5.5/3.7 (7.4/5.0) (30min/Cont.)		-	7.5/5.5/5.5 (S6 25%/S6 40%/Cont.)	
	Main spindle motor power (SIEMENS)	kW (Hp)	-		8.3/7 (11.1/9.4) (S6 60%/Cont.)		-	**need tech. consultation	
	Max. Spindle Torque for Turning (FANUC)	N-m (ft-lbs)	-		46 (33.9)		-	84 (62.0)	
	Max. Spindle Torque for Turning (SIEMENS)	N-m (ft-lbs)	-		61 (45.0)		-	**need tech. consultation	
	Spindle nose	-	-		Flat Ø110		-	A2-5	
	Spindle bearing diameter (Front)	mm (inch)	-		75 (3.0)		-	90 (3.5)	
	Spindle through hole diameter	mm (inch)	-		43 (1.7)		-	61 (2.4)	
Min. spindle Indexing angle (C-axis)	deg	-		0.001		-	0.001		
Power source	Electric power supply (FANUC / SIEMENS)	kVA	27.80 / 28.11		33.66 / 37.43		28.20 / 40.71	34.24 / 50.14	
Machine Dimensions	Length	mm (inch)	2880 (113.4)				3425 (134.8)		
	Width	mm (inch)	1711 (67.4)				1920 (75.6)		
	Height	mm (inch)	1921 (75.6)				2095 (82.5)		
	Weight	kg (lb)	3850 (8487.7)	3900 (8597.9)	4150 (9149.0)	4200 (9259.3)	5750 (12676.4)	6000 (13227.5)	
CNC	NC system	DOOSAN Fanuc i Plus, SIEMENS S828D							



# WHY Y-AXIS?

---

## DOUBLE THE PRODUCTIVITY

Adding a single Y-axis to your machine allows for single-setup efficiency and a new level of accuracy. But if you add a dual Y-axis—as you can in the Lynx series—the productivity difference is so striking that you won't ever go back.



## DUAL POWER

---

The Lynx series doubles productivity with independently-operating left/right spindles and upper/lower turrets. What's more, the lower Y-axis increases productivity 20% more than having only an upper Y-axis.

## MORE VERSATILITY

---

With a Y-axis, machine shops are capable of a wide variety of multi-axis milling cycles. That means there's a greater potential for done-in-one parts.





# WHY DOOSAN?

---

The Doosan promise, MACHINE GREATNESS, has two important meanings. The first is simple: Doosan makes great machines. The second is a challenge to our end-users. With a product line that is this comprehensive, accurate and reliable, we equip our customers to machine greatness.

The big question: *Why should you choose Doosan over other options?* Here's why...



**MACHINE  
GREATNESS™**



Doosan Machine Tools

WHAT YOU MAKE AND HOW YOU MAKE IT MATTERS—SO MAKE IT GREAT WITH DOOSAN.

## UNBEATABLE MACHINES

You won't find a more comprehensive range or a better combination of value, performance and reliability anywhere else.

---

## ROBUST PRODUCT LINE

We offer an impressive range of machine models and hundreds of configurations. Whatever your machining needs and requirements, there's a Doosan for you.

## READILY AVAILABLE - ANYWHERE IN THE WORLD

Machining centers (including 5-axis machines), lathes, multi-tasking turning centers and mill-turn machines, and horizontal borers with best-in-class specifications are all available...ready to install.

---

## EXPERT SERVICE

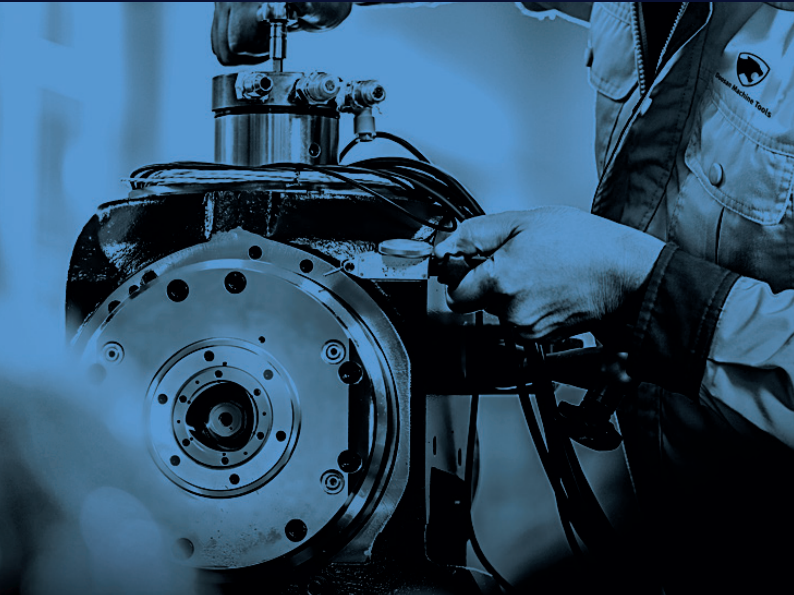
Our dedicated, experienced and knowledgeable team is totally committed to improving your productivity, growth and success.



# CUSTOMER SUPPORT AND SERVICES

We're there for you whenever you need us.

We help our customers operate at maximum efficiency by providing them with a range of tried, tested and trusted services - from pre-sales consultancy to post-sales support.

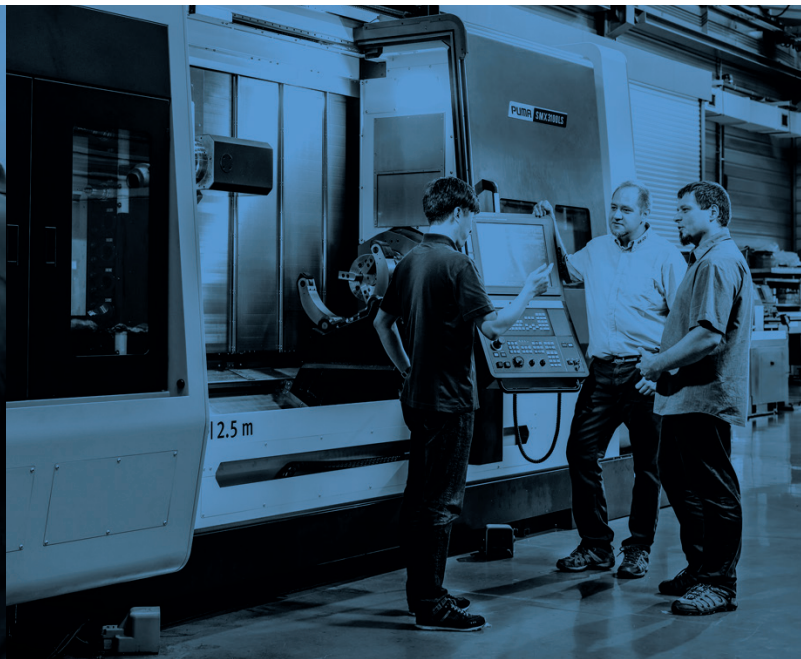


## FIELD SERVICES

- On-site service
- Machine installation and testing
- Scheduled preventive maintenance
- Machine repair service

## PARTS SUPPLY

- Supplying a wide range of original Doosan spare parts
- Parts repair service



## TRAINING

- Programming, machine setup and operation
- Electrical and mechanical maintenance
- Applications engineering

## TECHNICAL SUPPORT

- Supports machining methods and technology
- Responds to technical queries
- Provides technical consultancy



# RESPONDING TO CUSTOMERS

## ANYTIME, ANYWHERE

### Doosan Machine Tools' Global Network

Doosan Machine Tools provides systems-based professional support services, before and after the machine tool sale, by responding quickly and efficiently to customers. By supplying spare parts, product training, field service and technical support, we provide the expert care, attention and assistance our customers expect from a market leader.



Global sales and service support network

4	Corporations
167	Dealer networks
51	Technical centers Technical center, Sales support, Service support, Parts support
200	Service posts
3	Factories





### **Head Office**

22FT Tower, 30, Sowol-ro 2-gil  
Jung-gu, Seoul, Korea, 04637

Tel +82-2-6972-0370/0350  
Fax +82-2-6972-0400

### **Doosan Machine Tools America**

19A Chapin Road, Pine Brook  
New Jersey 07058, United States

Tel: +1-973-618-2500  
Fax: +1-973-618-2501

### **Doosan Machine Tools Europe**

Emdener Strasse 24, D-41540  
Dormagen, Germany

Tel: +49-2133-5067-100  
Fax: +49-2133-5067-111

### **Doosan Machine Tools India**

No.82, Jakkuar Village  
Yelahanka Hobil, Bangalore-560064

Tel: + 91-80-2205-6900  
E-mail: [india@doosanmt.com](mailto:india@doosanmt.com)

### **Doosan Machine Tools China**

Room 101,201,301, Building 39 Xinzhuan  
Highway No.258 Songjiang District  
China Shanghai (201612)

Tel: +86 21-5445-1155  
Fax: +86 21-6405-1472

### **Sales inquiry**

[sales@doosanmt.com](mailto:sales@doosanmt.com)

\*For more details, please contact Doosan Machine Tools.

\*Specifications and information contained within this catalogue may be changed without prior notice.

\*Doosan Machine Tools Co., Ltd. is a subsidiary of MBK Partners. The trademark **DOOSAN** is used under a licensing agreement with Doosan Corporation, the registered trademark holder.