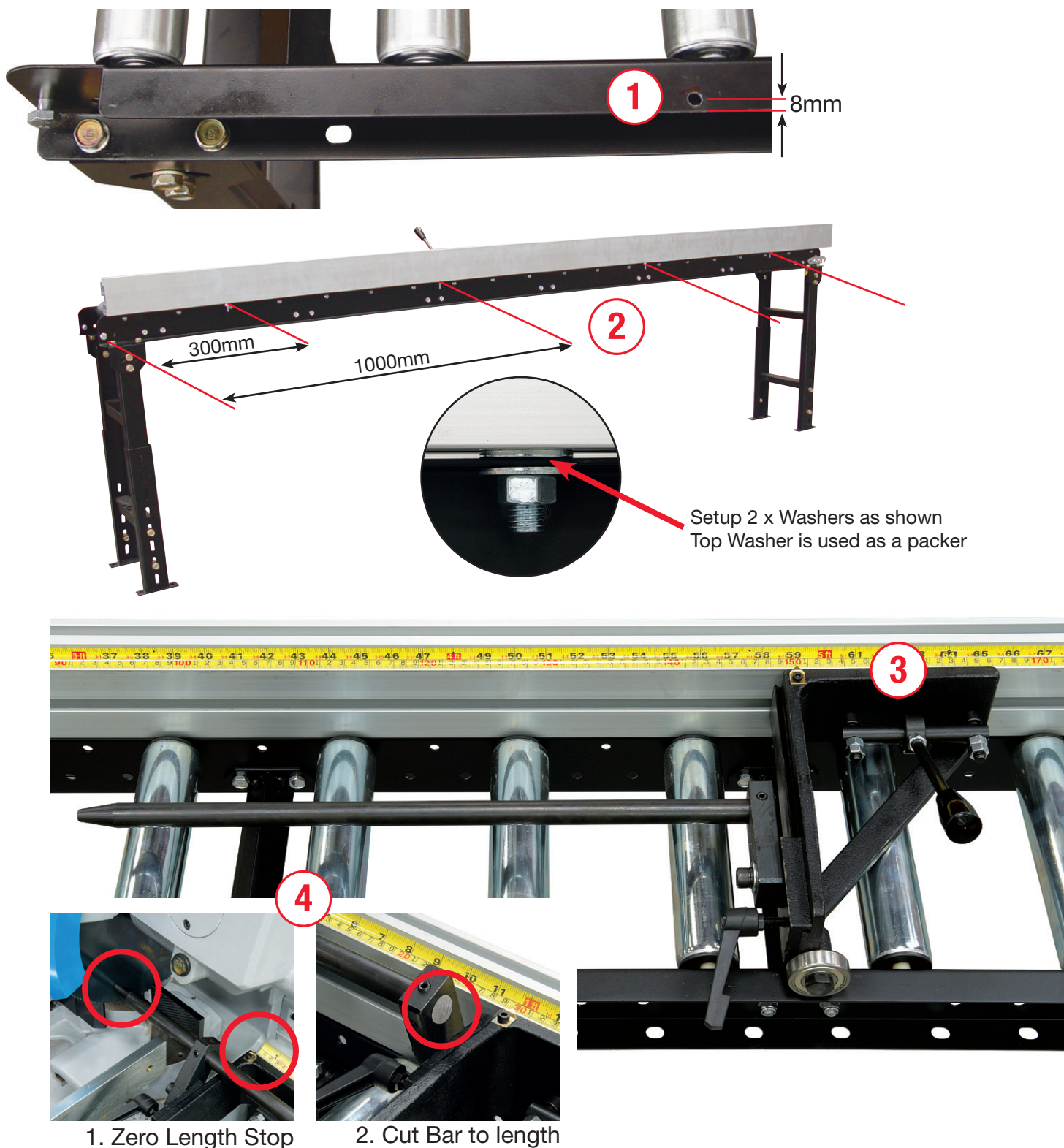


Fitting Instructions

1. Drill four Ø11mm holes
1 x 300mm & 1 x 1000mm from each end of the Conveyor 8mm in from the edge
2. Slide 4 bolts into the Aluminium length stop by feeding the head of the bolt from one end into the lower t-slot extrusion. Position the 4 bolts along the length of the extrusion to line up with the 4 drilled holes of the conveyor. Fit 1 x M10 washers (supplied) to each of the 4 bolts in between the extrusion and the rail to pack up the height. Tighten 4 nuts to the bolts to secure the Length stop to the conveyor.
3. L-Shaped bracket with bearing on end is to be mounted onto the Aluminium extrusion via the T-Nuts supplied
4. Steel rod to be mounted into clamp hole and tighten. This steel rod can be cut or modified to suit your application

NOTE: 4 x M10 x 25mm Bolts with nuts & 8 x washers are used to fit Aluminium extrusion to roller conveyor.



1. Zero Length Stop

2. Cut Bar to length