

SPARE PARTS SECTION

PIPE/TUBE NOTCHER(STEEL)

Model. PN1/2-2"

Order Code P090

Edition No : PN1/2-2"-1

Date of Issue : 12/2020

The following section covers the spare parts diagrams and lists that were current at the time this manual was originally printed. Due to continuous improvements of the machine, changes may be made at any time without notification.

HOW TO ORDER SPARE PARTS

1. Have your machines **model number, serial number & date of manufacture** on hand, these can be found on the specification plate mounted on the machine
2. A scanned copy of your parts list/diagram with required spare part/s identified.

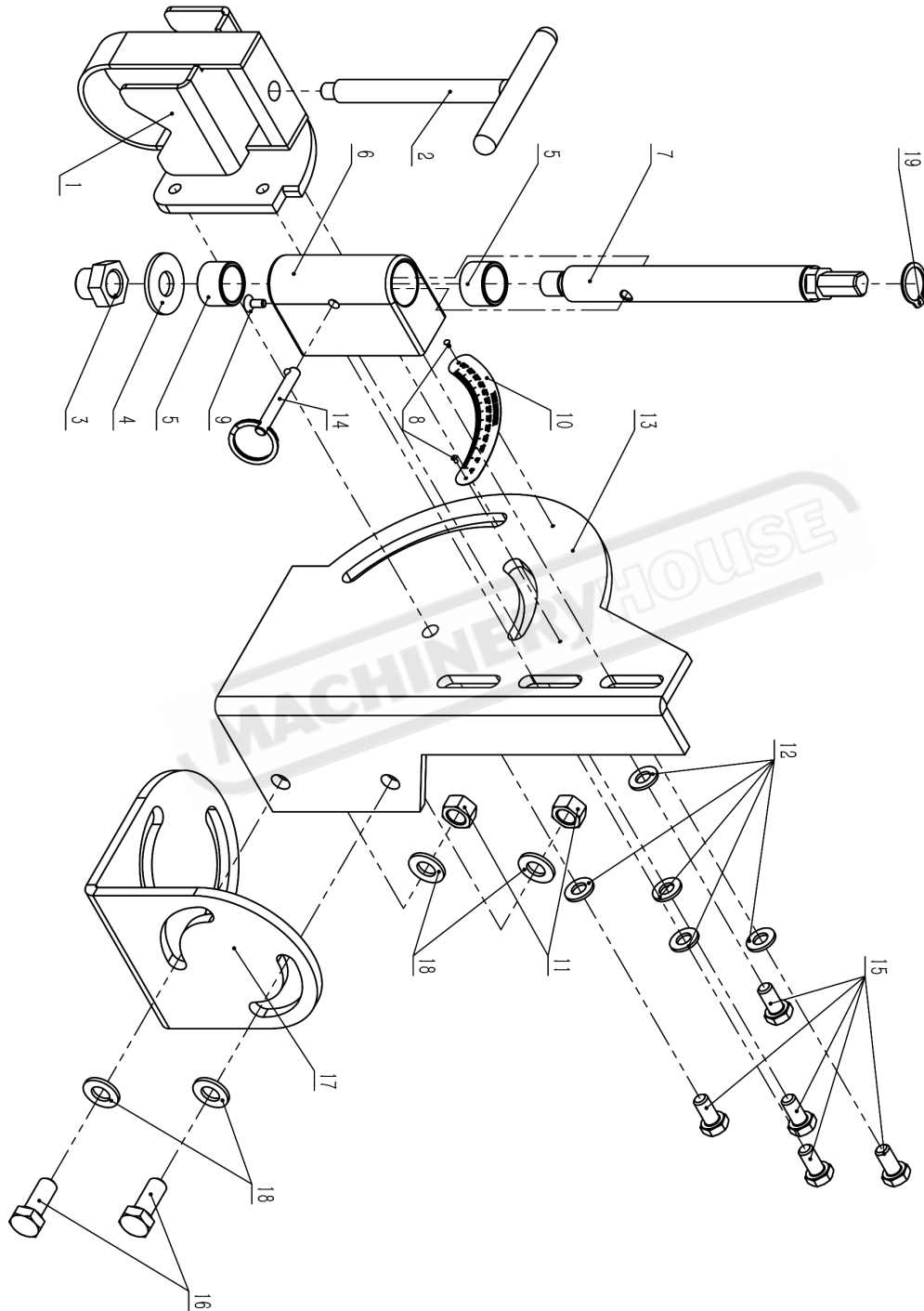
NOTE: SOME PARTS MAY ONLY BE AVAILABLE AS AN ASSEMBLY

3. Go to www.machineryhouse.com.au/contactus and fill out the inquiry form attaching a copy of scanned parts list.

PLEASE READ THE FOLLOWING CAREFULLY

The manufacturer and distributor have provided the parts diagram in this manual as a reference tool only. The manufacturer and distributor expressly state that all repairs and parts replacement must be undertaken by a qualified service technician and not by the buyer. The buyer assumes all risk and liability arising from repairs and parts carried out by the buyer. The manufacturer or the distributor reserve the right to void warranty of the product if non standard parts have been used or repairs carried out incorrectly.

SPARE PARTS DIAGRAM



OPERATION MANUAL**PARTS LIST**

ITEM	DESCRIPTION	QTY.	ITEM	DESCRIPTION	QTY.
1	CLAMP ASSEMBLY	1	11	NUT M10	2
2	HANDLE/CLAMP SCREW ASS.	1	12	WASHER M8	5
3	HOLE SAW ADAPTER	1	13	BODY	1
4	HOLE SAW ADAPTER WASHER	1	14	LOCKING PIN	1
5	BUSHING	2	15	BOLT M8 X 16	5
6	SPINDLE SUPPORT	1	16	BOLT M10 X 25	2
7	SPINDLE	1	17	AJUSTABLE ANGLE JOINT PLATE	1
8	RIVET	2	18	WASHER M10	4
9	SCREW M4 X 10	1	19	C-RING 19MM	1
10	ANGLE INDICATOR	1			

NOTE: SOME INDIVIDUAL PARTS MAY ONLY BE AVAILABLE AS AN ASSEMBLY

MACHINERYHOUSE