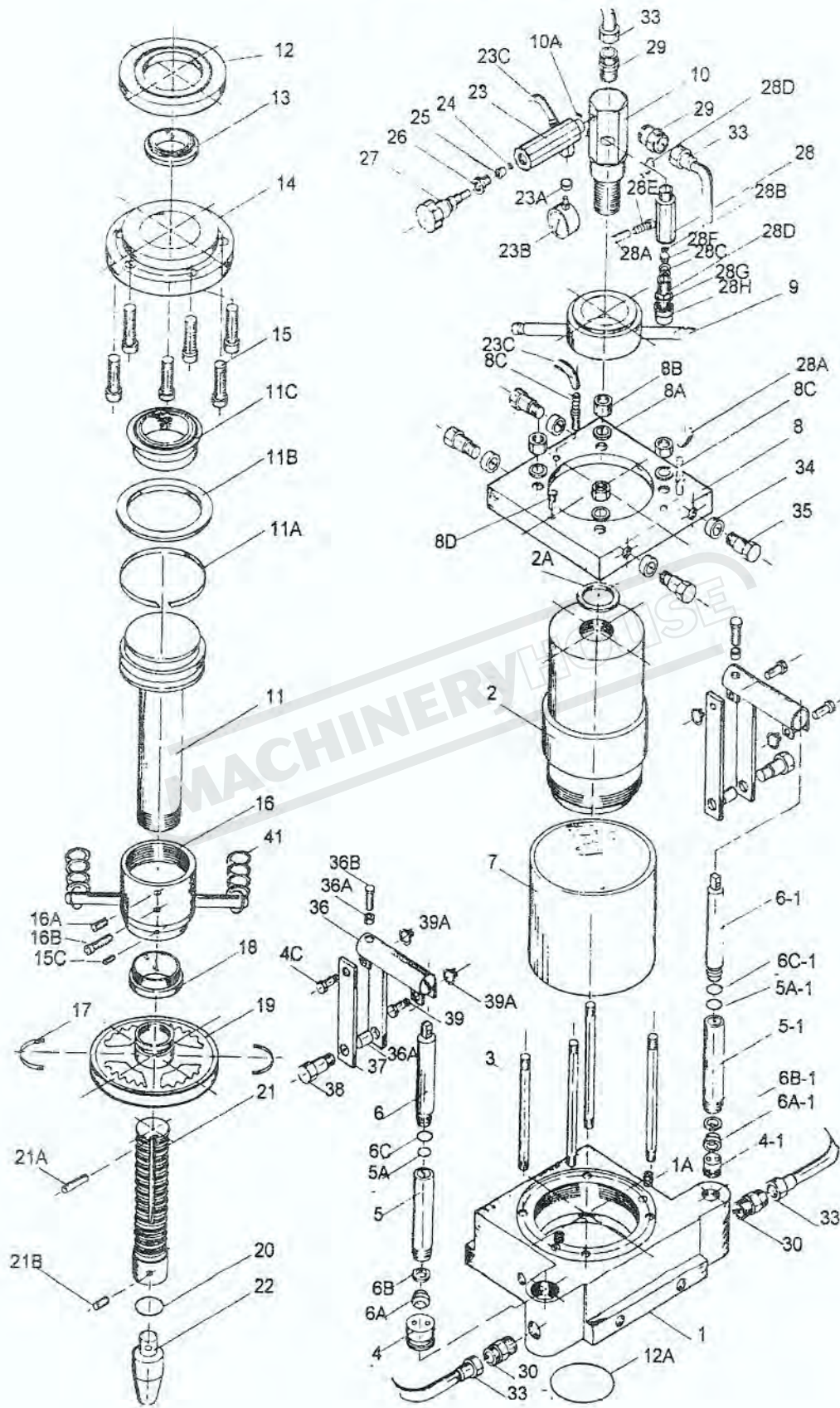


HEAD ASSEMBLY



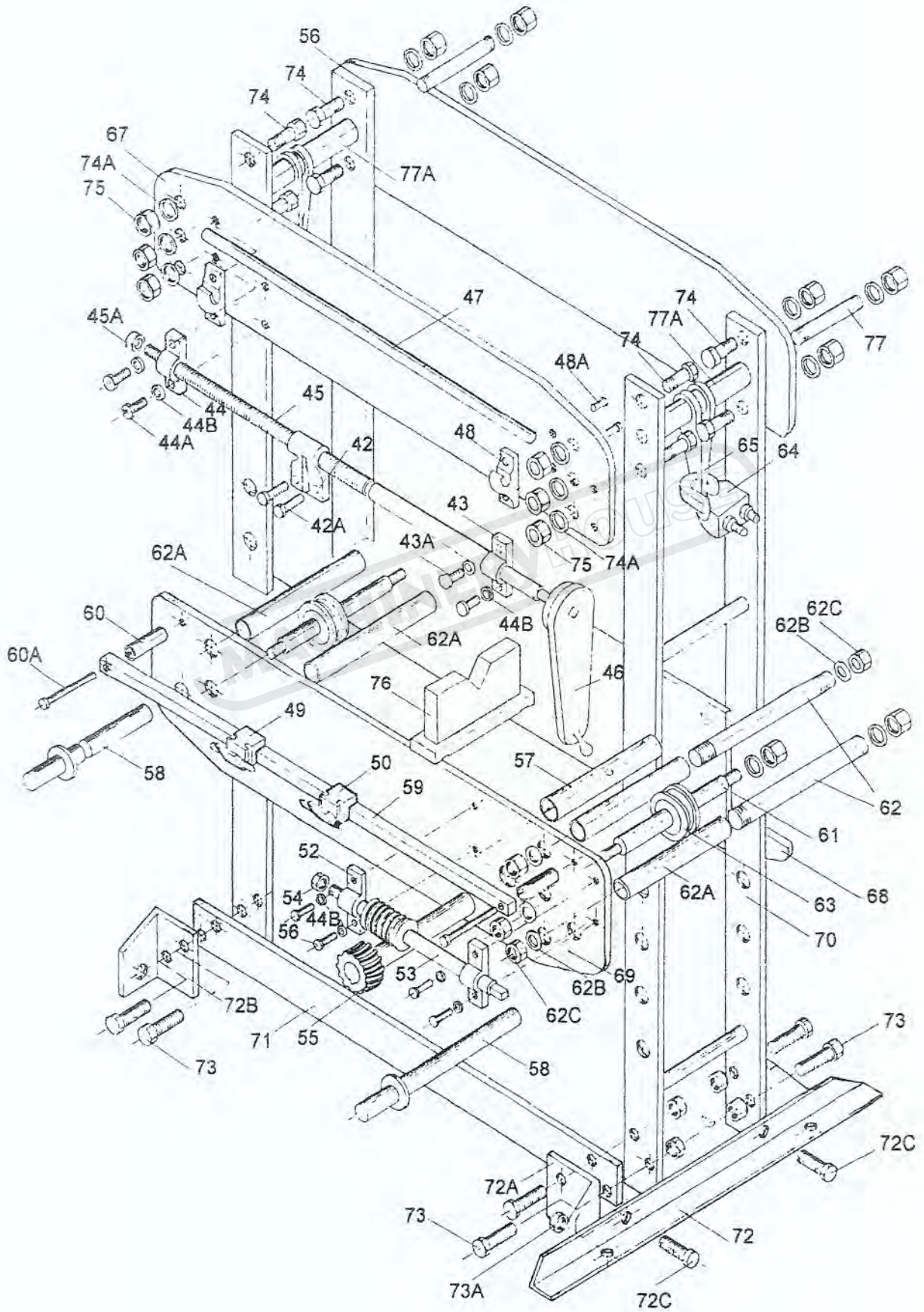
Head Assembly

Index Part

No	No.	Description	Size	Qty.
1	P129#01	Hydraulic Base		1
1A	P129#01A	Base Filter **		2
2	P129#02	Cylinder		1
2A	P129#02A	Spacer **		2
3	P129#03	Support Rod		4
4	P129#04	Single Action Valve		1
4-1	P129#04-1	Single Action Valve		1
5	P129#05	Pump Cylinder		1
5-1	P129#05-1	Pump Cylinder		1
6	P129#06	Shaft		1
6-1	P129#06-1	Shaft		1
6A	P129#06A	Cup Seal **		1
6A-1	P129#06A-1	Cup Seal **		1
6B	P129#06B	Wiper Seal **		1
6B-1	P129#06B-1	Wiper Seal **		1
6C	P129#06C	O-Ring **		1
6C-1	P129#06C-1	O-Ring **		1
7	P129#07	Reservoir		1
8	P129#08	Hydraulic Top Base		1
8A	P129#08A	Lock Washer	1/2	1
8B	P129#08B	Hex Nut	1/2	5
8C	P129#08C	Brass Tube Connector		4
8D	P129#08D	Hex Filler Plug w/Seal		4
9	P129#09	Connector Post		1
10	P129#10	Oil Pass Connector		1
10A	P129#10A	Spacer		2
11	P129#11	Plunger		1
11A	P129#11A	Teflon Support Ring **		1
11B	P129#11B	Spacer Ring		1
11C	P129#11C	Cup Seal **		1
12	P129#12	Brass Gasket		1
12A	P129#12A	O-Ring **		1

13	P129#13	Seal **	1
14	P129#14	Plunger Plate w/ Gasket	1
15	P129#15	Socket Head Cap Screw	3/8-1 1/4 6
16	P129#16	Connector Post	1
16A	P129#16A	Socket Set Screw	1
16B	P129#16B	Set Screw	1
16C	P129#16C	Socket Set Screw	1
17	P129#17	Hand Wheel Retainer Clips	2
18	P129#18	Hand Wheel Spacer	1
19	P129#19	Hand Wheel	1
20	P129#20	Seal	1
21	P129#21	Extension Screw	1
21A	P129#21A	Stopper Roll Pin	1
21B	P129#21B	Set Screw	1
22	P129#22	Press Head	1
23	P129#23	Release Valve Block	1
23A	P129#23A	Spacer	1
23B	P129#23B	Pressure Gauge	1
23C	P129#23C	Plastic Tube	1
24	P129#24	Steel Ball	1
25	P129#25	Release Valve Seal **	1
26	P129#26	Release Valve Nut	1
27	P129#27	Release Valve	1
28	P129#28	Safety Valve Block	1
28A	P129#28A	Plastic Tube	1
28B	P129#28B	Steel Ball	1
28C	P129#28C	Safety Spring	1
28D	P129#28D	Safety Valve Set Screw	1
28E	P129#28E	Brass Tube Connector	1
28F	P129#28F	Release Valve Seal **	1
28G	P129#28G	Washer	1
28H	P129#28H	Hex Nut	1
28I	P129#28I	Spacer	1
29	P129#29	Male Connector	2
30	P129#30	Male Connector	2
33	P129#33	Bronze Tube	2
34	P129#34	Sliding Wheel	4
35	P129#35	Hex Locking Screw	4
36	P129#36	Handle Socket	2
36A	P129#36A	Nut	3/8 2

FRAME ASSEMBLY



36B.....	P129#36A	Hex Head Screw	3/8-16x1	2
37	P129#37	Linking Sleeve		4
38	P129#38	Bottom	Fixed Bolt	2
38A.....	P129#38A	Spacer		2
39	P129#39	Bolt		2
39A.....	P129#39A	C-Clip.....		4
40	P129#40	Bolt		2
41	P129#41	Return Spring		2
	P129 RK.....	Hydraulic Repair Kit.....		1

**Included in Hydraulic Repair Kit

MACHINERYHOUSE

Frame Assembly

42	P129#42	Shaft Holder		1
42A	P129#42A	Hex Cap Head Bolt	1/2xl	2
43	P129#43	Rolling Shaft Block		1
43A	P129#43A	Hex Head Bolt	3/8xl 1/4	2
44	P129#44	Rolling Shaft Block		1
44A	P129#44A	Hex Cap Bolt	3/8-16xl	2
44B	P129#44B	Washer	3/8	8
45	P129#45	Sliding Shaft		1
45A	P129#45A	Nut	5/8-18	1
46	P129#46	Hand Crank		1
47	P129#47	Handle		1
48	P129#48	Handle Holder		2
48A	P129#48A	Hex Cap Bolt	5/16x1	4
49	P129#49	Center Post Assy.(Left)		1
50	P129#50	Center Post Assy.(Right)		1
51	P129#51	Fixed Holder		1
52	P129#52	Shaft Fixed Block		1
53	P129#53	Drive Gear Shaft Assembly		1
54	P129#54	Hex Nut		1
55	P129#55	Worm Gear / Shaft Assembly		1
56	P129#56	Hex Head Screw	3/8x1	4
57	P129#57	Spacer Sleeve		1
58	P129#58	Table Holder Pin		1
59	P129#59	Square Bar		1
60	P129#60	Screw Spacer		2
60A	P129#60A	Hex Cap Bolt	3/8x3 1/2	2
61	P129#42	Slide Wheel Shaft		2
62	P129#62	Table Bolt		4
62A	P129#62A	Spindle Sleeve		8
62B	P129#62B	Lock Washer	5/8	12
62C	P129#62C	Hex Nut	5/8	12
63	P129#63	Cable Slide Wheel		2
64	P129#64	Wire Rope Clip		2
65	P129#65	Cable		1
66	P129#66	Top Frame (Rear)		1
67	P129#67	Top Frame (Front)		2
68	P129#68	Table Frame (Rear)		1

69	P129#69	Table Frame (Front)		1
70	P129#70	Main Frame		2
71	P129#71	Lower Frame Support		2
72	P129#72	Base Frame Bracket		2
72A	P129#72A	Frame Bracket(Left)		2
72B	P129#72B	Frame Bracket(Right)		2
72C	P129#72C	Hex Cap Bolt	5/8x1 1/2	8
73	P129#73	Hex Cap Bolt	5/8x2	4
73A	P129#73A	Nut	5/8	12
74	P129#74	Hex Head Bolt	3/4x2	8
74A	P129#74A	Lock Washert	3/4	12
75	P129#75	Nut	3/4	12
76	P129#76	V-Block Bed Plate		2
77	P129#77	Top Link Bolt		2
77A	P129#77A	Spacer Sleeve		2

MACHINERYHOUSE

PLANT SAFETY PROGRAMME

NEW MACHINERY HAZARD IDENTIFICATION, ASSESSMENT & CONTROL

Stock Code: P129 Hydraulic Press Model: 35 TON Brand: HAFCO

Developed in Co-operation Between A.W.I.S.A and Australia Chamber of Manufacturers
This program is based upon the Australian Worksafe Standard for Plant(NOHSC:1010-1994)

Item No.	Hazard Identification	Hazard Assessment	Risk Control Strategies <small>(Recommended for Purchase / Buyer / User)</small>
B	CRUSHING	HIGH	Do not exceed maximum capacity. Check equipment for damage prior to use. Wear safety boots. Never put any part of your body between hydraulic ram and material. Always support material properly on hydraulic press. Ensure press is bolted down on level solid ground. Ensure table is as close as possible to ram and support pins are correctly positioned before using.
C	CUTTING, STABBING OR PUNCTURING	MEDIUM	Use equipment in the correct manner as to avoid parts being ejected out under pressure.
E	STRIKING	MEDIUM	Use equipment in the correct manner as to avoid parts being ejected out under pressure.

Plant Safety Program to be read in conjunction with manufactures instructions



"THE JUNCTION" 2 WINDSOR ROAD, NORTHMEAD NSW 2152
 Phone (02) 9890 9111 Fax (02) 9890 3888

Authorised and signed by:
 Safety officer:
 Manager:

Date: Mar-02