

SPARE PARTS SECTION

HYDRAULIC PRESS

Model HPF-20P

Order Code P150

EDITION No : HPF-20-3
DATE OF ISSUE : 04 / 2023

The following section covers the spare parts diagrams and lists that were current at the time this manual was originally printed. Due to continuous improvements of the machine, changes may be made at any time without notification.

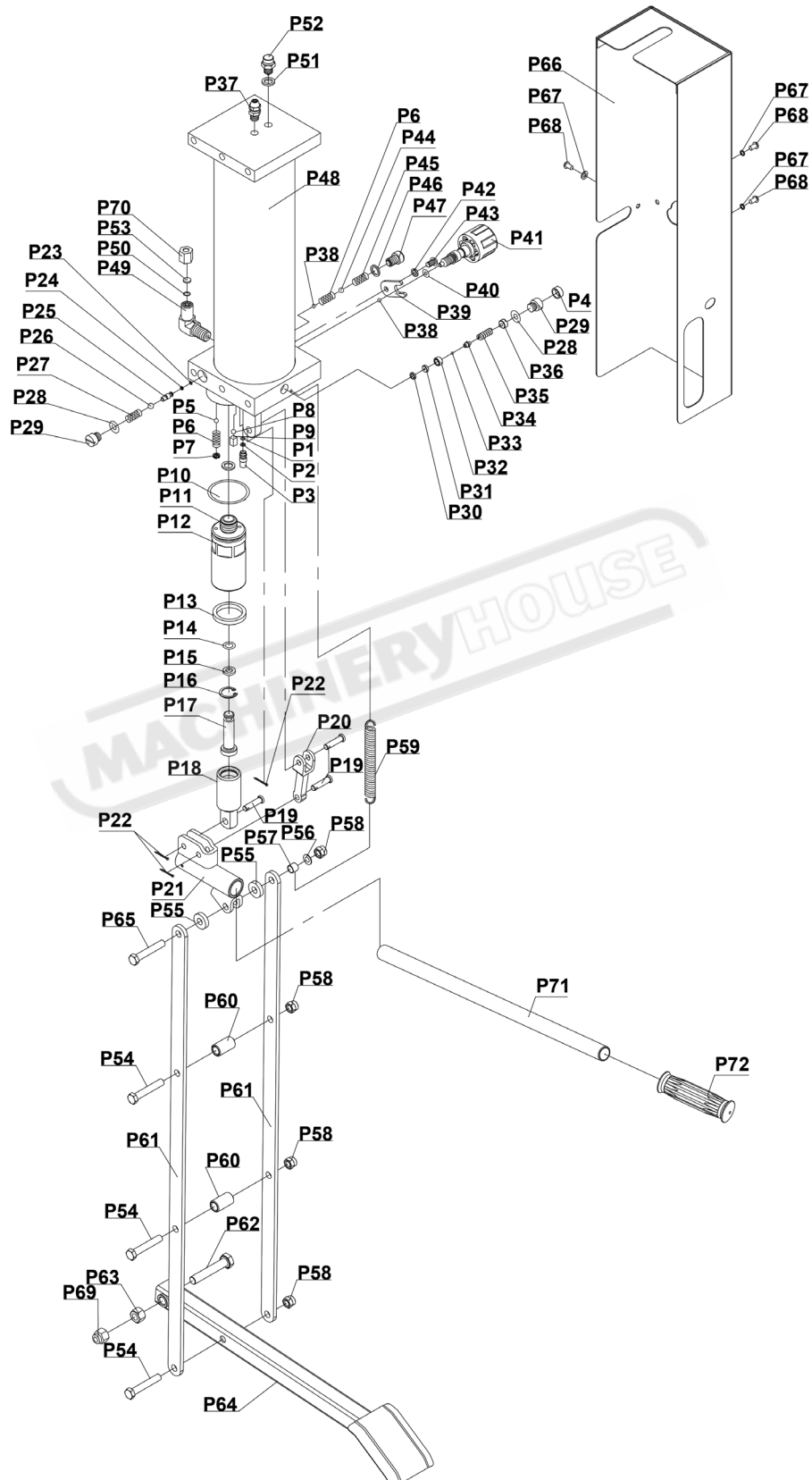
HOW TO ORDER SPARE PARTS

1. Have your machines **model number, serial number & date of manufacture** on hand, these can be found on the specification plate mounted on the machine
2. A scanned copy of your parts list/diagram with required spare part/s identified
3. Go to www.machineryhouse.com.au/contactus and fill out the enquiry form attaching a copy of scanned parts list.

CONTENTS

Pump Spare Parts Diagram.....	19
Pump Spare Parts List.....	20
Ram Spare Parts Diagram.....	21
Ram Spare Parts List.....	22
Press Spare Parts Diagram.....	23
Press Spare Parts List.....	24

HPF-20P PUMP SPARE PARTS DIAGRAM

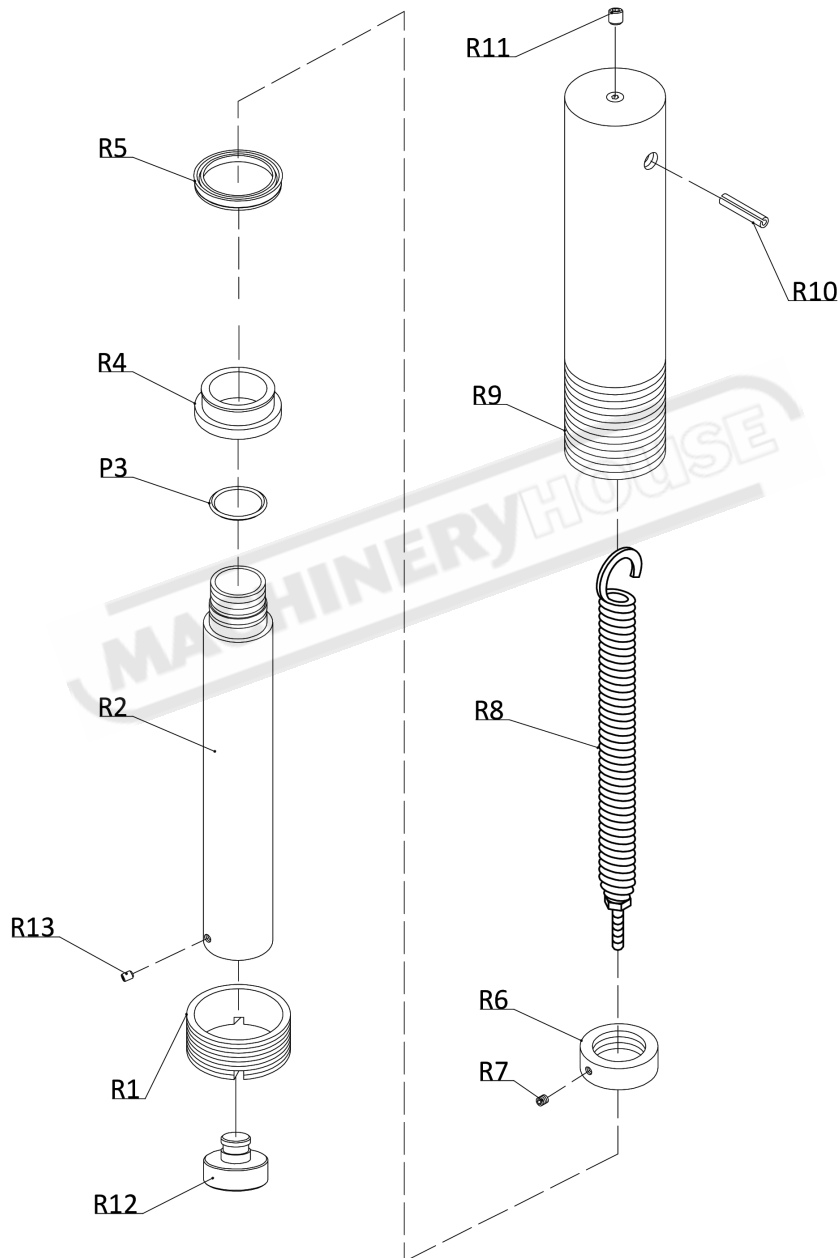


HPF-20 PUMP SPARE PARTS LIST

No.	Description	Qty	No.	Description	Qty
P1	O RING	1	P37	SCREW	1
P2	WASHER	1	P38	STEEL BALL	2
P3	DELIVERY VALVE	1	P39	U LIMIT	1
P4	CAP	1	P40	O RING	1
P5	STEEL BALL	1	P41	RELEASE VALVE	1
P6	SPRING	2	P42	LOCK WASHER	1
P7	SCREW	1	P43	SCREW	1
P8	STEEL BALL	1	P44	STEEL BALL	1
P9	SQUARE STEEL	1	P45	SPRING	1
P10	COPPER	1	P46	COPPER	1
P11	O RING	1	P47	SCREW	1
P12	PUMP CORE SEAT	1	P48	PUMP ASSEMBLY	1
P13	U RING	1	P49	ELBOW PIPE	1
P14	O RING	1	P50	O RING	1
P15	WASHER	1	P51	WASHER	1
P16	RETAINER RING	1	P52	SCREW	1
P17	SMALL PUMP CORE	1	P53	WASHER	1
P18	BIG PUMP CORE	1	P54	BOLT	3
P19	PIN	3	P55	SUPPORT BOARD	2
P20	CONNECTING ROD	1	P56	BUSHING	1
P21	HANDLE BRACKET	1	P57	FLAT WASHER	1
P22	PIN	3	P58	NUT	4
P23	O RING	1	P59	SPRING	1
P24	WASHER	1	P60	CONNECTION TUBE	2
P25	VALVE ROD	1	P61	CONNECTING ROD	2
P26	STEEL BALL	1	P62	BOLT	1
P27	SPRING	1	P63	NUT	1
P28	O RING	2	P64	FOOT PEDAL	1
P29	SCREW	2	P65	BOLT	1
P30	COPPER	1	P66	PROTECTIVE COVER	1
P31	WASHER	1	P67	FLAT WASHER	3
P32	SCREW	1	P68	SCREW	3
P33	VALVE BALL	1	P69	NUT	1
P34	STEEL BALL SEAT	1	P70	NUT	1
P35	SPRING	1	P71	HANDLE TUBE	1
P36	SCREW	1	P72	HANDLE BAR	1

NOTE: SOME INDIVIDUAL PARTS MAY ONLY BE AVAILABLE AS AN ASSEMBLY


HPF-20 RAM SPARE PARTS DIAGRAM



HPF-20 RAM SPARE PARTS LIST

No.	Description	Qty	No.	Description	Qty
R1	LIMIT RING	1	R8	SPRING	1
R2	PISTON ROD	1	R9	RAM ASSEMBLY	1
R3	O RING	1	R10	PIN	1
R4	PISTON	1	R11	SCREW	1
R5	U-RING	1	R12	SADDLE	1
R6	NUT	1	R13	SCREW	1
R7	SCREW	1			

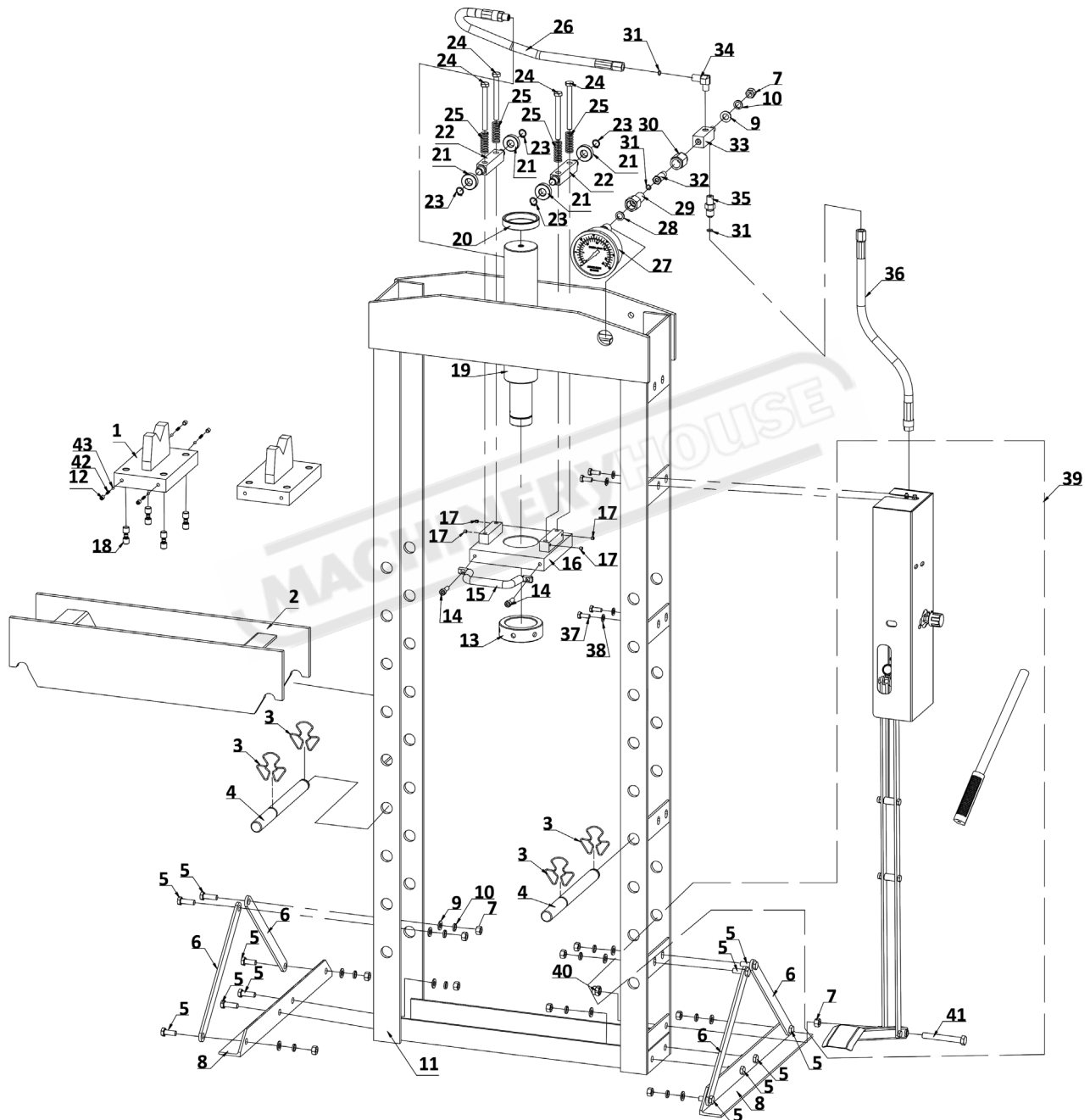
NOTE: SOME INDIVIDUAL PARTS MAY ONLY BE AVAILABLE AS AN ASSEMBLY



WARNING!

Serious injury or death can result from using this machine BEFORE understanding its controls and related safety information. DO NOT operate, or allow others to operate, the machine until the information is understood.

HPF-20 PRESS SPARE PARTS DIAGRAM



HPF-20 PRESS SPARE PARTS LIST

No.	Description	Qty	No.	Description	Qty
1	BLOCK	2	23	RETAINING RING	4
2	BED FRAME	1	24	BOLT	4
3	CLIP	4	25	SPRING	4
4	PIN	2	26	OIL HOSE	1
5	BOLT	12	27	PRESSURE GAUGE	1
6	SUPPORT	4	28	NYLON WASHER	1
7	NUT	14	29	CONNECTOR FOR GAUGE	1
8	LEG	2	30	NUT	1
9	WASHER	13	31	O-RING	3
10	LOCK WASHER	13	32	SCREW	1
11	WELDED FRAME	1	33	CONNECTOR	1
12	SCREW	8	34	BEND	1
13	SADDLE	1	35	CONNECTOR	1
14	SCREW	2	36	OIL HOSE	1
15	HANDLE	1	37	BOLT	4
16	PLATE FOR CYLINDER	1	38	WASHER	4
17	SCREW	4	39	PUMP ASSEMBLY	1
18	SCREW	8	40	NUT	1
19	CYLINDER	1	41	BOLT	1
20	UPPER ROUND NUT	1	42	SPRING	8
21	ROLLER	4	43	STEEL BALL	8
22	LOCATION BEAM	2			

NOTE: SOME INDIVIDUAL PARTS MAY ONLY BE AVAILABLE AS AN ASSEMBLY