

SPARE PARTS SECTION

HYDRAULIC PRESS

Model. HPF-20

Order Code P150

Edition No : HPF-20-2

Date of Issue : 04/2020

The following section covers the spare parts diagrams and lists that were current at the time this manual was originally printed. Due to continuous improvements of the machine, changes may be made at any time without notification.

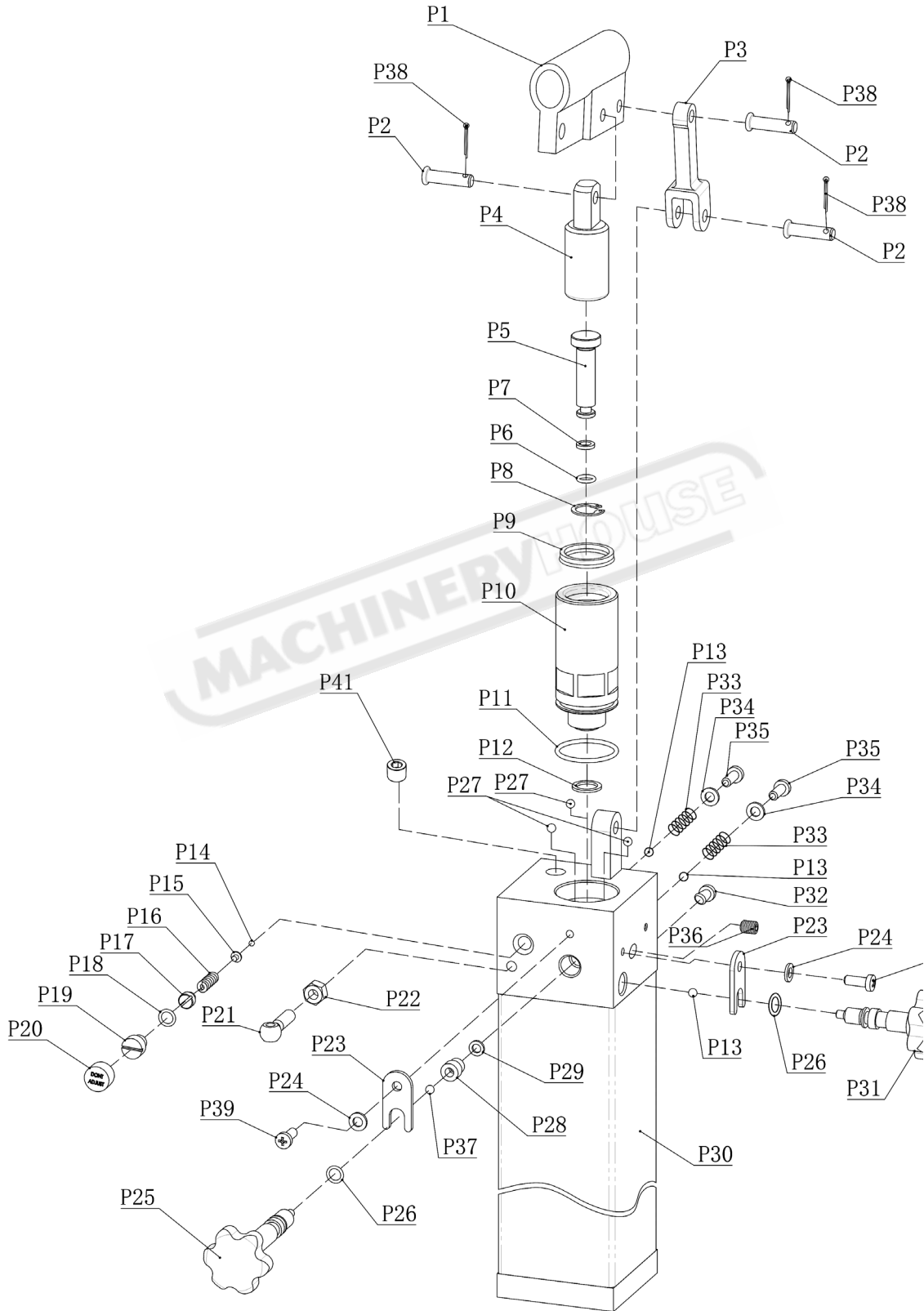
HOW TO ORDER SPARE PARTS

1. Have your machines **model number, serial number & date of manufacture** on hand, these can be found on the specification plate mounted on the machine
2. A scanned copy of your parts list/diagram with required spare part/s identified
3. Go to www.machineryhouse.com.au/contactus and fill out the enquiry form attaching a copy of scanned parts list.

CONTENTS

Pump Spare Parts Diagram.....	19
Pump Spare Parts List.....	20
Ram Spare Parts Diagram.....	21
Ram Spare Parts List.....	22
Press Spare Parts Diagram.....	23
Press Spare Parts List.....	24

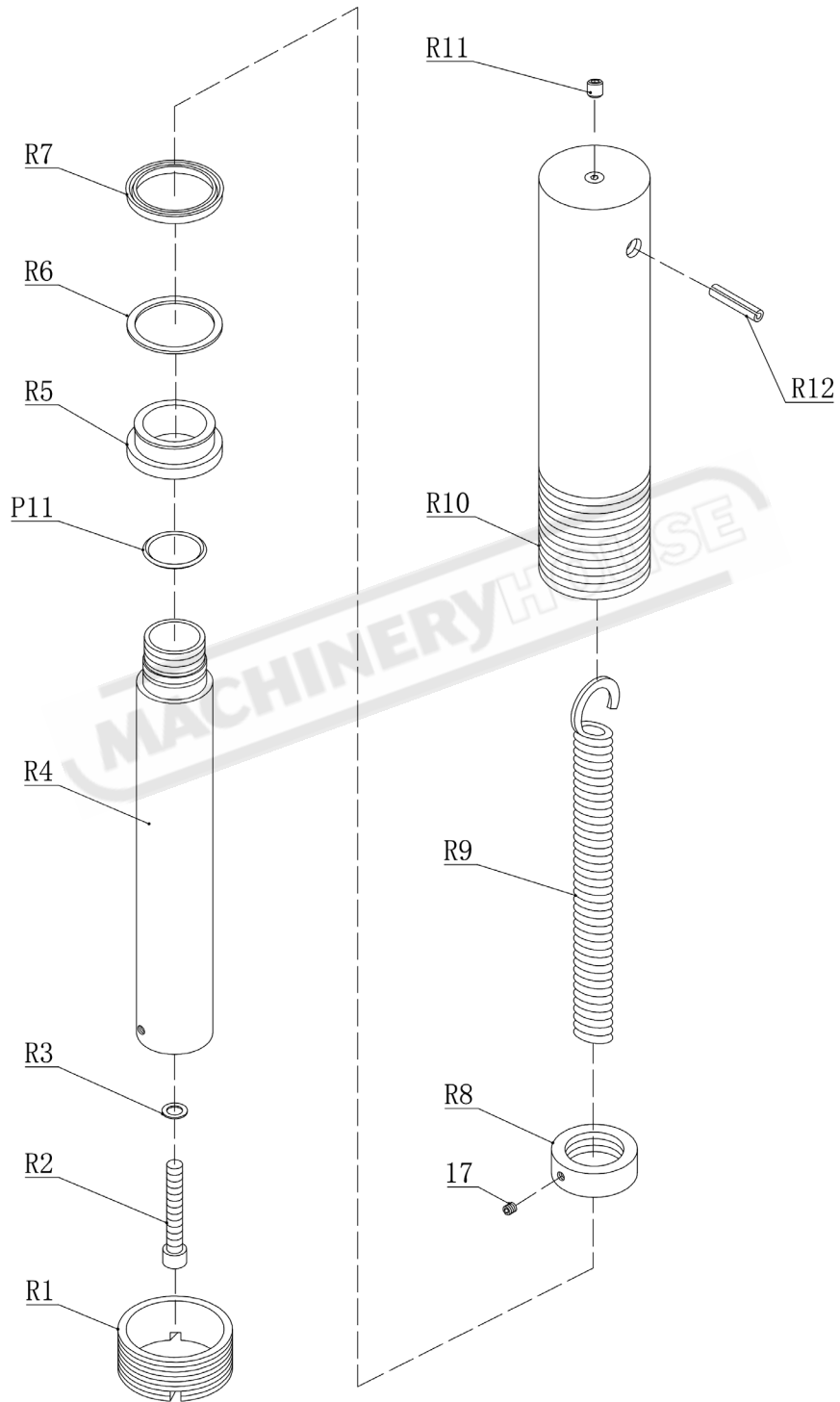
HPF-20P PUMP SPARE PARTS DIAGRAM



HPF-20 PUMP SPARE PARTS LIST

No.	Description	Qty	No.	Description	Qty
P1	Handle Socket	1	P22	Nut	1
P2	Pin	3	P23	U-Limited	2
P3	Link Rod	1	P24	Lock Washer	2
P4	Big Pump	1	P25	Long Release Valve	1
P5	Small Pump	1	P26	O-Ring	2
P6	O-Ring	1	P27	Steel Ball	3
P7	Washer	1	P28	Release Valve Seat	1
P8	Retainer Ring	1	P29	Copper Washer	1
P9	U-Ring	1	P30	Pump Base	1
P10	Pump Seat	1	P31	Short Release Valve	1
P11	O-Ring	1	P32	Screw	1
P12	Copper Washer	1	P33	Spring	2
P13	Steel Ball	3	P34	Copper Washer	2
P14	Steel Ball	1	P35	Screw	2
P15	Steel Ball Seat	1	P36	Screw	1
P16	Spring	1	P37	Steel Ball	1
P17	Screw	1	P38	Cotter Pin	3
P18	O-Ring	1	P39	Screw	2
P19	Screw	1	P40	Seal Ring	1
P20	Cap	1	P41	Screw	1
P21	Bolt	1			

HPF-20 RAM SPARE PARTS DIAGRAM

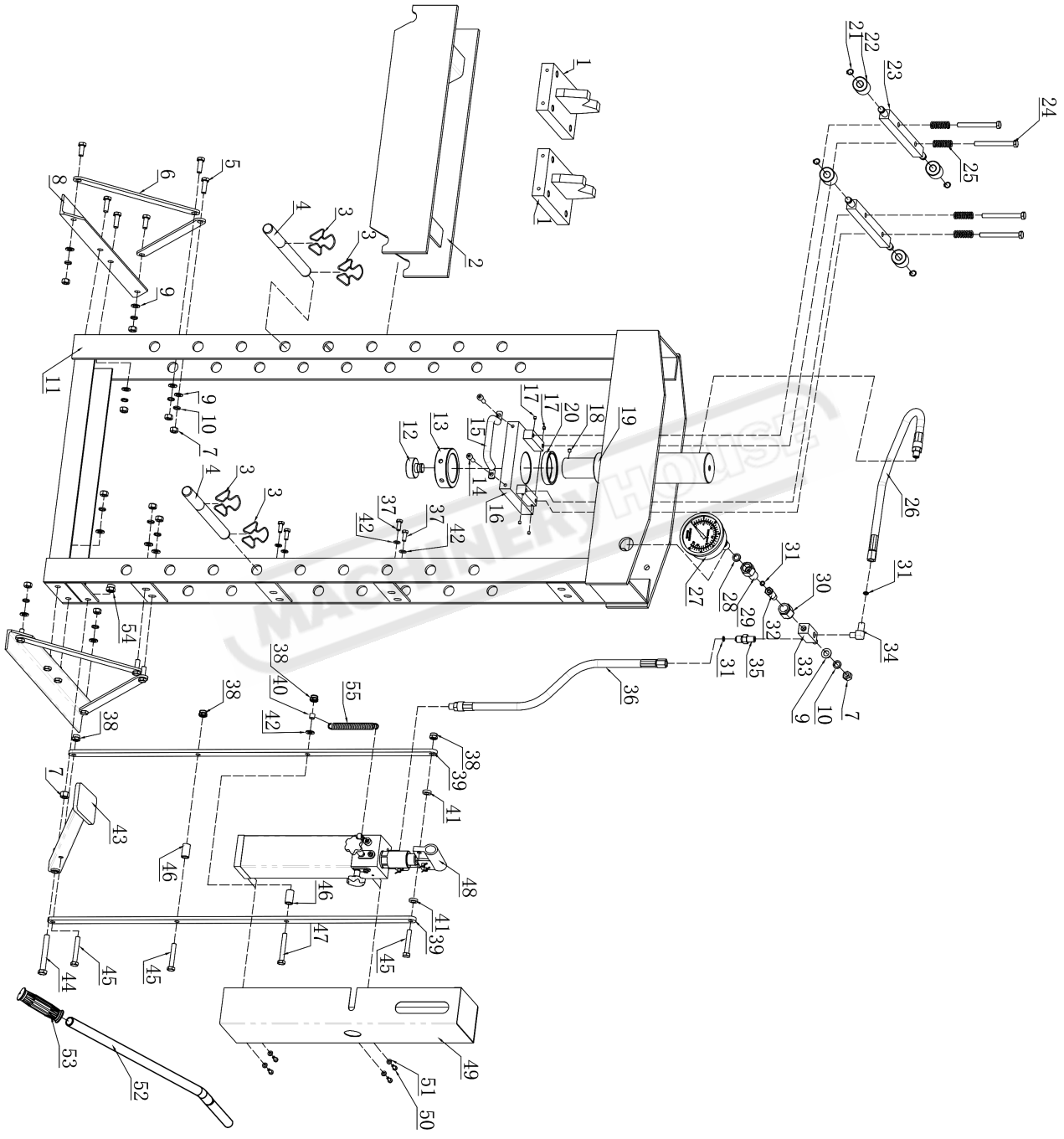


HPF-20 RAM SPARE PARTS LIST

No.	Description	Qty	No.	Description	Qty
R1	LIMITED RING	1	R8	NUT	1
R2	SCREW	1	R9	SPRING	1
R3	COPPER WASHER	1	R10	RAM	1
R4	PISTON ROD	1	R11	SCREW	1
R5	PISTON	1	R12	PIN	1
R6	WASHER	1	P11	O-RING	1
R7	U-RING	1	17	SCREW	1

MACHINERYHOUSE

HPF-20 PRESS SPARE PARTS DIAGRAM



HPF-20 PRESS SPARE PARTS LIST

No.	Description	Qty	No.	Description	Qty
1	BLOCK	2	29	CONNECTOR FOR GAUGE	1
2	BED FRAME	1	30	NUT	1
3	CLIP	4	31	O-RING	3
4	PIN	2	32	SCREW	1
5	BOLT	12	33	CONNECTOR	1
6	SUPPORT	4	34	BEND	1
7	NUT	14	35	CONNECTOR	1
8	LEG	2	36	OIL HOSE	1
9	WASHER	13	37	BOLT	4
10	LOCK WASHER	13	38	NUT	4
11	WELDED FRAME	1	39	LINK ROD	2
12	SADDLE	1	40	SLEEVE FOR SPRING	1
13	LOWER ROUND NUT	1	41	PLATE	2
14	SCREW	2	42	WASHER	5
15	HANDLE	1	43	FOOT PEDAL	1
16	PLATE FOR CYLINDER	1	44	BOLT	1
17	SCREW	4	45	BOLT	3
18	SCREW	1	46	CONNECTION ROD	2
19	CYLINDER	1	47	BOLT	1
20	UPPER ROUND NUT	1	48	PUMP ASS'Y	1
21	RETAINER RING	4	49	COVER FOR PUMP	1
22	ROLLER	4	50	SCREW	4
23	LOCATION BEAM	2	51	WASHER	4
24	BOLT	4	52	HANDLE	1
25	SPRING	4	53	GRIP FOR HANDLE	1
26	OIL HOSE	1	54	NUT	1
27	PRESSURE GAUGE	1	55	SPRING	1
28	NYLON WASHER	1			