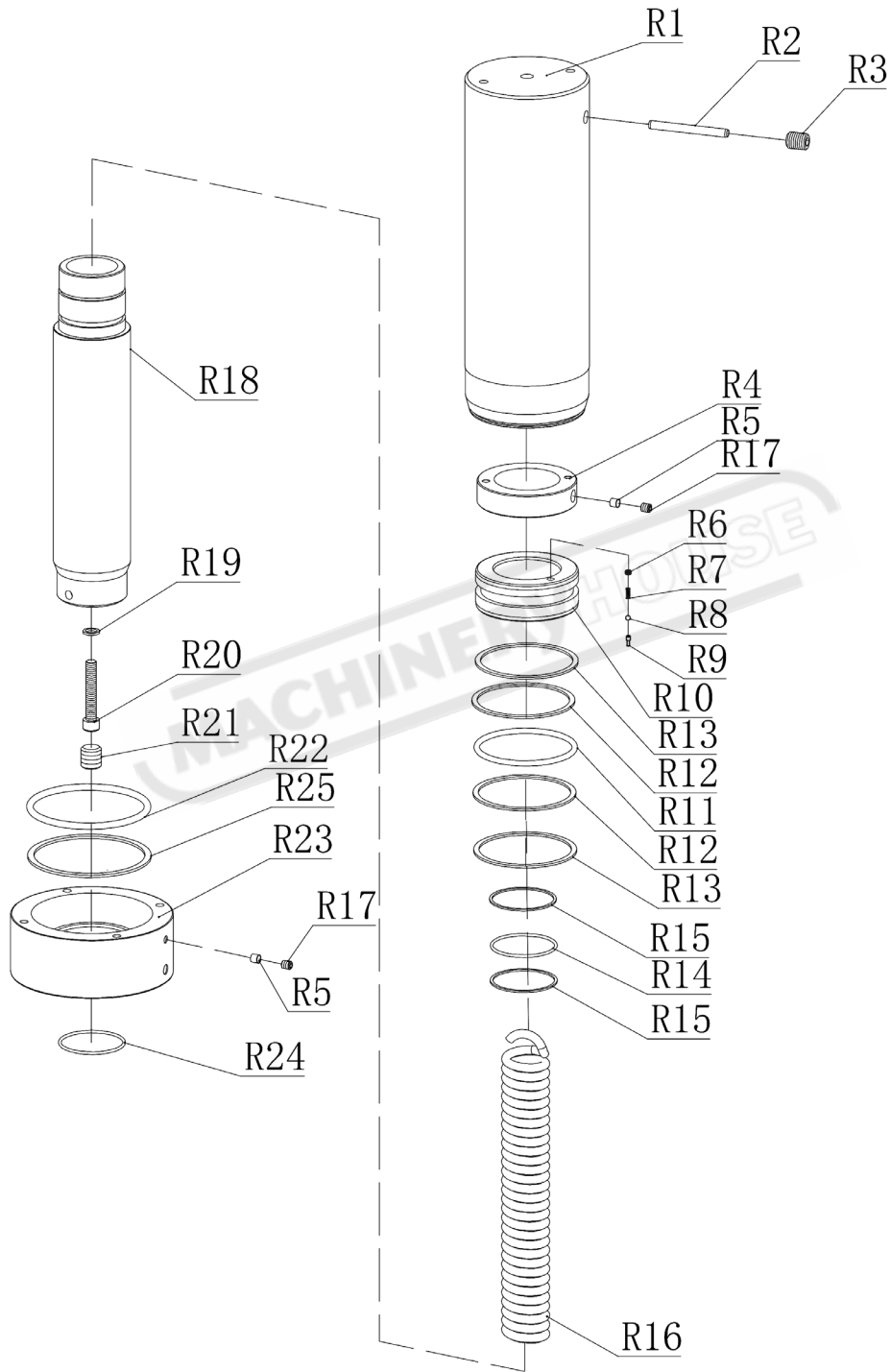


HPF-50 PUMP SPARE PARTS LIST

No.	Description	Qty	No.	Description	Qty
P1	Handle Socket	1	P24	Short Release Valve	1
P2	Big Pump Core	1	P25	Ball	1
P3	Small Pump Core	1	P26	Ball Seat	1
P4	PTFE Washer	1	P27	Spring	1
P5	O-Ring	1	P28	Screw	1
P6	Retaining Ring	1	P29	O-Ring	1
P7	Retaining Ring	1	P30	Screw	1
P8	Pump Core	1	P31	Plastic Cover	1
P9	O-Ring	1	P32	Nylon Ring	1
P10	Copper Washer	1	P33	Bolt	1
P11	Joint	1	P34	Copper Washer	2
P12	Ball	1	P35	Screw	3
P13	Ball	3	P36	Spring	2
P14	Pump Assy	1	P37	Composite Gasket	1
P15	Nut	1	P38	Pin	3
P16	Copper Washer	1	P39	Cotter Pin	3
P17	Bolt	1	P40	Connecting Rod	1
P18	Release Valve Seat	1	P41	O-Ring	2
P19	Ball	1	P42	PTFE Washer	1
P20	Long Release Valve	1	P43	Copper Washer	1
P21	Screw	2	P44	Ring	1
P22	Lock Washer	2	P45	Screw	1
P23	U-Limit Ring	2	P46	Ball	1

HPF-50 RAM SPARE PARTS DIAGRAM

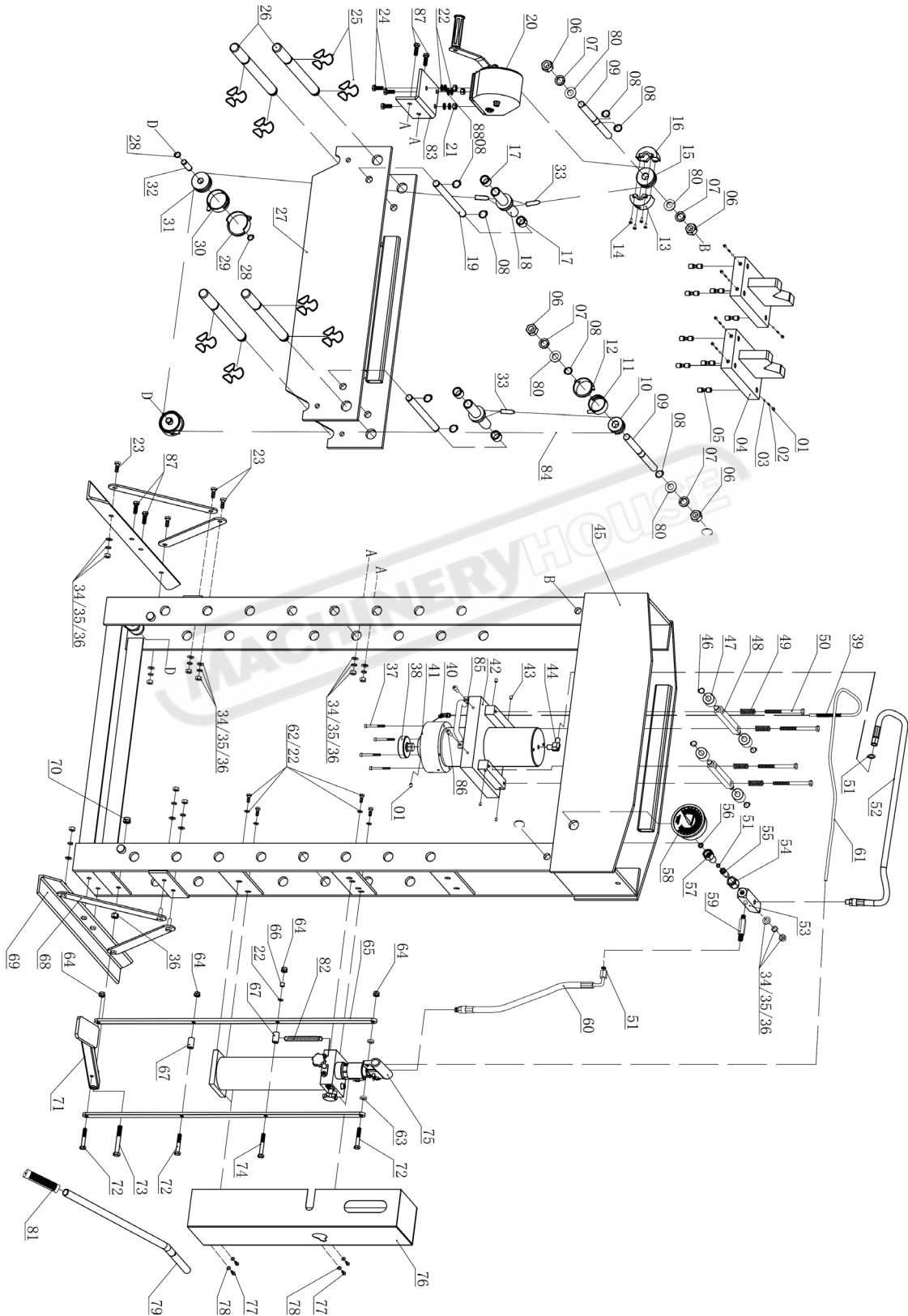


HPF-50 RAM SPARE PARTS LIST

No.	Description	Qty	No.	Description	Qty
R1	Cylinder	1	R14	O-Ring	1
R2	Pin	1	R15	PTFE Washer	2
R3	Screw	1	R16	Spring	1
R4	Nut	1	R17	Screw	2
R5	Nylon Block	2	R18	Piston Rod	1
R6	Screw	1	R19	Copper Washer	1
R7	Spring	1	R20	Screw	1
R8	Ball	1	R21	Screw	1
R9	Valve Core	1	R22	O-Ring	1
R10	Top Of Piston	1	R23	Down Nut	1
R11	O-Ring	1	R24	O-Ring	1
R12	PTFE Washer	2	R25	PTFE Washer	1
R13	Nylon Ring	2			

MACHINERYHOUSE

HPF-50 PRESS SPARE PARTS DIAGRAM



HPF-50 PRESS SPARE PARTS LIST

No.	Description	Qty	No.	Description	Qty
1	Screw	9	31	Roller	2
2	Spring	8	32	Pin	2
3	Ball	8	33	Protecting Cover	3
4	Block	2	34	Washer	15
5	Screw	8	35	Lock Washer	15
6	Nut	4	36	Nut	16
7	Lock Washer	4	37	Screw	4
8	Retaining Ring	8	38	Saddle	1
9	Pin	2	39	Spring	1
10	Roller	1	40	Joint	1
11	Protective Cover 3	1	41	Cylinder	1
12	Protective Cover 4	1	42	Plate For Cylinder	1
13	Protective Cover I	1	43	Screw	4
14	Screw	4	44	Connector	1
15	Roller 3	1	45	Welded Frame	1
16	Protective Cover II	1	46	Retainer Ring	4
17	Drive pipe	4	47	Roller	4
18	Drive pipe	2	48	Location Beam	2
19	Casing Component	2	49	Spring	4
20	Hand Winch	1	50	Bolt	4
21	Nut	3	51	O-Ring	3
22	Washer	8	52	Oil Hose 1	1
23	Bolt	8	53	Joint 2	1
24	Bolt	3	54	Nut	1
25	Clip	8	55	Screw	1
26	Pin	4	56	Nylon Washer	1
27	Bed Frame	1	57	Connector For Gauge	1
28	Retainer Ring	4	58	Gauge	1
29	Protective Cover 2	2	59	Connector	1
30	Protective Cover 1	2	60	Oil Hose	1

HPF-50 PRESS SPARE PARTS LIST

No.	Description	Qty	No.	Description	Qty
61	PU Hose	1	75	Pump Ass'Y	1
62	Screw	4	76	Cover For Pump	1
63	Plate	2	77	Screw	4
64	Nut	4	78	Washer	4
65	Link Rod	2	79	Handle	1
66	Sleeve For Spring	1	80	Washer	4
67	Connection Rod	2	81	Grip For Handle	1
68	Support	4	82	Spring	1
69	Leg	2	83	Fixed Plate	1
70	Nut	1	84	Cable	1
71	Foot Pedal	1	85	Handle	1
72	Screw	3	86	Screw	2
73	Screw	1	87	Bolt	6
74	Screw	1	88	Lock Washer	3