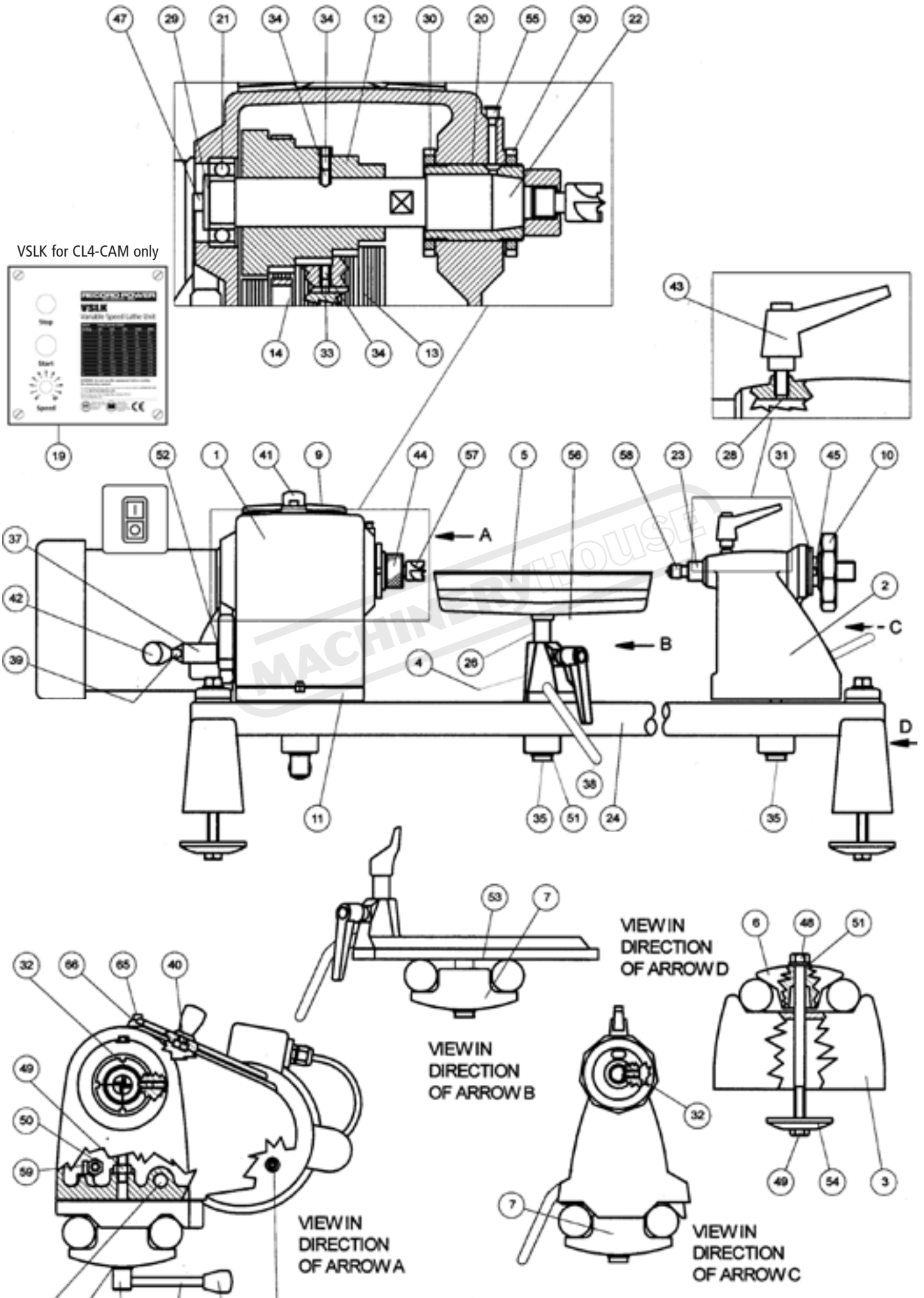


13. Spare Part Identification



13. Spare Part Identification - cont.

ITEM No.	PART No.	DESCRIPTION	QTY
1	BOHZ	Headstock	1
2	ZJB-CAM	Tailstock	1
3	ZIC	End bracket	2
4	BOBJ-CAM	Banjo	1
5	ZCF	CLO/J 10" Tool rest	1
6	ZIF	End bracket clamp	2
7	ZIW	Tool rest base clamp	3
9	BOLZ	Headstock cover	1
10	ZJE	Tailstock Handwheel	1
11	ZJF	Headstock base	1
12	ZJH	Spindle pulley - 5 Speed	1
13	ZJI	Motor pulley – 5 Speed	1
14	ZJJ	CL3/I Belt – 5 rib	1
19	VSLK	Invertor / motor / motor plate	1
20	ZJR	Bearing – bronze	1
21	ZACG	Bearing – 6205ZZ	1
22	ZJT	Main spindle	1
23	ZJL	Tailstock barrel	1
24	ZJK	Bed rail – chrome (57.25") for 36" lathes	2
26	BOTS	Post – tool rest	1
27	ZJM	Pin – motor plate pivot	1
28	ZJY	Brass pad	1
29	ZACL	Washer – spindle end	1
30	ZJS	Locking ring	2
31	ZJO	C-washer	1
32	ZJU	Nib	2
33	ZABR	M6 x 10mm Dog point socket screw	1
34	ZABL	M6 x 8mm Socket screw	3
35	ZABM-C	Nyloc Nut	2
36	BOSS	Screw – clamping for headstock	1
37	ZIV	Screw – clamping for motor plate	1
39	ZIL	Handle – short	1
40	ZADV	Screw for cover knob	1
41	CLKJ	Cover knob	1
42	CLKI	Plastic knob	4
43	CLRC	M8 Ratchet handle	1
44	ZBU	CWA170 Thread protector	1
45	BOSW	M5 x 15mm Socket head cap screw	2
46	ZACH	M6 x 25mm Socket head cap screw	4
47	ZABK	M6 x 18mm Socket head cap screw	1
48	ZABX	M12 x 220mm Clamp bolt	2
49	ZABM	Nut – 12 mm	6
50	ZABN	Nut – 10 mm	1
51	ZABO	Washer – 12 mm	7
52	ZABP	Washer – 10 mm	1
54	ZED	Washer – cast	2
55	ZACK	Oiler	1
56	CLRA	M10 Ratchet handle	1
57	ZBZ	CWA80 7/8" 4 Prong spur centre	1
58	ZBY	CWA90 Ring centre	1
59	ZACM	Pin - nut retaining	1
60	ZACJ	3mm Hexagonal wrench #	1
61	ZACI	Wrench – spindle #	1
62	ZCA	Pry bar #	1
63	ZJV	Brass rod #	1
65	BOSG	Screw – headstock cover	1
66	BOBQ	Screw – retainer	1
71	ZADA	5mm Hexagonal wrench #	1

#: Not illustrated in parts diagram.

14. Electrical Connection & Wiring Diagram

Machines supplied for use in the UK are fitted with a 3 pin plug conforming to BS1363, fitted with a fuse conforming to BS1362 and appropriate to the current rating of the machine.

Machines supplied for use in other countries within the European Union are fitted with a 2 pin Schuko plug conforming to CEE 7/7.

Machines supplied for use in Australia & New Zealand are fitted with a 3 pin plug conforming to AS/NZS3112.

In all cases, if the original plug or connector has to be replaced for any reason, the wires within the mains power cable are colour coded as follows:

230 V (Single Phase)

- Brown: Live (L)
- Blue: Neutral (N)
- Green and Yellow: Earth (E)

The wire coloured brown must always be connected to the terminal marked 'L' or coloured red.

The wire coloured blue must always be connected to the terminal marked 'N' or coloured black.

The wire coloured green and yellow must always be connected to the terminal marked 'E' or with the earth symbol:



or coloured green / green and yellow.

It is important that the machine is effectively earthed. Some machines will be clearly marked with the double insulated logo:



In this case there will not be an earth wire within the circuit.

In the case of the BS1363 plug for use in the UK, always ensure that it is fitted with a fuse conforming to BS1362 appropriate to the rating of the

machine. If replacing the original fuse, always fit a fuse of equivalent rating to the original. Never fit a fuse of a higher rating than the original. Never modify the fuse or fuse holder to accept fuses of a different type or size.

Where the current rating of the machine exceeds 13 A at 230 V, or if the machine is designated for use on a 400 V 3 phase supply a connector conforming to BS4343 (CEE17 / IEC60309) will be used.

230 V machines will be fitted with a blue 3 pin connector. The wiring for this type of this connector will be the same as shown above.

400 V, 3 phase machines will be fitted with a red 4 or 5 pin connector. The wiring for this type of connector is as shown below:

400 V (3 phase)

- Brown: Live (L1)
- Black: Live (L2)
- Grey: Live (L3)
- Blue: Neutral (N)
- Green and Yellow: Earth (E)

The wire coloured brown must always be connected to the terminal marked 'L1'.

The wire coloured black must always be fitted to the terminal marked 'L2'.

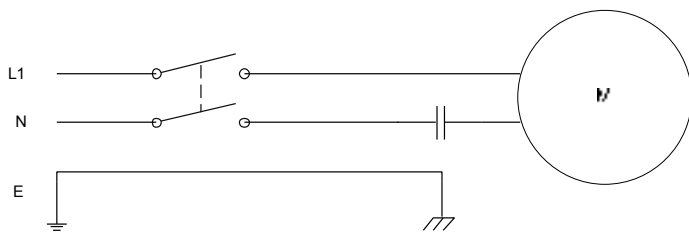
The wire coloured grey must always be connected to the terminal marked 'L3'.

The wire coloured blue must always be connected to the terminal marked 'N' or coloured black.

The wire coloured green and yellow must always be connected to the terminal marked 'E' or with the earth symbol

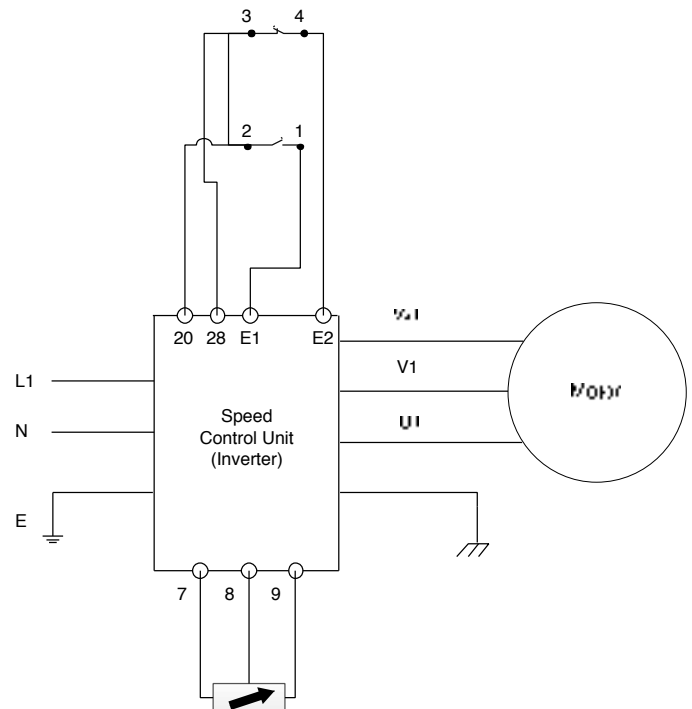
If in doubt about the connection of the electrical supply, always consult a qualified electrician.

CL3-CAM Wiring Diagram



L1 - Live (Brown)
 N - Neutral (Blue)
 E - Earth (Green & Yellow)

CL4-CAM Wiring Diagram



L1 - Live (Brown)
 N - Neutral (Blue)
 E - Earth (Green & Yellow)

15. Contents of the CL3/B Package

- 1 End turning bracket
- 2 Swivel bracket
- 3 Tubular bowl rest
- 4 Banjo
- 5 End turning banjo clamping screw
- 6 Swivel bracket clamping screw
- 7 End turning bracket securing screw
- 8 Swivel bracket secondary screw
- 9 Ratchet handle for tool rest (banjo)
- 10 Allen key



16. Assembly of the CL3/B

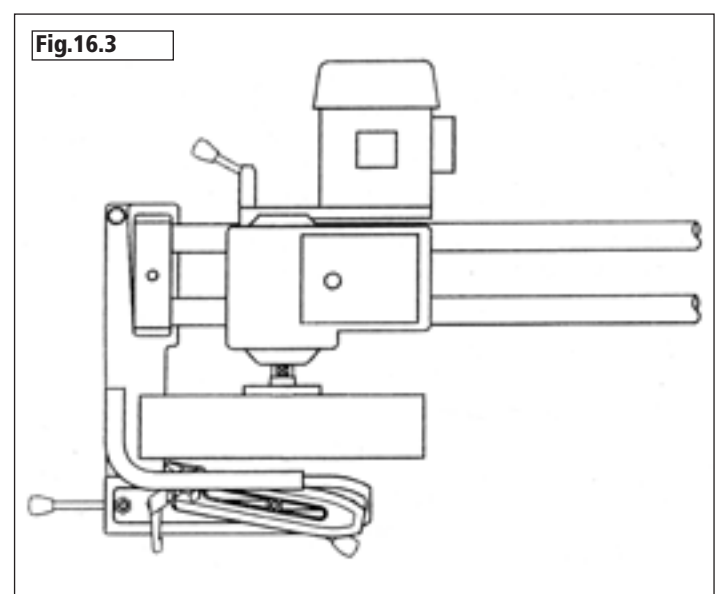
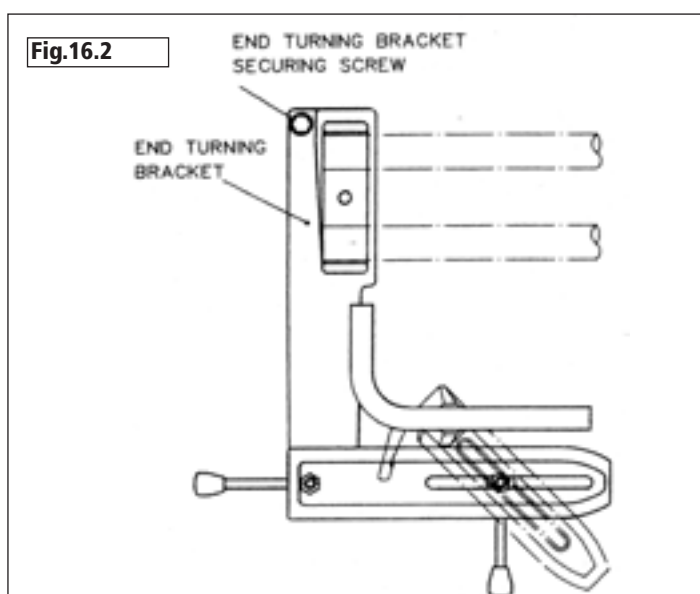
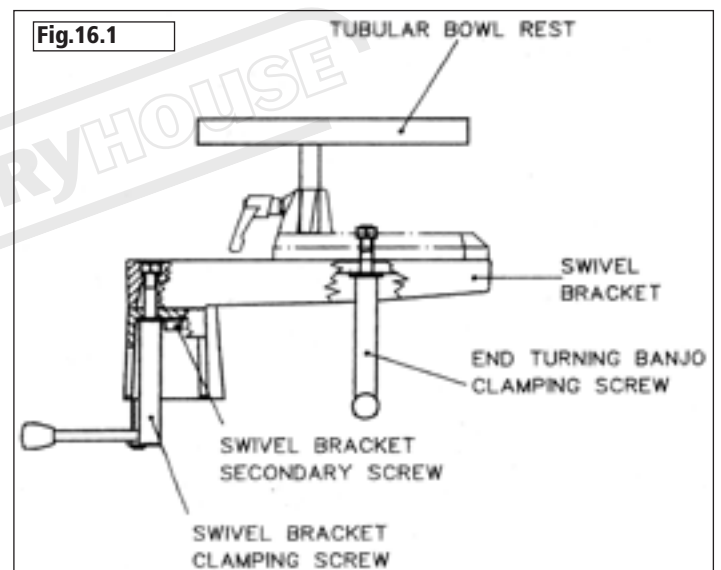
Please note: The end turning bracket supplied as part of the CL3/B replaces the end bracket supplied with the lathe, at the head stock end.

Fitting The Bracket To The Lathe

To assemble the unit, simply remove the end bracket at the headstock end of the machine and fix the end turning bracket in its place. Then assemble the swivel bracket as shown in **Fig 16.1** & **Fig 16.2**. This unit can be left on the machine when turning between centres etc.

Positioning & Adjustment

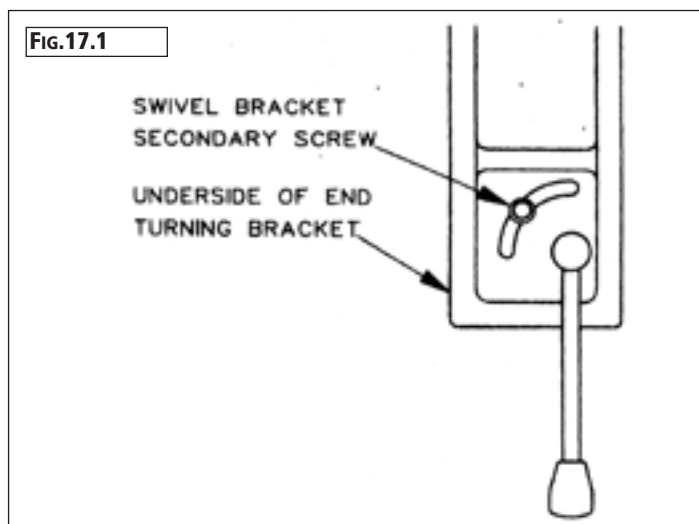
The most comfortable position for turning a particular workpiece can be obtained not only by adjusting the various components of the end turning unit but also by swivelling the headstock to the optimum angle and by adjusting its position along the bed bars. See **Fig 16.3** for a typical arrangement of the bowl rest.



17. Use & Application of the CL3/B

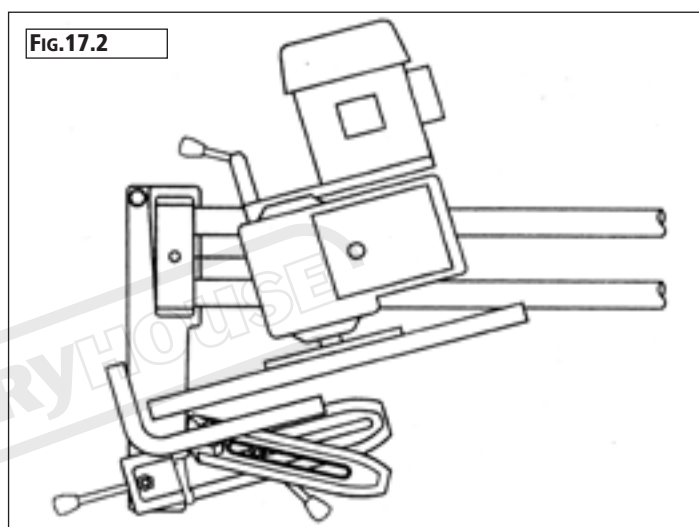
Normal Duty work

For normal duty work the swivel bracket clamping screw is sufficient to secure the swivel bracket in position but if movement is anticipated then the swivel bracket secondary screw should also be tightened, **Fig 17.1**.

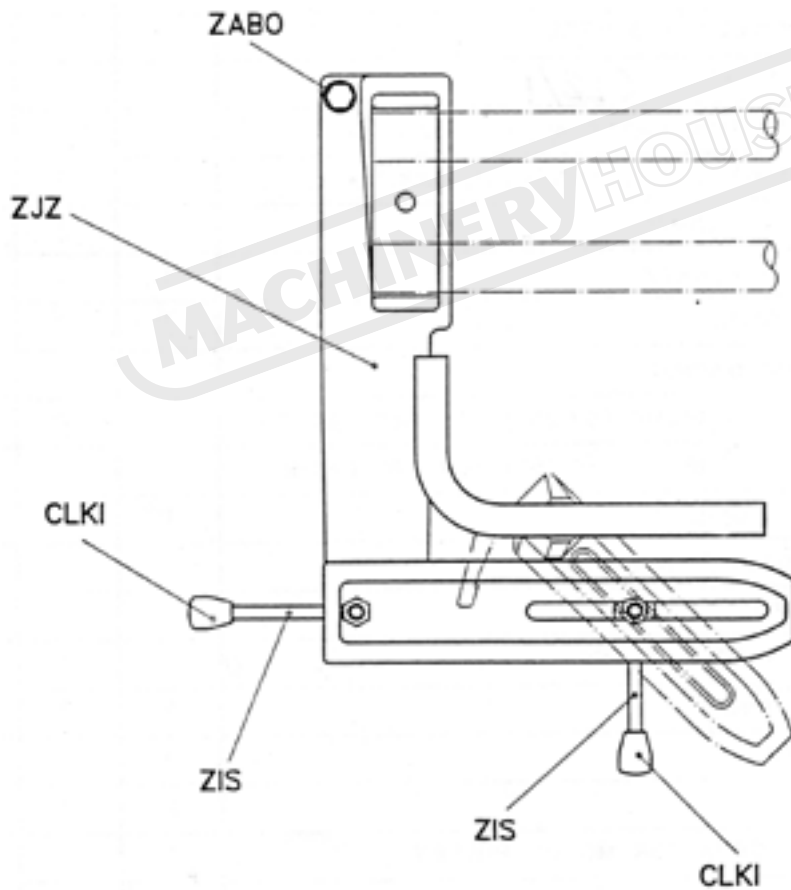
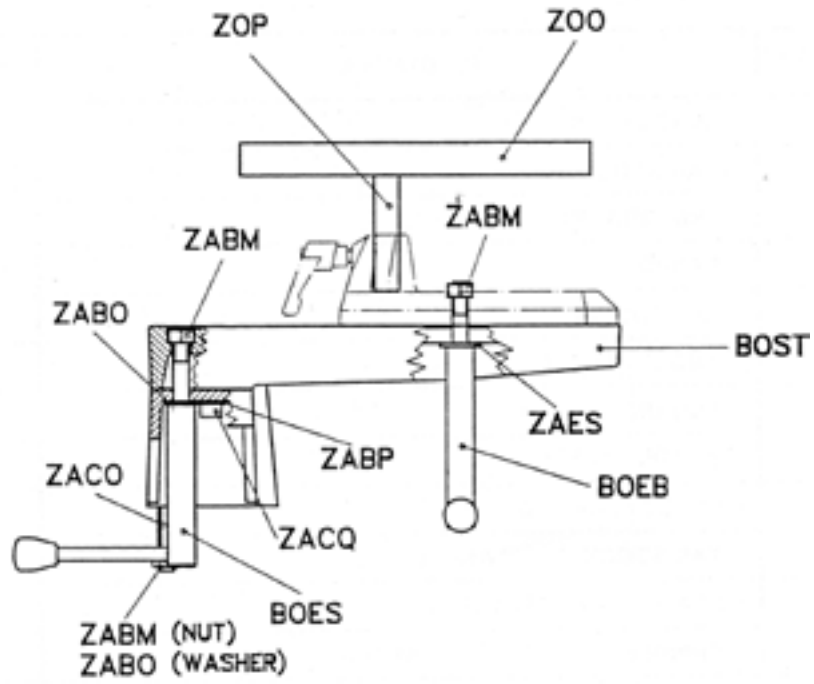


Thin work

For thin work the headstock can be swivelled to give maximum clearance for the turning tool handle, **Fig 17.2**.



18. CL3/B Parts List & Diagrams

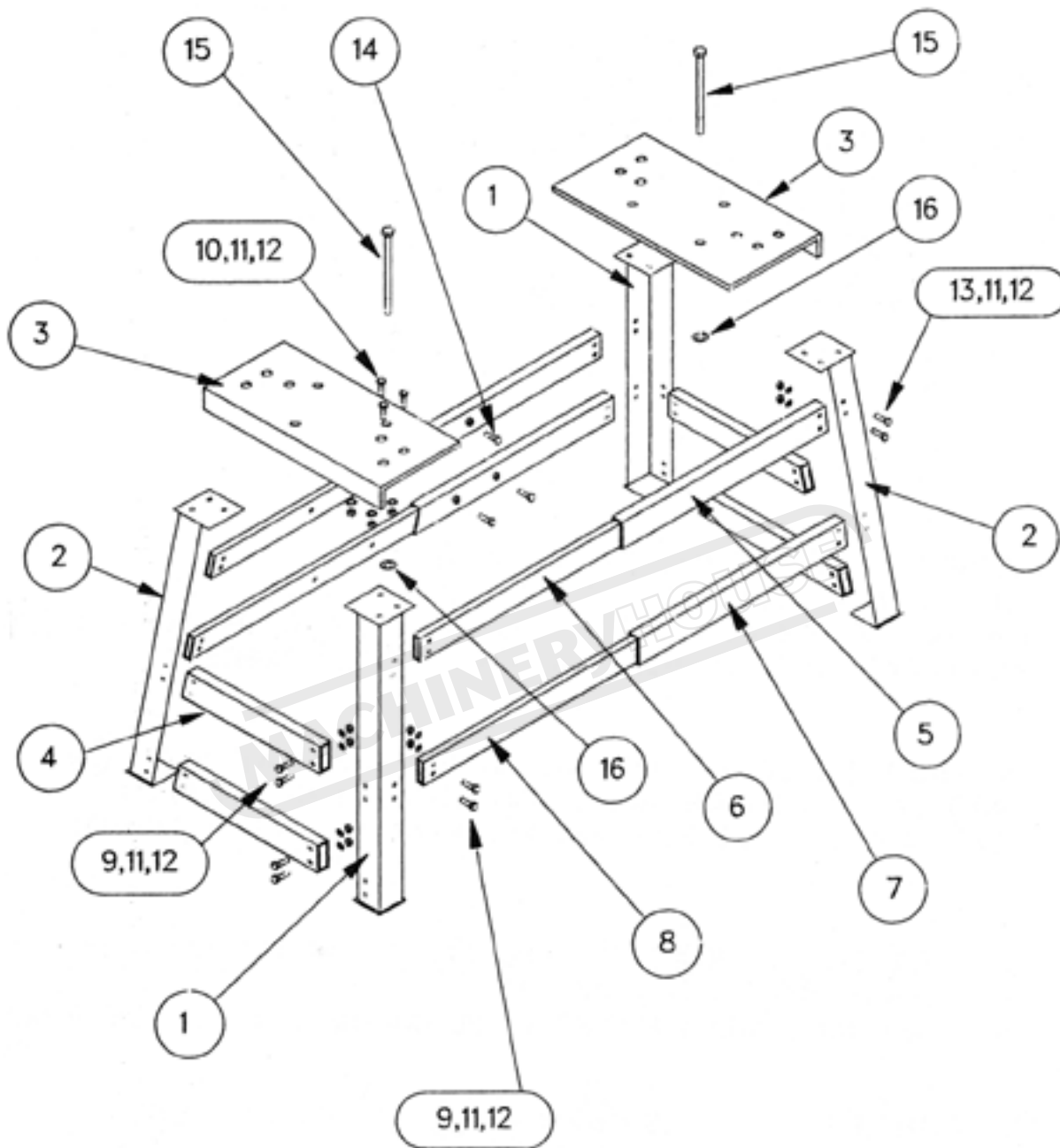


Part Number	Description	Quantity	Part Number	Description	Quantity
ZJZ	End Turning Bracket	1	ZOO	Tube For Tubular Bowl Rest	1
BOST	Swivel Bracket	1	ZABM	Nut - M12	3
BOEB	Clamping Screw For Banjo	1	ZABO	Washer - M12	3
BOES	Clamping Screw For Swivel Bracket	1	ZAES	Washer - Large	1
CLK1	Plastic Knob	2	ZABP	Washer - M10	1
ZIS	Handle - Long	2	ZACO	Screw - M12 x 65mm	1
ZOP	Stem For Tubular Bowl Rest	1	ZACQ	Screw - M10 x 30mm	1

19. Contents of the RPLB24-48 Package

Remove bench parts from packaging and lay out in a clean, uncluttered area. Check contents against parts list and diagram, **Fig 19.1**, then follow assembly instructions.

Fig.19.1



Ref No	Part No	Description	Quantity	Ref No	Part No	Description	Quantity
1	CDLT	Fabricated steel leg (front LH)	2	10	ZADB	M8 x 20 Hex setscrew	12
2	CDOT	Fabricated steel leg (front RH)	2	11	ZACB	M8 Hex nut	44
3	CDMP	Top plate	2	12	ZADD	M8 Plain washer 44	
4	CDEM	End rail (51 x 25 x 355 mm)	2	13	BQST	M8 x 55 Hex Setscrew	8
5	CDFU	Upper side rail (57 x 40 x 978 mm)	2	14	ZAEN	M10 x 50 Hex Setscrew	8
6	CDMU	Upper side rail (51 x 32 x 1074 mm)	2	15	CDHB	M12 x 175 Hex Bolt	2
7	CDFS	Lower side rail (63 x 25 x 40 1023 mm)	2	16	ZABO	M12 Plain washer	2
8	CDMS	Lower side rail (51 x 32 x 1124 mm)	2	17		End rail (2 x 1 16 3/4")	2
9	ZAFE	M8 x 45 Hex set screw	24				

20. RPLB24-48 Specifications

The RPLB 24-48 Lathe bench can be adjusted to suit the CL3-CAM and CL4-CAM Record Power lathes. It is also possible to fit the DML36SH-CAM Record Power lathe, providing alternative holes are drilled. Other lathes may be accommodated by drilling extra holes in the side rails or by mounting a wooden top with suitable holes for bolting the lathe down.

Length (36" Lathe)	1664 mm
Width	547 mm
Height	800 mm
Weight	45 kg

21. RPLB24-48 Assembly

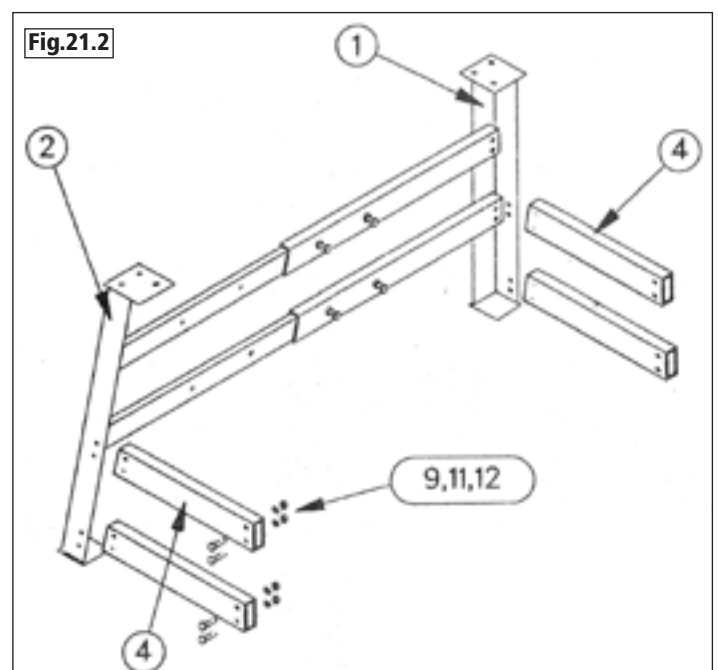
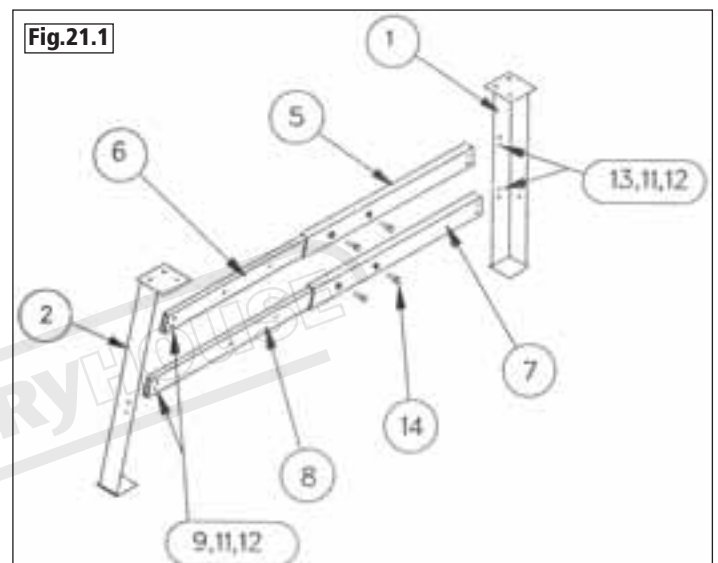


IMPORTANT: Unless otherwise instructed, do not fully tighten any of the fixing bolts until all of the assembly instructions have been completed.

Before assembling the lathe stand, take time to correctly identify the upper and lower side rails. They have differing lengths and can only be used in the intended positions. The lathe stand cannot be assembled successfully if the wrong size rails are used in the wrong places. Please see section 19 for full details of sizes.

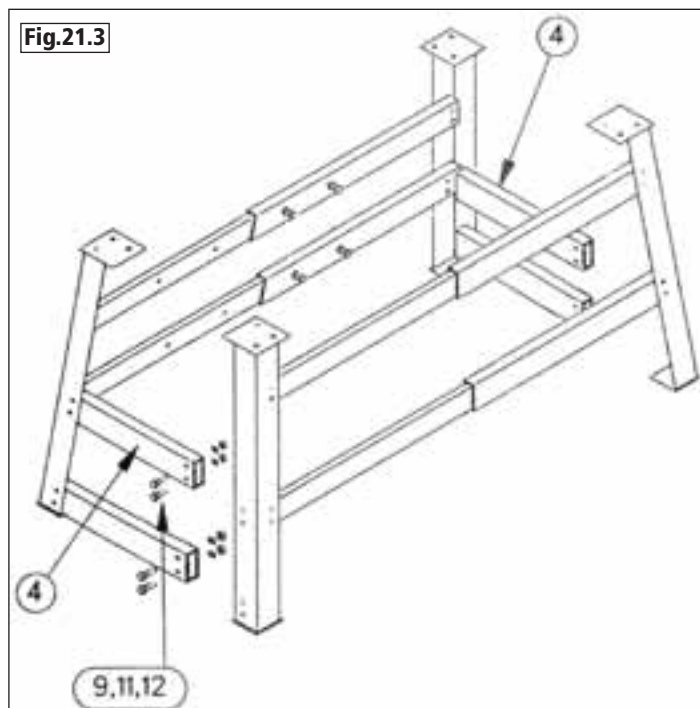
1. Assemble upper side rail (6) into (5) and lining up the relevant holes to suit the required lathe length (36"). Screw (14) 2 off into the nuts on (5) and locate into the holes in (6). Fully tighten.
2. Assemble the lower side rails in the same way. Slide (8) into (7) and locate bolts (14) through the nuts on (7) and into the relevant holes in (8). Fully tighten.
3. Bolt the ends of rails (5 and 7) to the leg (1) using fastenings (13, 11 and 12). Please note: all nuts and washers should be on the inside of the bench.
4. Bolt the ends of rails (6 and 8) to leg (2) using fastenings (9, 11 and 12).
5. Repeat for the remainder of the rails (5, 6, 7 and 8). Then legs (1 and 2). You now have 2 leg sub-assemblies.

6. Assemble the end rails (4 and 17) to the legs (1 and 2) with fasteners (9, 11 and 12). Ensure that the widest bolt hole centres in the end rail are nearest the bottom of the rail.



21. RPLB24-48 Assembly - cont.

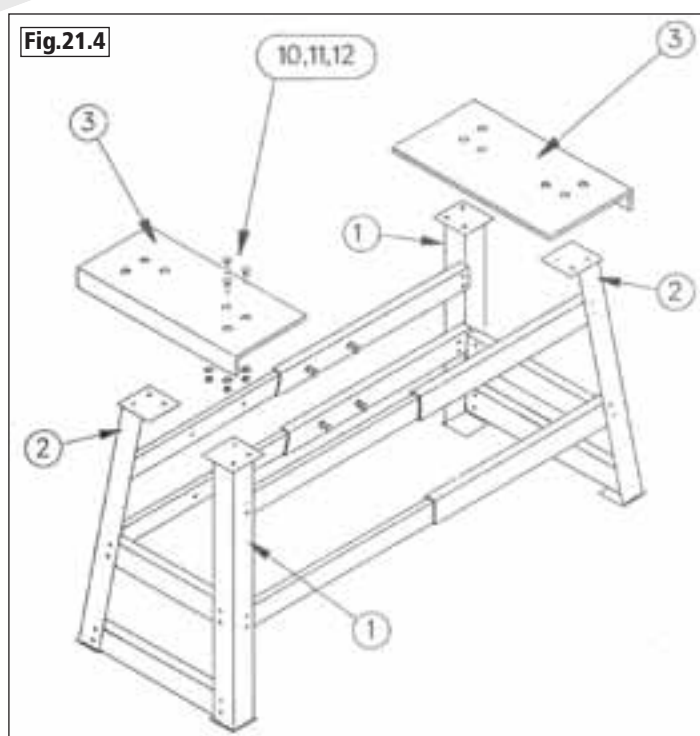
7. Assemble the second leg sub-assembly to the end rails (**4** and **17**) using fasteners (**9**, **11** and **12**).



8. Attach the two top plates (**3**) onto the legs (**1** and **2**) using the fasteners (**10**, **11** and **12**) in the corresponding holes in the leg tops.

9. Finally, fully tighten all nuts and bolts.

10. If the bench needs to be lengthened or shortened to suit a different Record Power lathe, this can be done by unscrewing the 8 M10 bolts (**14**), extending or retracting the bench, re-aligning the bolts (**14**) with the required holes in the inside rail and then fully re-tighten.



22. Fitting a Lathe to the RPLB24-48

Fitting a CL Series Lathe to the Bench



IMPORTANT: Ensure that the lathe is firmly fixed to the bench before use. If heavy duty turning is intended, the bench should be bolted to the floor by means of the holes in the bench feet. Use M10 or 3/8" dia. bolts.

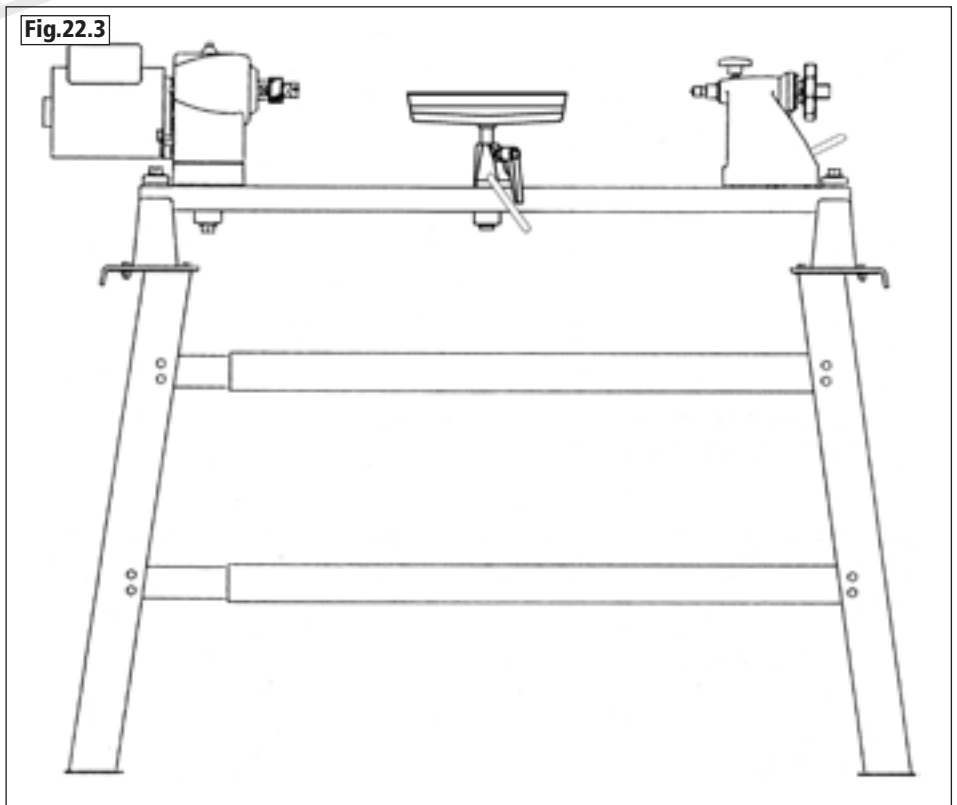
1. Ensure that the bench is assembled with nuts and bolts fully tightened before fitting the lathe.
2. Bolts (15) and washers (16) are used to fit the lathe to the bench in place of the bolts and cast washers supplied with the lathe which are not suitable.
3. For the CL3-CAM and CL4-CAM lathes use the holes in the top plates to bolt the lathe to the bench as indicated, **Fig 22.1**.
4. The hole marked with a star, **Fig 22.1**, is provided for fixing the optional end turning attachment CL3/B (see assembly instructions for CL3/B).

Fitting a DML36SH-CAM Lathe to the Bench

The DML36SH-CAM can be mounted on the bench at an angle using the holes in the top plates as indicated. Alternatively, additional holes can be drilled in order to mount it square. See **Fig 22.2**.



Please note: The maximum rigidity of the bench will not be achieved until the lathe is bolted firmly in position, **Fig 22.3**.



EU Declaration of Conformity

Cert No: EU / CL3 / 1

RECORD POWER LIMITED, Unit B, Adelphi Way, Ireland Industrial Estate, Staveley, Chesterfield, Derbyshire S43 3LS declares that the machinery described:-

- 1. Type: **Professional Woodturning Lathe**
- 2. Model No: **CL3-CAM & CL4-CAM**
- 3. Serial No

Conforms with the following directives:-

MACHINERY DIRECTIVE	2006/42EC
LOW VOLTAGE DIRECTIVE	2006/95EC
ELECTROMAGNETIC COMPATIBILITY DIRECTIVE and its subsequent amendments	2004/108EC EN55014-1:2006 EN55014-2:1997+A1 EN61000-3-2:2006 EN61000-3-3:1995+A1+A2



and complies with the relevant essential health and safety requirements.

Signed.....Dated: **01/10/2012**

Andrew Greensted
Managing Director

