

SPARE PARTS SECTION

SAND BLAST CABINET

Model. SB-100

Order Code S288

EDITION No : SB-100-1

DATE OF ISSUE : 04/2023

The following section covers the spare parts diagrams and lists that were current at the time this manual was originally printed. Due to continuous improvements of the machine, changes may be made at any time without notification.

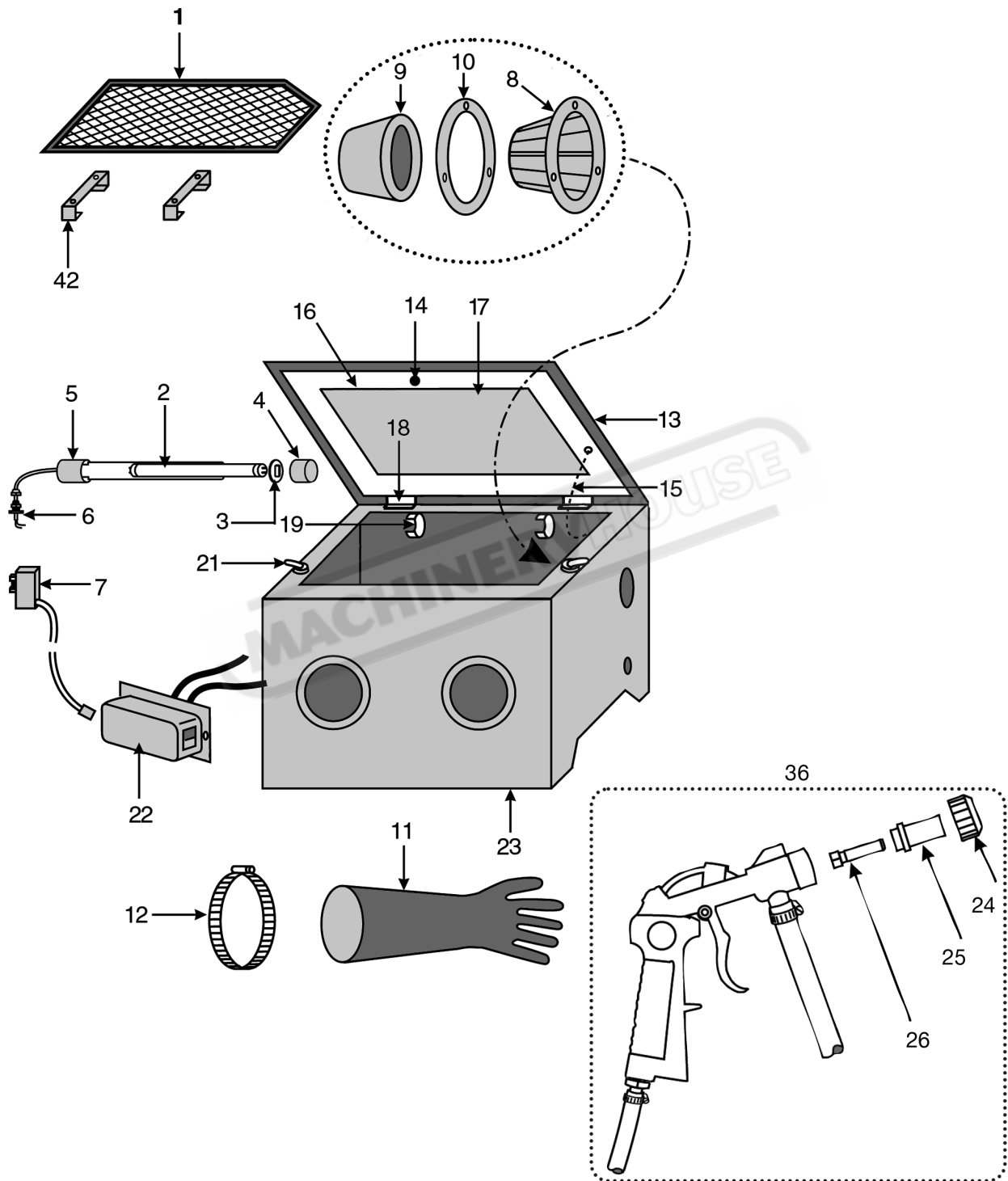
HOW TO ORDER SPARE PARTS

1. Have your machines **model number, serial number & date of manufacture** on hand, these can be found on the specification plate mounted on the machine
2. A scanned copy of your parts list/diagram with required spare part/s identified.

NOTE: SOME PARTS MAY ONLY BE AVAILABLE AS AN ASSEMBLY

3. Go to www.machineryhouse.com.au/contactus and fill out the inquiry form attaching a copy of scanned parts list.

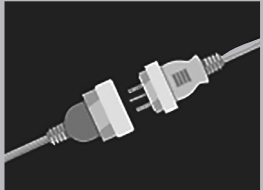
SPARE PARTS DIAGRAM



SPARE PARTS LIST

Item	DESCRIPTION	Item	DESCRIPTION
1	Grid	24	End Cap
2	Fluorescent Tube 12V	25	Abrasive Nozzle 4mm
3	End Connector	25	Abrasive Nozzle 5mm
4	Plastic cover	25	Abrasive Nozzle 6mm
5	Input Cable Assy*1	25	Abrasive Nozzle 7mm
6	Cable Gland assembly	26	Air Nozzle
7	Power Cable Assembly	27	O-Ring
8	Main Filter	28	Push Rod
9	Secondary Filter	29	Return Spring
10	Retaining disc.	30	Abrasive Intake Hose
11	Rubber Gloves (pair)	31	Air Hose Adapter
12	Worm Drive Clip	32	Worm Drive Clip
13	Clear Plastic Lid	33	Air Hose
14	Knob	34	Flat Washer
15	Lid Retaining Chain	35	Adapter Nut
16	Clear Plastic Window	36	Gun (includes items 24 and 26)
17	Window Retaining Strip	37	O-Ring
18	Lid Hinge	38	Plug
19	Florescent Tube Clip	39	Adapter
20		40	Abrasive Pickup
21	Lid Swivel Clamp	41	Worm Drive Clip
22	Cable Connection Box	42	Grid Foot
23	Cabinet only (minus lid)		

NOTE: SOME INDIVIDUAL PARTS MAY ONLY BE AVAILABLE AS AN ASSEMBLY



WARNING

Always disconnect the power to the machine before servicing or doing maintenance to the machine.