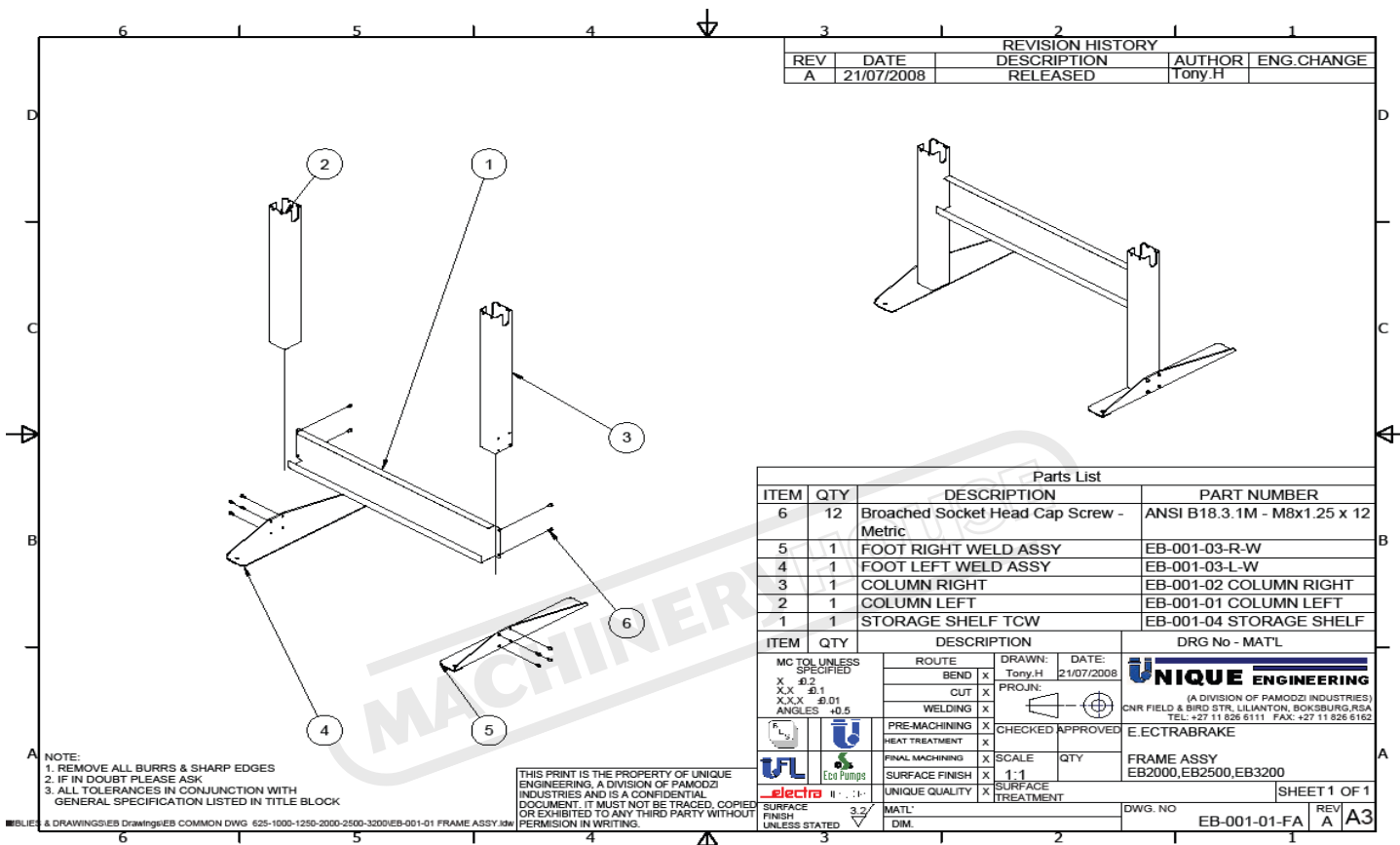


# FRAME ASSEMBLY AND PARTS LIST EB2000, EB2500, EB3200



REVISION HISTORY				
REV	DATE	DESCRIPTION	AUTHOR	ENG.CHANGE
A	21/07/2008	RELEASED	Tony.H	

Parts List			
ITEM	QTY	DESCRIPTION	PART NUMBER
6	12	Broached Socket Head Cap Screw - Metric	ANSI B18.3.1M - M8x1.25 x 12
5	1	FOOT RIGHT WELD ASSY	EB-001-03-R-W
4	1	FOOT LEFT WELD ASSY	EB-001-03-L-W
3	1	COLUMN RIGHT	EB-001-02 COLUMN RIGHT
2	1	COLUMN LEFT	EB-001-01 COLUMN LEFT
1	1	STORAGE SHELF TCW	EB-001-04 STORAGE SHELF

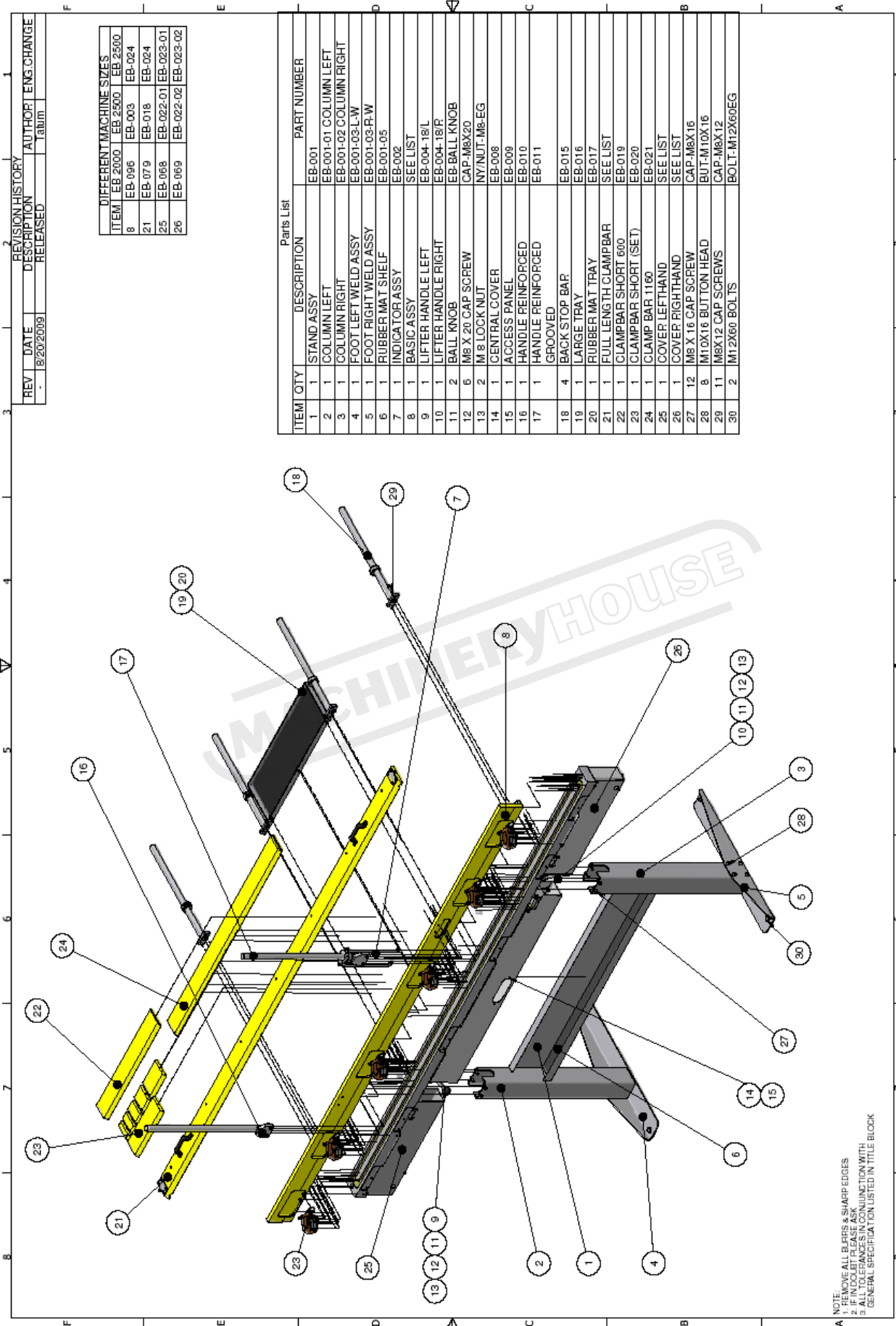
  

ITEM	QTY	DESCRIPTION	DRG No - MAT'L																				
<table border="0"> <tr> <td>MC TOL UNLESS SPECIFIED</td> <td>ROUTE</td> <td>DRAWN: Tony.H</td> <td>DATE: 21/07/2008</td> </tr> <tr> <td>X .0.2</td> <td>BEND</td> <td>X</td> <td></td> </tr> <tr> <td>X.X .0.1</td> <td>CUT</td> <td>X</td> <td></td> </tr> <tr> <td>X.XX .0.01</td> <td>WELDING</td> <td>X</td> <td></td> </tr> <tr> <td>ANGLES +0.5</td> <td></td> <td></td> <td></td> </tr> </table>				MC TOL UNLESS SPECIFIED	ROUTE	DRAWN: Tony.H	DATE: 21/07/2008	X .0.2	BEND	X		X.X .0.1	CUT	X		X.XX .0.01	WELDING	X		ANGLES +0.5			
MC TOL UNLESS SPECIFIED	ROUTE	DRAWN: Tony.H	DATE: 21/07/2008																				
X .0.2	BEND	X																					
X.X .0.1	CUT	X																					
X.XX .0.01	WELDING	X																					
ANGLES +0.5																							
<table border="0"> <tr> <td></td> <td>PRE-MACHINING</td> <td>X</td> <td>CHECKED APPROVED</td> </tr> <tr> <td></td> <td>HEAT TREATMENT</td> <td>X</td> <td></td> </tr> <tr> <td></td> <td>FINAL MACHINING</td> <td>X</td> <td>SCALE QTY</td> </tr> <tr> <td></td> <td>SURFACE FINISH</td> <td>X</td> <td>1:1</td> </tr> <tr> <td></td> <td>UNIQUE QUALITY</td> <td>X</td> <td>SURFACE TREATMENT</td> </tr> </table>			PRE-MACHINING	X	CHECKED APPROVED		HEAT TREATMENT	X			FINAL MACHINING	X	SCALE QTY		SURFACE FINISH	X	1:1		UNIQUE QUALITY	X	SURFACE TREATMENT	<p><b>UNIQUE ENGINEERING</b>                  (A DIVISION OF PAMODZI INDUSTRIES)                  CNR FIELD &amp; BIRD STR. LILJANTON, BOKSBURG, RSA                  TEL: +27 11 828 6111 FAX: +27 11 828 6162</p>	
	PRE-MACHINING	X	CHECKED APPROVED																				
	HEAT TREATMENT	X																					
	FINAL MACHINING	X	SCALE QTY																				
	SURFACE FINISH	X	1:1																				
	UNIQUE QUALITY	X	SURFACE TREATMENT																				
FRAME ASSY EB2000, EB2500, EB3200			SHEET 1 OF 1																				
DWG. NO EB-001-01-FA		REV A	A3																				

NOTE:  
 1. REMOVE ALL BURRS & SHARP EDGES  
 2. IF IN DOUBT PLEASE ASK  
 3. ALL TOLERANCES IN CONJUNCTION WITH GENERAL SPECIFICATION LISTED IN TITLE BLOCK

THIS PRINT IS THE PROPERTY OF UNIQUE ENGINEERING, A DIVISION OF PAMODZI INDUSTRIES AND IS A CONFIDENTIAL DOCUMENT. IT MUST NOT BE TRACED, COPIED OR EXHIBITED TO ANY THIRD PARTY WITHOUT PERMISSION IN WRITING.

EB-001-01-FA & DRAWINGS:EB Drawings:EB COMMON DWG 625-1005-1250-2000-2500-3200/EB-001-01 FRAME ASSY.IDW



REV	DATE	DESCRIPTION	AUTHOR	ENG. CHANGE
1	8/20/2009	RELEASED	Talim	

DIFFERENT MACHINE SIZES			
ITEM	EB 2000	EB 2500	EB 2500
8	EB-096	EB-003	EB-024
21	EB-079	EB-018	EB-024
25	EB-068	EB-022-01	EB-023-01
26	EB-069	EB-022-02	EB-023-02

ITEM	QTY	DESCRIPTION	PART NUMBER
1	1	STAND ASSY	EB-001
1	1	COLUMN LEFT	EB-001-01 COLUMN LEFT
1	1	COLUMN RIGHT	EB-001-02 COLUMN RIGHT
3	1	FOOT LEFT WELD ASSY	EB-001-03-L-W
4	1	FOOT RIGHT WELD ASSY	EB-001-03-R-W
5	1	RUBBER MAT SHELF	EB-001-05
6	1	INDICATOR ASSY	EB-002
7	1	BASIC ASSY	SEE LIST
8	1	LIFTER HANDLE LEFT	EB-004-18/L
9	1	LIFTER HANDLE RIGHT	EB-004-18/R
10	1	BALL KNOB	EB-004-18/R
11	2	M8 X 20 CAP SCREW	CAP-M8X20
12	6	M8 LOCK NUT	NY/NUT-M8-EG
13	2	CENTRAL COVER	EB-008
14	1	ACCESS PANEL	EB-009
15	1	HANDLE REINFORCED	EB-010
16	1	GROOVED	EB-011
17	4	BACK STOP BAR	EB-015
18	1	LARGE TRAY	EB-016
19	1	RUBBER MAT TRAY	EB-017
20	1	FULL LENGTH CLAMPBAR	SEE LIST
21	1	CLAMPBAR SHORT 600	EB-019
22	1	CLAMPBAR SHORT (SET)	EB-020
23	1	CLAMP BAR 1160	EB-021
24	1	COVER LEFT HAND	SEE LIST
25	1	COVER RIGHT HAND	SEE LIST
26	12	M8 X 16 CAP SCREW	CAP-M8X16
27	8	M10X16 BUTTON HEAD	BUT-M10X16
28	11	M8X12 CAP SCREWS	CAP-M8X12
29	2	M12X60 BOLTS	BOLT-M12X60EG

NOTE:  
 1. REMOVE ALL BURRS & SHARP EDGES  
 2. ALL DIMENSIONS IN CONJUNCTION WITH  
 3. ALL TOLERANCES IN CONJUNCTION WITH  
 GENERAL SPECIFICATION LISTED IN TITLE BLOCK

**PACKING LIST FOR EB0625****MACHINE SERIAL NUMBER**

PART NUMBERS	DESCRIPTION	QTY	CHECKED
EB-119	SAFETY CABLE ASSY	2	
EB0625-TEST PIECE	625 BENDER – TEST PIECE	1	
EB-097	BASIC ASSEMBLY 650	1	
EB-101	STAND ASSEMBLY 650/10	1	
EB-059	HANDLE 650/1000	1	
EB-054	BEAM EXTENSION 650	1	
EB-057	SWITCH ACTUATOR LIGHT	1	
EB-058	ANGLE ROD	1	
EB-052/L	TRAY LEFT 650 COMP	1	
EB-052/R	TRAY RIGHT 650 COMP	1	
EB-052-01	625 TRAY STOP CLAMP	2	
EB-102 (DECALS)	EB0625 630X65 BLK/RD ON	1	
EB-053	RUBBER MAT 650	1	
EB-250 RULER	EB0625 ALUMINIUM RULER	1	
EB-ELEC-650/PCB	EB 650 ELECTRICAL UNIT	1	
EB-012	STOP COLLAR	1	
EB-110/D	FUSE 3 VARIANT (10A) WA	1	
EB-089	CLAMP BAR 625 ASSY	1	
EB-020	CLAMP BARS (SHORT SET)	1	
ELEC476	CRIMP TERMINAL PINS 29	2	
EB-111-BACK	STICKER FOR ELECTRABRAKE	1	
EB-110-FRONT	STICKER FOR ELECTRABRAKE	1	
EB-112-LEFT	STICKER FOR ELECTRABRAKE	1	
EB-113-RIGHT	STICKER FOR ELECTRABRAKE	1	
ELEC474	SOCKET HOUSING 3 PIN 29	1	
FW-M10 EG	M10X1.2 FLAT WASHER GAL	4	
FW-M6 EG	M6X1.2 FLAT WASHER GAL	3	
P/O-WAS-8MM	8MM PUSH ON FIX WASHER	1	
PAN-M6X10	M6X10 POZI PAN HEAD SCREW	3	
SW-M6 EG	M6 SPRING WASHERS GALV	3	
A/KEY-M6	M6 ALLEN KEY LONG SERIES	1	
EB-650-CRATE	880X270X270 WOODEN CRATE	1	
CAP-M8X12 HT	M8X12 SOCK HEAD SCREW	5	
FW-M8 EG	M8X1.2 FLAT WASHER GALV	3	
CAP-M8X20	M8X20 SOCKET HEAD CAP S	3	

**PACKING LIST FOR EB1000 ELECTRABRAKE BENDING MACHINE****MACHINE SERIAL NUMBER**

PART NUMBERS	DESCRIPTION	QTY	CHECKED
EB1000-TEST PIECE	1000 BENDING TEST PIECE	1	
EB-119	SAFETY CABLE ASSY	2	
EB-098	BASIC ASSEMBLY 1000	1	
EB-101	STAND ASSEMBLY 650/1000	1	
EB-059	HANDLE 650/1000	1	
EB-062	BENDING BEAM EXTENSION	1	
EB-057	SWITCH ACTUATOR LIGHT	1	
EB-058	ANGLE ROD	1	
EB-016	LARGE TRAY	1	
EB-017	RUBBER MAT	1	
EB-015	BACK STOP BAR – ASSY	2	
EB-012	STOP COLLAR	3	
EB-103 (DECALS)	EB1000 1010X65 BLK/RD C	1	
EB-090	CLAMP BAR 1000 ASSY	1	
EB-019	CLAMP BAR 600 LONG	1	
EB-020	CLAMP BARS (SHORT SET)	1	
EB-ELEC-1000/PCB	1000 ELECTRICAL UNIT WI	1	
ELEC474	SOCKET HOUSING 3 PIN 29	1	
ELEC476	CRIMP TERMINAL PINS 29	2	
FW-M8 EG	M8X1.2 FLAT WASHER GAL	3	
P/O-WAS-8MM	8MM PUSH ON FIX WASHER	1	
EB-1000-CRATE	1170X270X270 WOODEN CRATE	1	
EB-110-FRONT	STICKER FOR ELECTRABRAKE	1	
EB-111-BACK	STICKER FOR ELECTRABRAKE	1	
EB-112-LEFT	STICKER FOR ELECTRABRAKE	1	
EB-113-RIGHT	STICKER FOR ELECTRABRAKE	1	
EB-250-RULER	EB0625 ALUMINIUM RULER	1	
A/KEY-M6	M6 ALLEN KEY LONG SERIES	1	
CAP-M8X12 HT	M8X12 SOCKET HEAD SCREW	7	
CAP-M8X16	M8X16 SOCKET HEAD CAP SCREW	2	
CAP-M8X20	M8X20 SOCKET HEAD CAP SCREW	4	
CAP-M8X25 HT	M8X25 CAP SCREWS HT	4	
EB-110/D	FUSE 3 VARIANT (10A) WA	1	

**PACKING LIST FOR EB1250 ELECTRABRAKE BENDING MACHINE****MACHINE SERIAL NUMBER**

<b>PART NUMBERS</b>	<b>DESCRIPTION</b>	<b>QTY</b>	<b>CHECKED</b>
EB-119	SAFETY CABLE ASSY	2	
EB1250-TEST PIECE	1250 BENDER TEST PIECE	1	
EB-099	BASIC ASSEMBLY 1250	1	
EB-100	STAND ASSEMBLY 1250	1	
EB-010	HANDLE REINFORCED	1	
EB-011	HANDLE REINFORCED & GROOVED	1	
EB-012	STOP COLLAR	3	
EB-015	BACK STOP BAR – ASSY	2	
EB-016	LARGE TRAY	1	
EB-017	RUBBER MAT	1	
EB-038	B/BEAM EXTENSION 1250	1	
EB-046	INDICATOR ANCHOR	1	
EB-039	COVER 1250 R/HAND	1	
EB-044	COVER 1250 L/HAND	1	
EB-047	ACCESS PANEL 1250	1	
EB-048	COLUMN BLOCK 1250	1	
EB-006	COVER END PLATE	2	
EB-002	INDICATOR ASSEMBLY H.D.	1	
EB-104 (DECALS)	1260X95 EB1250 BLK/RED	1	
EB-110-FRONT	STICKER FOR ELECTRABRAKE	1	
EB-111	START LABEL	1	
EB-111-BACK	STICKER FOR ELECTRABRAKE	1	
EB-112-LEFT	STICKER FOR ELECTRABRAKE	1	
EB-113-RIGHT	STICKER FOR ELECTRABRAKE	1	
EB-225 RULER	EB1250 ALUMINIUM RULER	1	
EB-019	CLAMP BAR 600 LONG	1	
EB-020	CLAMP BARS (SHORT SET)	1	
EB-ELEC-1250/PCB	1250 ELECTRICAL UNIT WI	1	
EB-HAR 1250/S	1250 HARNESS – SHORT	1	
EB-HARNESS 1250	1250-ELECTRICAL HARNESS	1	
ELEC474	SOCKET HOUSING 3 PIN 29	1	
ELEC476	CRIMP TERMINAL PINS 29	2	
EB-091	CLAMP BAR 1250 ASSY	1	
EB-1250-CRATE	1400X300X300 WOODEN CRA	1	
CAP-M8X30 EG	M8X30 CAP SCREWS GALV	4	
PAN-M6X10	M6X10 POZI PAN HEAD SCR	13	
R/BOLT-M12X60	M12X60 RAWL BOLT	2	
A/KEY-M6	M6 ALLEN KEY LONG SERIES	1	
CAP-M8X12 HT	M8X12 SOCK HEAD SCREW	7	
CAP-M8X16	M8X16 SOCKET HEAD CAP S	8	
CAP-M8X25 HT	M8X25 CAP SCREWS HT	7	
EB-110/D	FUSE 3 VARIANT (10A) WA	2	
PAN-M10X16	10X16 POZI S/T PAN HEAD	6	

**PACKING LIST FOR EB2000 ELECTRABRAKE BENDING MACHINE****MACHINE SERIAL NUMBER**

PART NUMBERS	DESCRIPTION	QTY	CHECKED
EB2000-TEST PIECE	2000 BENDER – TEST PIECE	1	
EB-119	SAFETY CABLE ASSY	2	
EB-096	BASIC ASSEMBLY 2000	1	
EB-001	STAND ASSY	1	
EB-002	INDICATOR ASSEMBLY H.D.	1	
EB-066	BEAM EXTENSION 2000 UNP	1	
EB-095	LIFTER MECHANISM 2000	1	
EB-011	HANDLE REINFORCED & GROOVED	1	
EB-012	STOP COLLAR	5	
EB-015	BACK STOP BAR – ASSY	4	
EB-016	LARGE TRAY	1	
EB-017	RUBBER MAT	1	
EB-006	COVER END PLATE	2	
EB-007	COLUMN BLOCK	2	
EB-008	COVER CENTRAL	1	
EB-009	ACCESS PANEL	1	
EB-068	COVER LEFT 2000	1	
EB-069	COVER RIGHT 2000	1	
EB-010	HANDLE REINFORCED	1	
EB-225 RULER	EB1250 ALUMINIUM RULER	1	
EB-105 (DECALS)	EB2000 2040X95 BLK/RED	1	
EB-110-FRONT	STICKER FOR ELECTRABRAKE	1	
EB-110/B	FUSE 3 VARIANT (20A) WA	1	
EB-111	START LABEL	2	
EB-111-BACK	STICKER FOR ELECTRABRAKE	1	
EB-112-LEFT	STICKER FOR ELECTRABRAKE	1	
EB-113-RIGHT	STICKER FOR ELECTRABRAKE	1	
EB-079	CLAMP BAR FULL LENGTH	1	
EB-019	CLAMP BAR 600 LONG	1	
EB-083	FOOT SWITCH ASSY	1	
EB-020	CLAMP BARS (SHORT SET)	1	
EB-021	CLAMP BAR 1160	1	
EB-ELEC-2.0/PCB	2MT ELECTRICAL UNIT	1	
EB-HAR 1250/S	1250 HARNESS – SHORT	1	
EB-HARNESS 2000	2000 ELECTRICAL HARNESS	1	
ELEC474	SOCKET HOUSING 3 PIN 29	1	
EB-2000-CRATE	2165X295X250 WOODEN CRATE	1	
ELEC476	CRIMP TERMINAL PINS 29	2	
PAN-M6X10	M6X10 POZI PAN HEAD SCR	24	
R/BOLT-M12X60	M12X60 RAWL BOLT	2	
A/KEY-M6	M6 ALLEN KEY LONG SERIES	1	
CAP-M8X12 HT	M8X12 SOCKET HEAD SCREW	44	
CAP-M8X16	M8X16 SOCKET HEAD CAP SCREW	44	
CAP-M8X20	M8X20 SOCKET HEAD CAP SCREW	20	
CAP-M8X30 EG	M8X30 CAP SCREWS GALV	8	
PAN-M10X16	10X16 POZI S/T PAN HEAD	6	

**PACKING LIST FOR EB2500 ELECTRABRAKE BENDING MACHINE****MACHINE SERIAL NUMBER**

PART NUMBERS	DESCRIPTION	QTY	CHECKED
EB-119	SAFETY CABLE ASSY	2	
EB2500-TEST PIECE	2500 BENDER – TEST PIECE	1	
EB-003	BASIC ASSEMBLY 2500	1	
EB-001	STAND ASSY	1	
EB-002	INDICATOR ASSEMBLY H.D	1	
EB-014	B-BEAM EXTENSION 2500	1	
EB-010	HANDLE REINFORCED	1	
EB-011	HANDLE REINFORCED & GROOVED	1	
EB-012	STOP COLLAR	5	
EB-015	BACK STOP BAR – ASSY	4	
EB-016	LARGE TRAY	1	
EB-017	RUBBER MAT	1	
EB-006	COVER END PLATE	2	
EB-007	COLUMN BLOCK	2	
EB-004	LIFTER MECHANISM 2500E	1	
EB-008	COVER CENTRAL	1	
EB-009	ACCESS PANEL	1	
EB-022-01	2500 COVER L/H	1	
EB-022-02	2500 COVER R/H	1	
EB-106 (DECALS)	EB2500 2540X95 BLK / RED	1	
EB-110-FRONT	STICKER FOR ELECTRABRAKE	1	
EB-110/B	FUSE 3 VARIANT (20A) WA	1	
EB-111	START LABEL	2	
EB-111-BACK	STICKER FOR ELECTRABRAKE	1	
EB-112-LEFT	STICKER FOR ELECTRABRAKE	1	
EB-113-RIGHT	STICKER FOR ELECTRABRAKE	1	
EB-225 RULER	EB1250 ALUMINIUM RULER	1	
EB-018	CLAMP BAR (FULL LENGTH)	1	
EB-019	CLAMP BAR 600 LONG	1	
EB-020	CLAMP BAR (SHORT SET)	1	
EB-021	CLAMP BAR 1160	1	
EB-083	FOOT SWITCH ASSY	1	
EB-ELEC-2.5/PCB	2.5MT ELECTRICAL UNIT	1	
EB-HAR 1250/S	1250 HARNESS – SHORT	1	
EB-HARNESS 2.5	2.5 ELECTRICAL HARNESS	1	
ELEC474	SOCKET HOUSING 3 PIN 29	1	
ELEC476	CRIMP TERMINAL PINS 29	2	
PAN-M10X16	10X16 POZI S/T PAN HEAD	6	
PAN-M6X10	M6X10 POZI PAN HEAD SCR	24	
R/BOLT-M12X60	M12X60 RAWL BOLT	2	
A/KEY-M6	M6 ALLEN KEY LONG SERIES	1	
CAP-M8X12 HT	M8X12 SOCK HEAD SCREW	11	
CAP-M8X16	M8X16 SOCKET HEAD CAP S	8	
CAP-M8X25 HT	M8X25 CAP SCREWS HT	16	
CAP-M8X30 EG	M8X30 CAP SCREWS GALV	8	
EB-2500-CRATE	2665X295X250 WOODEN CRATE	1	

**PACKING LIST FOR EB3200 ELECTRABRAKE BENDING MACHINE****MACHINE SERIAL NUMBER**

PART NUMBERS	DESCRIPTION	QTY	CHECKED
EB-119	SAFETY CABLE ASSY	2	
EB3200-TEST PIECE	3200 BENDER – TEST PIECE	1	
EB-024	BASIC ASSEMBLY 3200	1	
EB-001	STAND ASSY	1	
EB-002	INDICATOR ASSEMBLY H.D.	1	
EB-025	BENDING BEAM EXTENSION	1	
EB-028	LIFTER MECHANISM – 3200	1	
EB-010	HANDLE REINFORCED	1	
EB-011	HANDLE REINFORCED (GROOVED)	1	
EB-012	STOP COLLAR	5	
EB-015	BACK STOP BAR – ASSY	4	
EB-016	LARGE TRAY	1	
EB-017	RUBBER MAT	1	
EB-006	COVER END PLATE	2	
EB-007	COLUMN BLOCK	2	
EB-008	COVER CENTRAL	1	
EB-009	ACCESS PANEL	1	
EB-023-01	3200 COVER PLATE R/H	1	
EB-023-02	3200 COVER L/H	1	
EB-107 (DECALS)	EB3200 3240X95 BLK/RD C	1	
EB-110-FRONT	STICKER FOR ELECTRABRAKE	1	
EB-110/B	FUSE 3 VARIANT (20A) WA	1	
EB-111	START LABEL	2	
EB-111-BACK	STICKER FOR ELECTRABRAKE	1	
EB-112-LEFT	STICKER FOR ELECTRABRAKE	1	
EB-113-RIGHT	STICKER FOR ELECTRABRAKE	1	
EB-225-RULER	EB1250 ALUMINIUM RULER	1	
EB-026	CLAMPBAR FULL LENGTH	1	
EB-019	CLAMPBAR 600 LONG	1	
EB-020	CLAMPBARS (SHORT SET)	1	
EB-021	CLAMPBAR 1160	1	
EB-083	FOOT SWITCH ASSY	1	
EB-118	SUPPORT LEG ASSEMBLY	2	
EB-3200-CRATE	3365X295X250 WOODEN CRATE	1	
EB-ELEC-3.2/PCB	3.2MT ELECTRICAL UNIT	1	
EB-HAR 1250/S	1250 HARNESS – SHORT	1	
EB-HARNESS 3.2	3.2 ELECTRICAL HARNESS	1	
ELEC474	SOCKET HOUSING 3 PIN 29	1	
ELEC476	CRIMP TERMINAL PINS 29	1	
PAN-M10X16	10X16 POZI S/T PAN HEAD	6	
PAN-M6X10	M6X10 POZI PAN HEAD SCR	24	
R/BOLT-M12X60	M12X60 RAWL BOLT	2	
A/KEY-M6	M6 ALLEN KEY LONG SERIES	1	
CAP-M8X12	M8X12 SOCKET HEAD CAP S	1	
CAP-M8X16	M8X16 SOCKET HEAD CAP S	15	
CAP-M8X25 HT	M8X25 CAP SCREWS HT	15	