



## OPERATION MANUAL

# SPARE PARTS SECTION

The following section covers the spare parts diagrams and lists that were current at the time this manual was originally printed. Due to continuous improvements of the machine, changes may be made at any time without notification.

### HOW TO ORDER SPARE PARTS

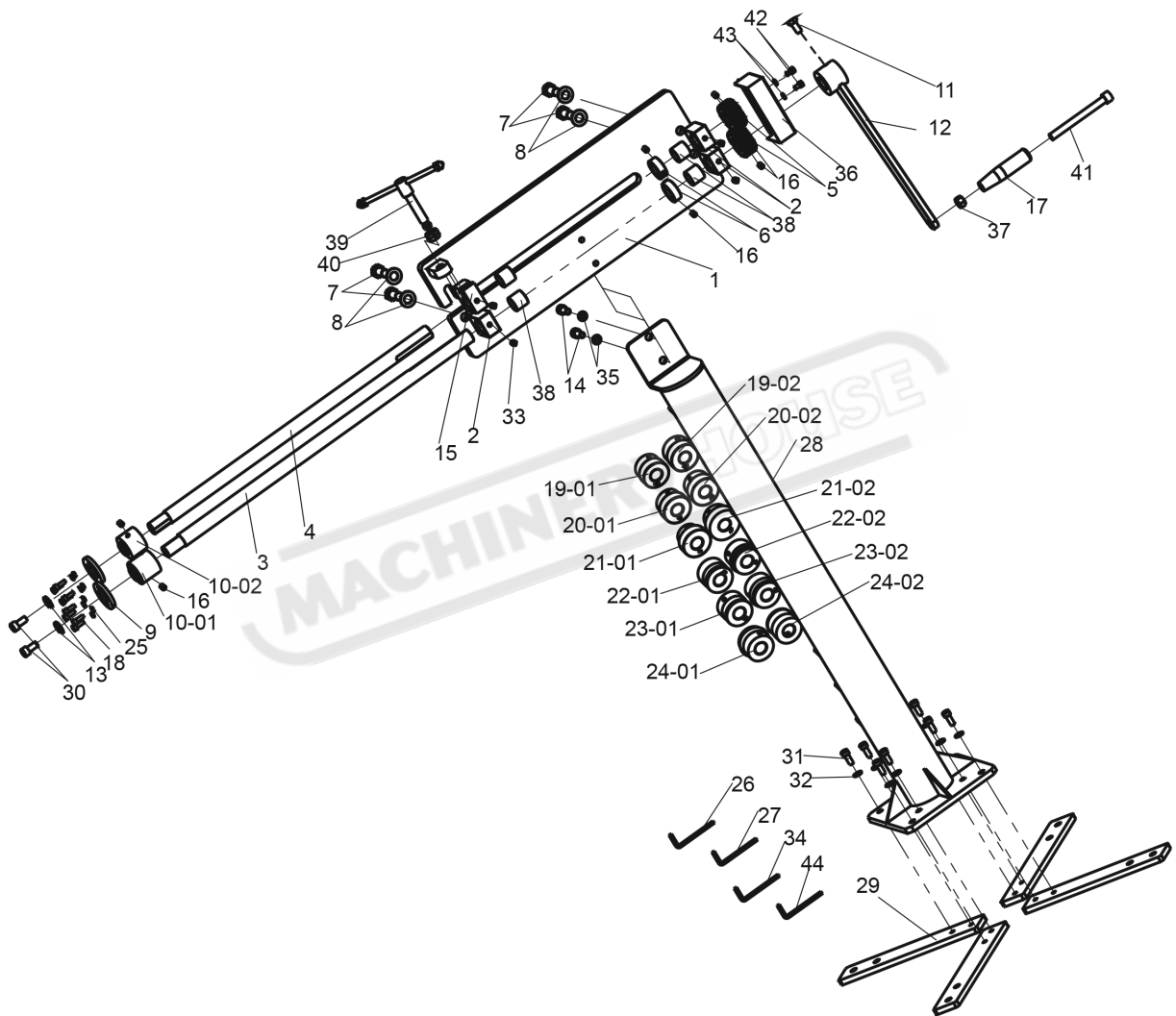
1. Have your machines **model number, serial number & date of manufacture** on hand, these can be found on the specification plate mounted on the machine
2. A scanned copy of your parts list/diagram with required spare part/s identified
3. Go to [www.machineryhouse.com.au/contactus](http://www.machineryhouse.com.au/contactus) and fill out the inquiry form attaching a copy of scanned parts list.





# OPERATION MANUAL

## SPARE PARTS DIAGRAM





## OPERATION MANUAL

### SPARE PARTS LIST

Part No.	Description	Qty.	Part No.	Description	Qty.
1	Base	1	22-02	6mm Flange Die	1
2	Roll Block	3	23-01	3mm Flange Die	1
3	Driving Shaft	1	23-02	3mm Flange Die	1
4	Driven Shaft	1	24-01	2mm Flange Die	1
5	Gear	2	24-02	2mm Flange Die	1
6	Collar	2	25	Spring Washer 6mm	8
7	Bolt M14x30	4	26	Hex Key Wrench 4mm	1
8	Washer 14mm	4	27	Hex Key Wrench 5mm	1
9	Cutting Plate	2	28	Stand	1
10-01	Long Cutting Die	1	29	Plate	4
10-02	Short Cutting Die	1	30	Screw M10X20	2
11	Bolt M10X20	1	31	Screw M8X20	8
12	Handle	1	32	Washer 8mm	8
13	Washer	2	33	Oil Cup	4
14	Screw M10X20	2	34	Hex Key Wrench 8mm	1
15	Front Roll Block	1	35	Washer 10mm	2
16	Screw M8x10	18	36	Gear Cover	1
17	Handle Cover	1	37	Nut M121	1
18	Screw M6x16	8	38	Bushing 4	4
19-01	12mm Half-Round Die(Convex)	1	39	Adjustment Handle	1
19-02	12mm Half-Round Die(Concave)	1	40	Nut M142	2
20-01	10mm Half-Round Die(Convex)	1	41	Screw M12X110	1
20-02	10mm Half-Round Die(Concave)	1	42	Screw M6x10	2
21-01	6mm Half-Round Die(Convex)	1	43	Washer 6 mm	2
21-02	6mm Half-Round Die(Concave)	1	44	Hex Key Wrench 6 mm	1
22-01	6mm Flange Die	1			

### DIE SELECTION

**Note:** Dies are larger than shown in this illustration

1/4" (6.35)mm Half  
Round Die (21#)



3/8" (9mm) Half  
Round Die (20#)



1/2" (12.7mm) Half  
Round Die (19#)



1/16" (1.6mm) Flange  
Die (24#)



1/8" (3mm) Flange  
Die (23#)



1/4" (6.35mm) Flange  
Die (22#)

