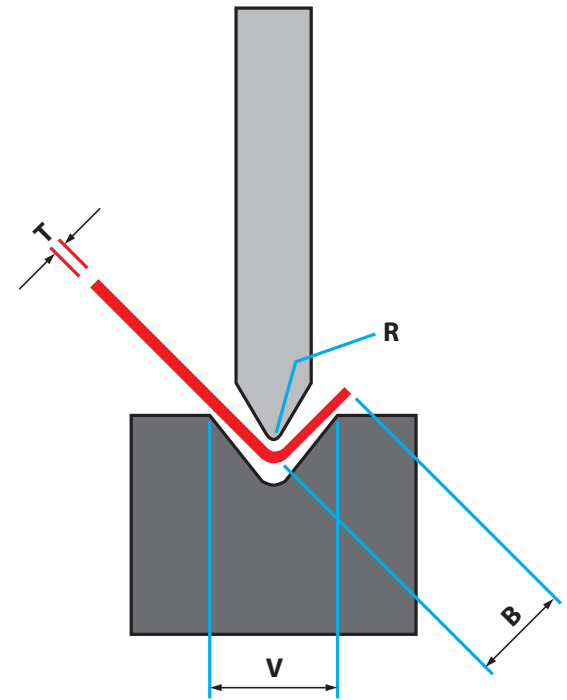


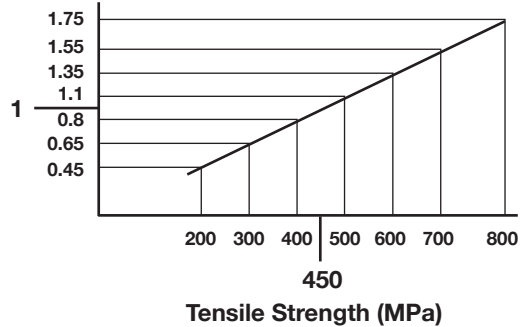
BENDING FORCE CHART

PLATE THICKNESS (mm)			0.5	0.8	1	1.2	1.5	1.8	2	2.5	3	4	5	6	8	10	12	15	20	32	
V	R	B																			
4	0.7	2.6	4	10.5																	
8	1.5	5.2	2	5.5	8	11.5	18														
10	1.7	6.5		4.1	6.5	9.5	14.5	21	26												
12	2	7.8			5.5	8	12	17.5	21.5	33.5											
16	2.7	10.4				6	9	13	16	25	36										
20	3.4	13					7.5	10.5	13	20	29	52									
25	4.2	16						8.5	10.5	16	23	41	64								
30	5	20								14	19	34	54	77							
35	6	23									17	30	46	66							
40	7	26									15	26	40	58	103						
45	7.5	29										23	36	52	91						
50	8.5	32										21	32	46	82	128					
55	9	36											30	42	75	117					
60	10	39											27	39	69	107					
65	10.8	42											25	36	63	99	142				
70	11.7	45												33	59	92	132				
75	12.5	49												31	55	86	123				
80	13.5	52												29	52	80	116	180			
85	14	55													49	76	109	170			
90	15	58													46	71	103	160			
100	17	65													41	64	93	144	256		
110	18.5	71														59	84	131	233		
120	20	78														54	77	120	213	333	
140	24	100															66	103	183	286	
170	29	120																55	85	151	235
200	35	145																	72	128	200
250	44	180																		108	169

Tonne/Metre



Correction Factor



100% Australian Owned Est. 1930



"Setting the standard for quality & value"

SYDNEY Ph: (02) 9890 9111
 BRISBANE Ph: (07) 3274 4222
 MELBOURNE Ph: (03) 9212 4422
 PERTH Ph: (08) 9373 9999

www.machineryhouse.com.au