

INSTRUCTION MANUAL FOR WATER COOLER

WC-300B & WRC-500 WATER COOLER

CONTENTS:

- 1) TECHNICAL DATA
- 2) INTRODUCTION
- 3) PRECAUTIONS
- 4) INTRODUCTION OF PANEL, INSTALLATION AND MAINTENANCE
- 5) PACKING LIST

1) TECHNICAL DATA

MODEL DATA	WC-300B CODE: 1901-X
INPUT	380 or 220 or 110V 50/60Hz
MOTOR	260W
COOLING CAPACITY	1.6kW(1L/Min)
DUTY CYCLE	100%
MAX PRESSURE	3BAR
TANK CAPACITY	9 LITER
FLOW RATE	8.5/MINUTE AT 6mH
OPERATION EMPERATURE	20°C~60°C
DIMENSION	482(L)x273(W)x370(H)mm
NET WEIGHT	14KG
System of Protection	IP21

2) INTRODUCTION

ADOPTED ITALIAN WATER SEALED, HIGH-POWERED BRASS PUMP, WITH OUR MORE THAN TEN YEARS' WELDING EXPERIENCE, THE WATER COOLER ENJOY SUPERIOR QUALITY AND CAPABILITY.

FEATURES

STAINLESS STEEL (long life for torch) PUMP, CORROSION FREE.



NO PRIMING REQUIRED, QUICK FILL IN & DRAIN OUT

SIMPLE MAINTENANCE

∅ 200mm FAN FOR THE BIG RADIATOR, NO WATER LEAKAGE GUARANTEE

3) PRECAUTIONS

1. For long time not using the cooler, Re-start the motor and make sure the water is pumped out to

- prevent water cooling torch damaged.
2. Make sure the tank is filled with enough clean water and all the connectors is fixed firmly. Always sure the water tank is kept enough water over the safety line. Pump may be damaged while the tank is without water.
 3. Make sure the input voltage is correct. See the technical data. Or motor may be burn out!
 4. If the motor works well (there is windy from the radiator), but the water draining is small or no water, please pump in pressure air from compressor to inlet or outlet for 20seconds.
 5. When the motor can't work:
 - a. The input voltage is too low, please change the electric supply.
 - b. When the starting capacitor is burn out, please change a new one.
 - c. The pump can't work if the motor stop long time. Please pump air into the INPUT  or OUTPUT  for 20sec. Make the pump work again.
 - d. The motor has to be replaced if it is burnt out.
 6. When this equipment incline too much, the water in tank may overflow, the motor pump becomes a short lifetime.
 7. This equipment is used for cooling the torch of welder, so that the torch doesn't burn-up for the over high temperature. The cooling fluid must be pure water or distilled water to avoid the torch or cuprum walls up and burn-up the torch. Please add water upper warn line, when the water under the warn line 3CM. If the water in tank has been used for a long time and very dirty, please open the cover under the bottom of the tank and change the new water.
 8. Because there is a motor in the equipment, the water cooler can't be used in the rain. No water is allowed to come in the loop of the motor avoiding a shortage to burn-up the motor.

4) INTRODUCTION OF PANEL, INSTALLATION AND MAINTENANCE

INSTALLATION:

1. Confirm the input voltage .(380 or 220 or 110V,see the nameplate that on the machine)
2. Insert the OUTLET of the water cooler into the INLET of the welding machine
3. Insert the INLET of the water cooler into the OUTLET of the welding machine

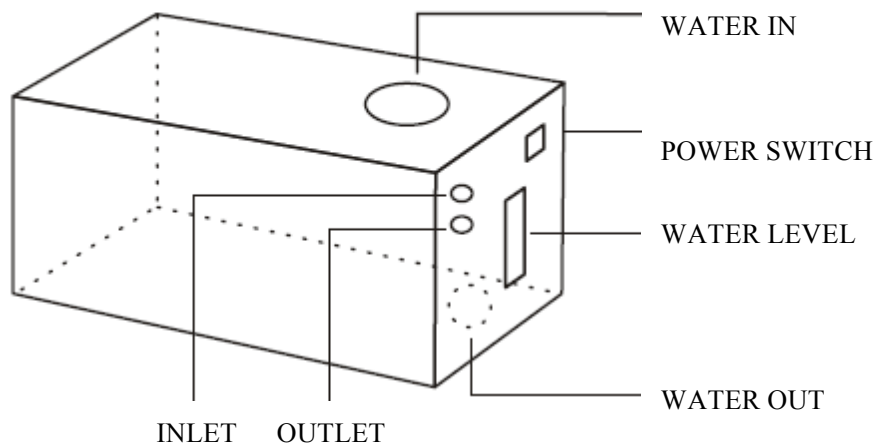


ILLUSTRATION EXPLODED OF WATER COOLER 1901-X

NO	Code	Description	13	SD055002	water pipe
1	EW055920-5-1	top case	14	SS055002	water tank
2	ED055000-1	radiator	15	SC055001	handle
3	EW055920-5-2	bottom case	16	EW055223	holder for tank
7	XD063001	power cord	17	JC062000	quick connector(male)
8	SD055000	water pipe	18	JC062001	inlet connector(quick connector female / Φ8 red)
9	JC055002 (OPTIONAL)	inlet connector	19	JC062002	outlet connector(quick connector female /Φ8 blue)
10	KE055004	power switch	26	SS062000	big tank cover
11	JC055004 (OPTIONAL)	outlet connector	27	SS062001	small tank cover
12	EW055222	holder for motor	28	SS063000	washer for small tank cover

NO	Code	Description	NO	Code	Description
30	MB055002	110V motor set	4	MB055000	fan
	MB055003	220V motor set	5	MB055020	110V motor body(OPTIONAL)
	MB055005	380V motor set		MB055010	220V motor body(STD)
				MB055030	380V motor body(OPTIONAL)
			6	MB064000	input cable box
			23	MB064001	fan socket
			24	MB055021	drive capacitor for 110V motor(OPTIONAL)
				MB055011	drive capacitor for 220V motor(STD)
		MB055031		drive capacitor for 380V motor(OPTIONAL)	
		25	MB055004	pump head	
		29	MB055013	rubber close circle for pump	

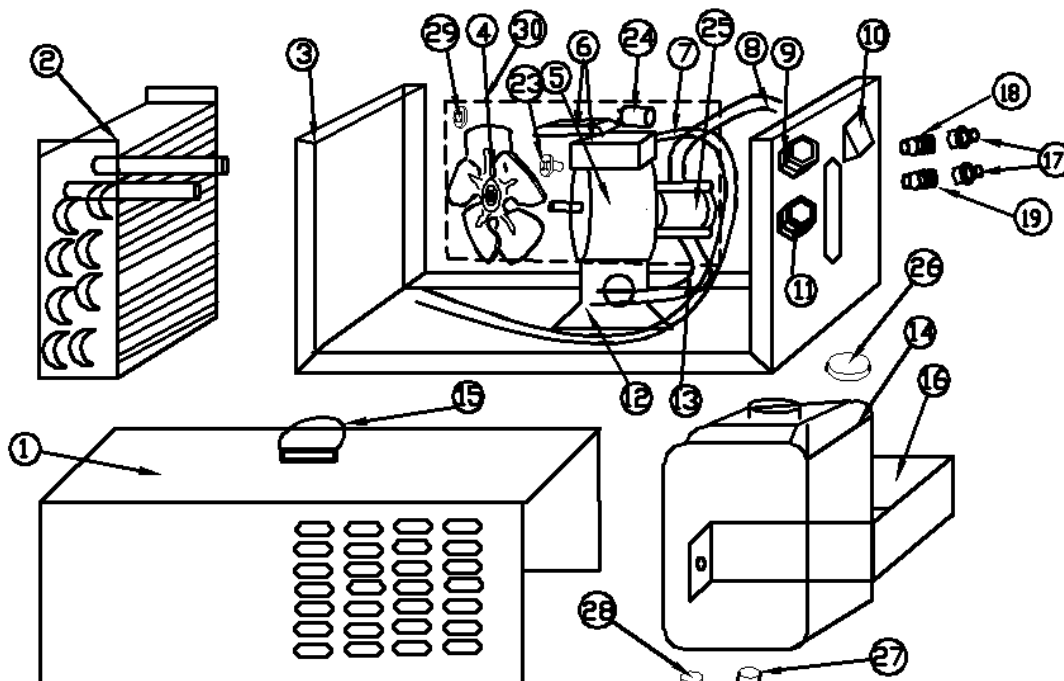
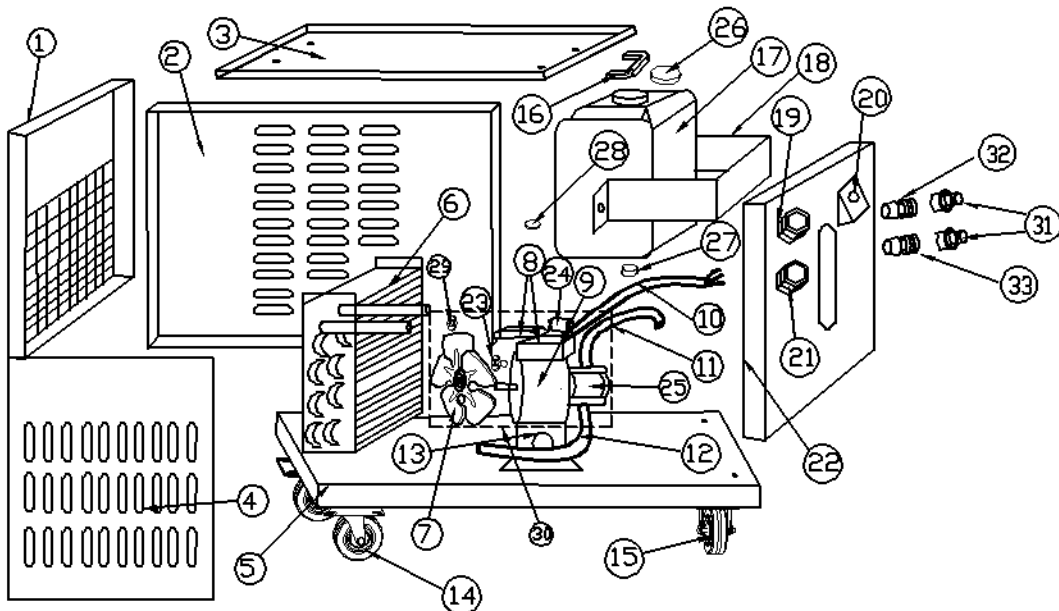


ILLUSTRATION EXPLODED OF WATER COOLER 1904-X

NO	Code	Description	16	SC055003	handle
1	EW055235	back panel	17	SS055001	water tank
2	EW055925-2-3	right panel	18	EW055237	holder for tank
3	EW055925-2-4	top case	19	JC055002	inlet connector (OPTIONAL)
4	EW055925-2-2	left panel	20	KE055004	power switch
5	EW055925-2-1	bottom board	21	JC055004	outlet connector (OPTIONAL)
6	ED055001	radiator	22	EW055230	front panel
10	XD063001	power cord	26	SS062000	big tank cover
11	SD055000	water pipe	27	SS062001	small tank cover
12	SD055002	water pipe	28	SS063000	washer for small tank cover
13	EW055222	holder for motor	31	JC062000	quick connector (male)
14	SG055001	back fixed wheel	32	JC062001	inlet connector(quick connector female / Φ 8 red)
15	SG055000	front swivel caster	33	JC062002	outlet connector(quick connector female / Φ 8 blue)

NO	Code	Description	NO	Code	Description
30	MB055002 MB055003 MB055005	110V motor set 220V motor set 380V motor set	7	MB055000	fan
			9	MB055020 MB055010 MB055030	110V motor body(OPTIONAL) 220V motor body(STD) 380V motor body(OPTIONAL)
			8	MB064000	input cable box
			23	MB064001	fan socket
			24	MB055021 MB055011 MB055031	drive capacitor for 110V motor(OPTIONAL) drive capacitor for 220V motor(STD) drive capacitor for 380V motor(OPTIONAL)
			25	MB055004	pump head
			29	MB055013	rubber close circle for pump



MAINTENANCE:

1. Keep the interior dry and clean
2. Adding or changing the water in time
3. Open the trunk every half a year, clean the interior with the air gun of the compressor