

SPARE PARTS SECTION

DUST COLLECTOR

Model. DC-2

Order Code W332

Edition No : DC2-1

Date of Issue : 09/2021

The following section covers the spare parts diagrams and lists that were current at the time this manual was originally printed. Due to continuous improvements of the machine, changes may be made at any time without notification.

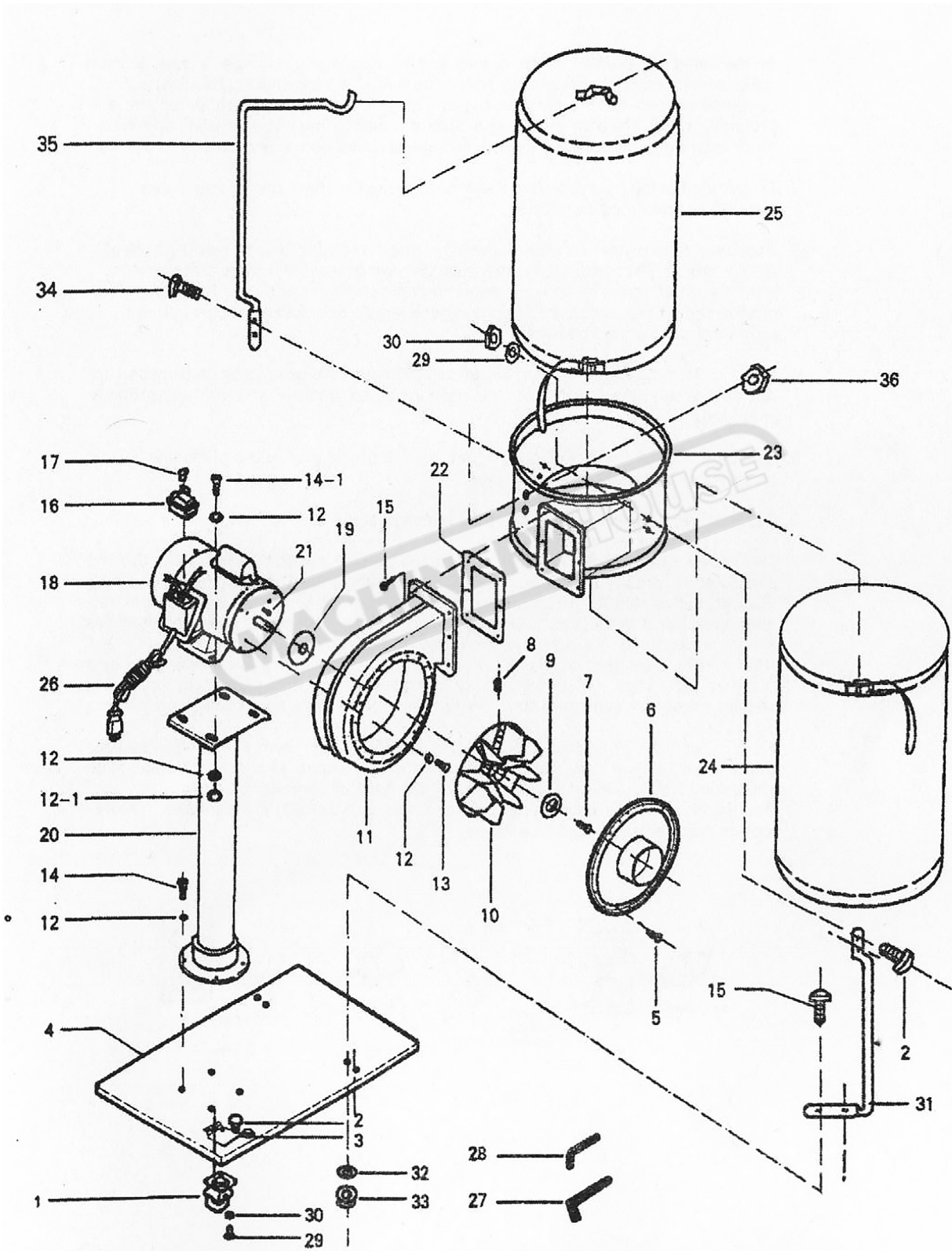
HOW TO ORDER SPARE PARTS

1. Have your machines **model number, serial number & date of manufacture** on hand, these can be found on the specification plate mounted on the machine
2. A scanned copy of your parts list/diagram with required spare part/s identified.

NOTE: SOME PARTS MAY ONLY BE AVAILABLE AS AN ASSEMBLY

3. Go to www.machineryhouse.com.au/contactus and fill out the inquiry form attaching a copy of scanned parts list.

SPARE PARTS DIAGRAM



SPARE PARTS LIST

No.	Description	Size	Qty
1	CASTER		4
2	SCREW PAN. HD.	M5 x 16	20
3	SPRING WASHER	Ø5	16
4	BASE PLATE		1
5	SCREW PAN. HD.	M5 x 10	12
6	INLET COVER		1
7	SCREW HEX. SOC. HD.	M6 x 20 L (L H.)	1
8	SET SCREW SOC. HD.	M8 x 10	2
9	WASHER		1
10	TURBO FAN		1
11	COLLECTOR BODY		1
12	WASHER	Ø8	16
12-1	NUT	M8	4
13	SCREW HEX. HD.	M8 x 10	4
14	SCREW HEX. HD.	M5 x 15	4
14-1	SCREW HEX. HD.	M8 x 15	4
15	SCREW HEX. FLG. HD.	M6 x 15	10
16	SWITCH		1
17	KEY SWITCH		1
18	MOTOR		1
19	PACKING		1
20	COLUMN & MOTOR PLATE		1
21	KEY	5mm x 5mm x 30mm	1
22	PACKING		1
23	COLLECTOR		1
24	COLLECTOR BAG		1
25	FILTER BAG		1
26	POWER CORD		1
27	WRENCH HEX	4mm	1
28	WRENCH HEX.	5mm	1
29	SPRING WASHER	Ø5	16
30	NUT	M5	20
31	BRACKET		2
32	WASHER	Ø6	4
33	NUT	M6	4
34	SCREW	M4 x 5	2
35	POLE		1
36	NUT	M4	2

NOTE: SOME INDIVIDUAL PARTS MAY ONLY BE AVAILABLE AS AN ASSEMBLY