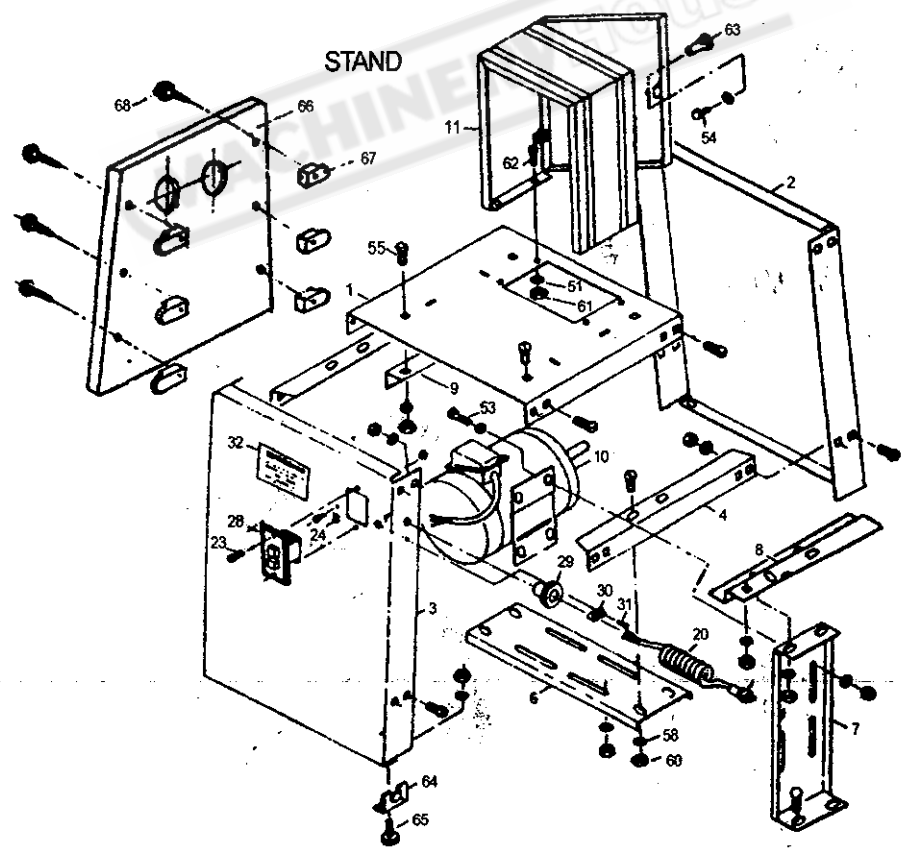
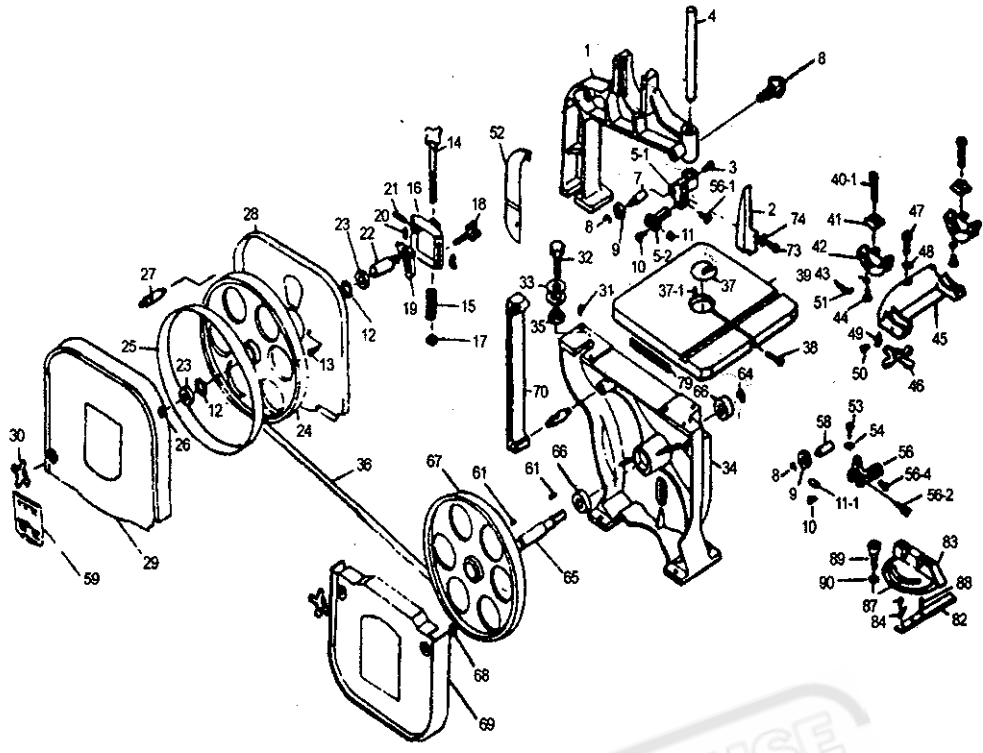
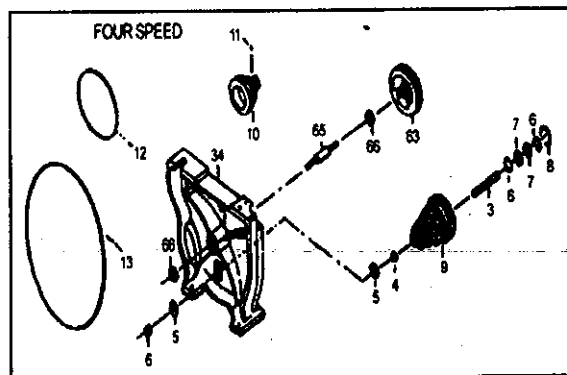
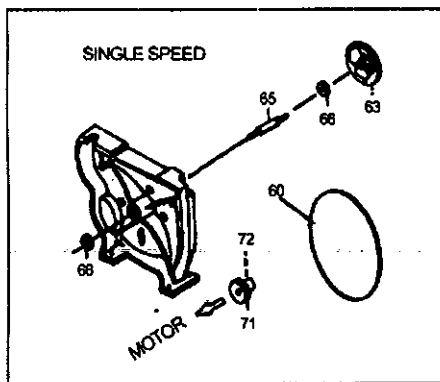


ASSEMBLY DIAGRAM & PARTS LIST

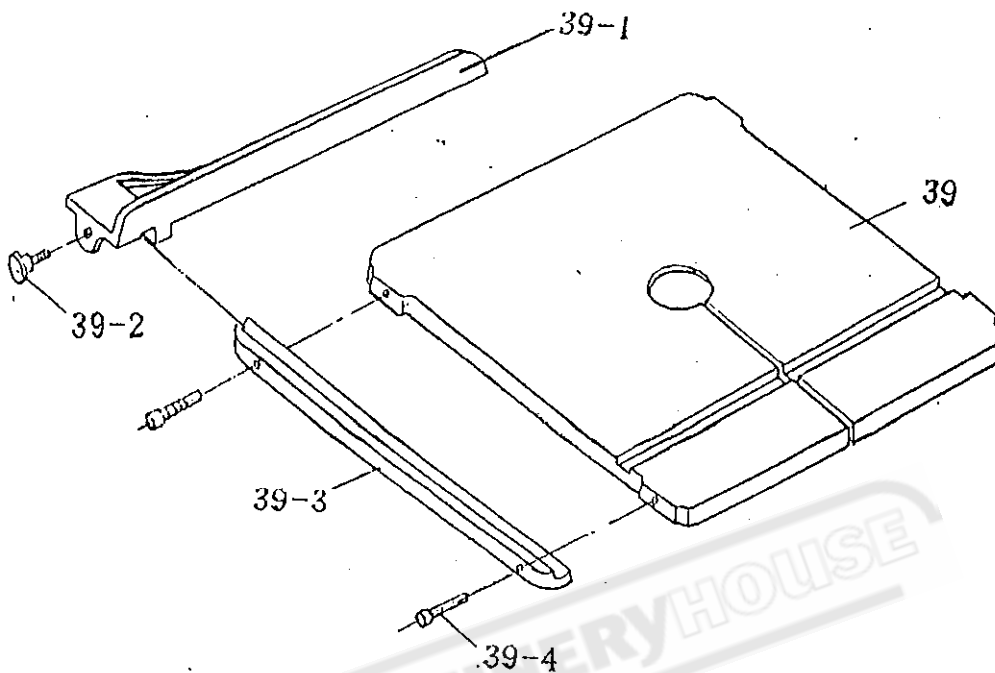


Part No.	Description	Q' ty	Part No.	Description	Q' ty
	Bandsaw Main Frame		100042	Trunnion	2
110001	Upper Frame Arm	1	100043	F.Washer	6
110002	Upper Wheel Saw Guard	1	100044	H.Bolt	6
110003	H.Bolt	1	110045	Trunnion Support Bracket	1
110004	Guide Post	1	110046	Knob Nut	2
100005-1	A.Upper Support Bracket Post.	1	110047	H.Bolt	2
100005-2	B.Support Bracket for Upper Guide	1	110048	Spring Washer	2
110006	Knob	1	110049	Pointer Rod	1
100007	Upper Spacing Sleeve	2	100050	P.H.Screw	1
100008	Stop Ring	1	100051	Scale	1
100009	Bearing 6200ZZ	2	100052	Side Cover	1
100010	H .Bolt	4	100053	H.Bolt	2
100011	Blade Guide	2	100054	F.Washer	2
100012	Retaining Ring	2	100055	Lower Support Bracket Post	1
100013	P.H. Screw	2	100056-1	Knob Screw	2
100014	Blade Adjusting Screw	1	100056-2	Knob Screw	1
100015	Coil Spring	1	100056-4	Knob Screw	1
100016	Upper Wheel Sliding Brkt.	1	100057	Nut	1
100017	Square Nut	1	110058	Blade Guide	2
100018	Knob Screw	1	110059	Name Plate	1
100019	Upper Wheel Shaft Hinge	1	100061	Key	2
100020	Spring Pin	1	100062	H.Bolt	1
100021	Steel Pin	2	100064	Retaining Ring	1
100022	Upper Wheel Shaft	1	110065	Lower Wheel Shaft	1
100023	Bearing 6202Z	2	100066	Bearing 6204Z	2
100024	Upper Wheel	1	100067	Lower Wheel	1
100025	Wheel Protector	2	100068	Nut	1
100026	Nut	1	100069	Lower Wheel Guard	1
100027	Stud	4	100070	Blade Guard	1
100028	Upper Wheel Guard(Inner)	1	100071	Motor Pulley	1
100029	Upper Wheel Guard(Outer)	1	100072	Set Screw	1
100030	Knob Nut	4	100073	H.Bolt	2
100031	Spring Pin	4	100074	F.Washer	2
100032	H.Bolt	1	100079	Table Label	1
100033	F.Washer	2	100082	Scale	1
110034	Base	1	100083	Guide Plate	1
100035	Nut	1	100084	Pointer	1
100036	Saw Blade	1	100087	P.H.Screw	1
100037	Table Insert	1	100088	Spring Pin	1
100037-1	Spring Pin	1	100089	Knob	1
100038	Table Pin	1	100090	F.Washer	1
100039	Table	1			
100040-1	H.Bolt	2			
100041	Trunnion Clamp shoe	2			

Part No.	Description	Q' ty	Part No.	Description	Q' ty
STAND PARTSLIST					
110101	Face Plate	1	110165	Pad	4
110102	Stand Legs(A)	1	110166	Retaining Plate	2
110103	Stand Legs(B)	1	110167	Presser Block	12
110104	Supporting Plate	2	110168	Self-tapping Screw	12
110106	Base Motor Plate	1	SINGLE SPEED PARTS LIST		
110107	Motor Fastening Plate	1	110060	V Belt A.50	1
110108	Motor Plate Bracket	1	110063	Belt Pulley	1
110109	Stiffening Plate	1	110065	Shaft	1
110110	Motor	1	110066	Bearing 6204Z	2
110111	Pulley Box	1	110071	Motor Pulley	1
110120	Power Cord	1	110072	Set Screw	1
110123	P.H.Screw	2	FOUR SPEED PARTS LIST		
110124	Grounding Lable	1	110034	Base	1
110128	Switch	1	110063	Belt Pulley	1
110129	Gord Bushing	1	110065	Shaft	1
110130	Bush	1	110066	Bearing 6204Z	2
110131	P.H.Screw	1	120203	Shaft	1
110132	Warning Lable	1	120204	Nut	2
110153	H.Bolt	4	120205	F.Washer	2
110154	H.Bolt	4	120206	Retaining Ring	2
110155	Square Neck Bolt	28	120207	Bearing 6202Z	2
110157	Spring Washer	4	120208	Retaining Ring	1
110158	F.Washer	49	140409	Middle Pulley	1
110160	Nut	41	140410	Motor Pulley	1
110161	Nut	4	140411	Set Screw	1
110162	P.H.Screw	4	140412	V-Belt A22	1
110163	Knob	1	140413	V-Belt A38	1
110164	L.Shape Fixed Plate	4			



The Manual of Table's Guide Plate



No.	Des.	Q' TY
39-1	Sliding Guide Plate	1
39-2	Screw Plug	1
39-3	Guide Plate	1
39-4	Screw	2