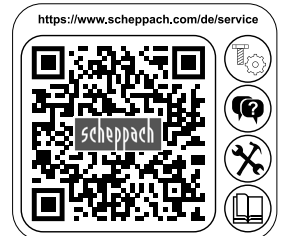


Art.Nr.
5906303904
AusgabeNr.
5906303850
Rev.Nr.
17/08/2022



HD12

MADE IN CHINA

GB

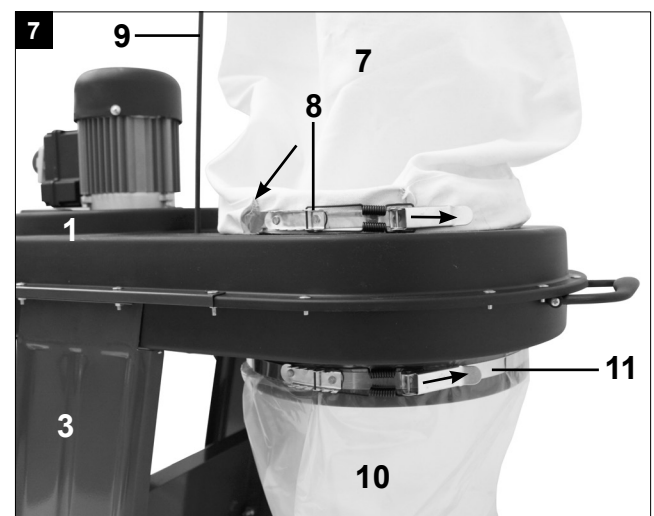
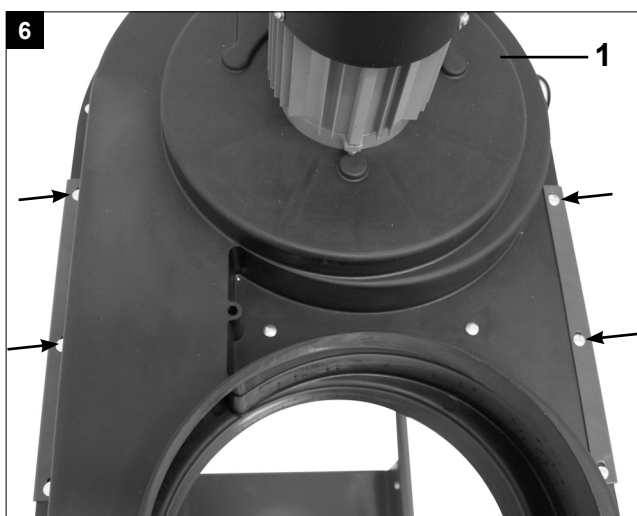
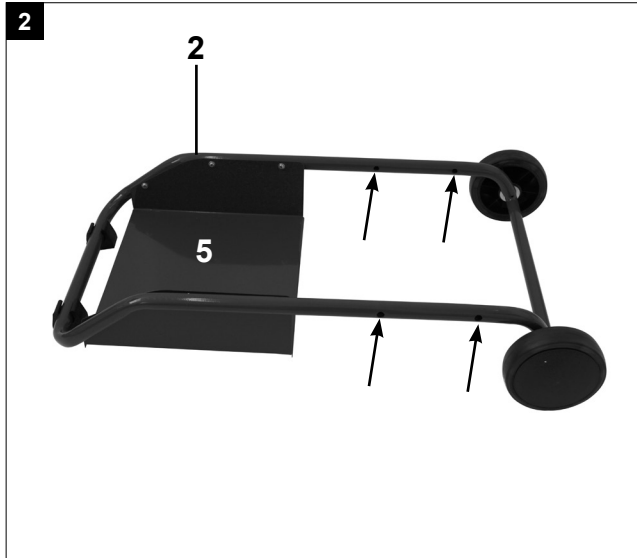
Suction system

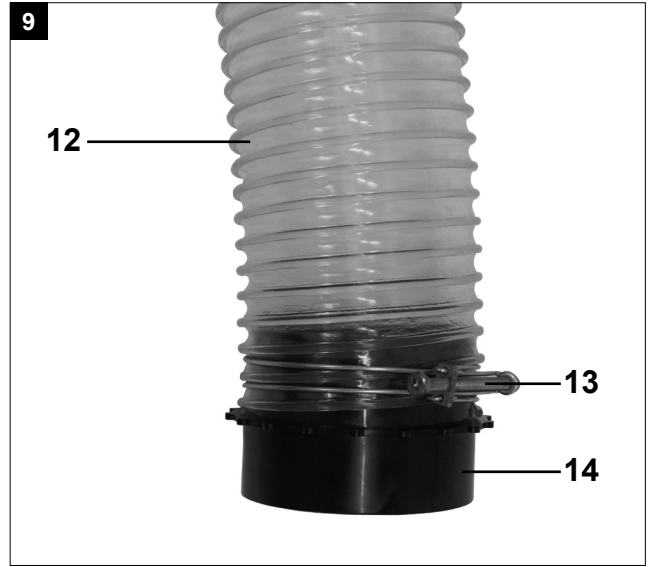
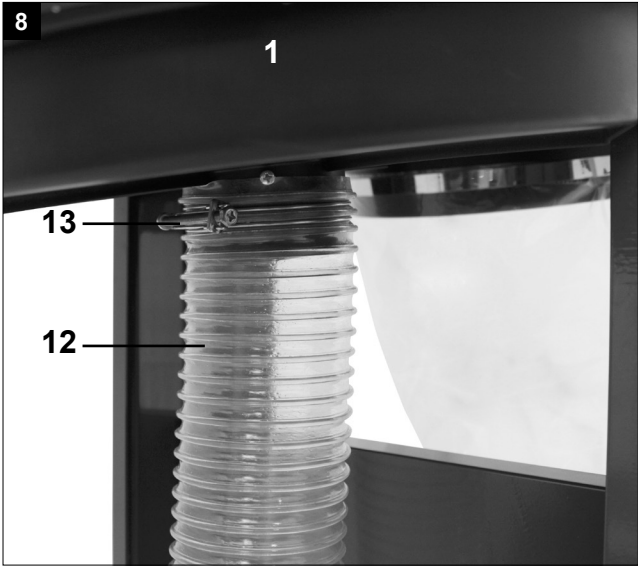
Translation of original instruction manual

5

1










MACHINERYHOUSE

Explanation of the symbols on the equipment

	<p>Warning - Read the operating manual to reduce the risk of injury</p>
	<p>Wear a dust protection mask. Dust which is injurious to health can be generated when working on wood and other materials. Never use the device to work on any materials containing asbestos!</p>
	<p>Wear safety goggles. Sparks generated during working or splinters, chips and dust emitted by the device can cause loss of sight.</p>

MACHINERYHOUSE

Table of contents:

Page:

1.	Introduction.....	15
2.	Device description.....	15
3.	Proper use.....	15
4.	Safety instructions.....	16
5.	Technical data	17
6.	Before commissioning.....	17
7.	Assembly.....	18
8.	Commissioning.....	18
9.	Maintenance	18
10.	Storage.....	18
11.	Electrical connection	18
12.	Disposal and recycling	19



1. Introduction

Manufacturer:

Scheppach GmbH
Günzburger Straße 69
D-89335 Ichenhausen

Dear Customer,

We hope your new machine brings you much enjoyment and success.

Note:

In accordance with the applicable product liability laws, the manufacturer of this device assumes no liability for damage to the device or caused by the device arising from:

- Improper handling
- Failure to comply with the operating manual,
- Repairs carried out by third parties, unauthorised specialists.
- Installing and replacing non-original spare parts,
- Improper use
- Failure of the electrical system in the event of the electrical regulations and VDE provisions 0100, DIN 13/VDE0113 not being observed.

Please consider:

Read the whole text of the operating manual before assembly and commissioning.

This operating manual should help you to familiarise yourself with your device and to use it for its intended purpose.

The operating manual includes important instructions for safe, proper and economic operation of the device, for avoiding danger, for minimising repair costs and downtimes, and for increasing the reliability and extending the service life of the device.

In addition to the safety instructions in this operating manual, you must also observe the regulations applicable to the operation of the device in your country. Keep the operating manual at the device, in a plastic sleeve, protected from dirt and moisture. They must be read and carefully observed by all operating personnel before starting the work.

The device may only be used by personnel who have been trained to use it and who have been instructed with respect to the associated hazards. The required minimum age must be observed.

In addition to the safety instructions in this operating manual and the separate regulations of your country, the generally recognised technical rules relating to the operation of such machines must also be observed.

We accept no liability for accidents or damage that occur due to a failure to observe this manual and the safety instructions.

2. Device description (fig. 1)

1. Housing complete with motor
2. Undercarriage with wheels
3. Side covering, left
4. Side covering, right
5. Floor plate
6. Cross member
7. Filter bag
8. Upper clamping strip
9. Support bar
10. Sawdust bag
11. Lower clamping strip
12. Extraction hose
13. Clamping strip 2x
14. Hose coupling
15. Enclosed accessories bag
16. Operating manual

3. Proper use

The machine complies with the applicable EC machinery directive.

- The machine has been built according to the state-of-the-art and the technical safety requirements. Nevertheless, its use may cause danger to the life and limb of the user or third parties, or damage to the machine and other material assets.
- Only use the machine when in a technically faultless condition, appropriately and in compliance with the operating manual and with full knowledge of safety and hazards! In particular, rectify malfunctions that could impair safety immediately (or commission rectification works accordingly)!
- The extraction system is designed only for removing wood chippings (not for normal dust).
- The extraction of wood dust and wood chippings in commercial areas is not permitted.
- Check the filter regularly for damage. Replace damaged filters! Regularly check the housing seal and the seals for the filter and dust bag.
- When using the cleaning nozzles, do not suck up any foreign bodies such as screws, nails, pieces of plastic or wood.
- The machine may only be operated with original parts and original accessories from the manufacturer.
- Any use beyond this is improper use. The manufacturer is not responsible for the resulting damages; the user solely bears the risk.
- The safety, operating and maintenance specifications of the manufacturer, as well as the dimensions specified in the technical data, must be observed.
- The applicable accident prevention regulations and the other generally accepted safety rules must be observed.

- The machine may only be used, maintained or repaired by persons who are familiar with it and have been informed of the dangers. Any liability of the manufacturer for damages resulting from arbitrary changes to the machine is excluded.

Please observe that our equipment was not designed with the intention of use for commercial or industrial purposes. We assume no guarantee if the equipment is used in commercial or industrial applications, or for equivalent work.

4. Safety instructions

Attention! The following basic safety measures must be observed when using electric tools for protection against electric shock, and the risk of injury and fire. Read all these notices before using the electric tool and store the safety instructions well for later reference.

Safe work

- Warning: When using power tools, the following basic safety measures must be observed for protection against fire, electric shock, and personal injury.
- Follow all these instructions before and while working with the machine.
- Store these safety instructions safely.
- Protect yourself from electric shock! Avoid physical contact with earthed parts.
- Unused devices should be stored in a dry, locked place and out of reach of children.
- Keep tools sharp and clean in order to be able to work better and more safely.
- Check the cable of the tool regularly and have it replaced by a recognised specialist when damaged.
- Check extension cables regularly and replace them when damaged.
- Only use extension cables that have been approved and appropriately labelled for use outdoors.
- Pay attention to what you are doing. Remain sensible when working. Do not use the tool when you are fatigued.
- Do not use any tools on which the switch cannot be switched on and off.
- Warning! The use of other insertion tools and other accessories can entail a danger of injury.
- Pull out the mains plug for any adjustment or repair tasks.
- Pass the safety instructions on to all persons who work on the machine.
- Before commissioning, check that the voltage on the device type plate corresponds to the mains voltage.
- If an extension cable is required, make sure that its cross-section is sufficient for the current consumption of the device. Minimum cross section 1.5 mm².
- Only use the cable drum when unrolled.

- Check the mains connection cable. Never use any faulty or damaged connection cables.
- Do not use the cable to pull the plug out of the outlet. Protect the cable from heat, oil and sharp edges.
- Do not expose the machine to rain and do not use the machine in a damp or wet environment.
- Ensure good lighting.
- Do not use in the vicinity of combustible fluids or gases.
- When working outdoors, anti-slip footwear is recommended. Tie long hair back in a hair net. Avoid abnormal posture
- The operating person must be at least 18 years of age; trainees must be at least 16 years, however only under supervision.
- Keep children away from the device when connected to the mains.
- Keep the workplace free of wood debris and parts lying around.
- Disorder in the work area can lead to accidents.
- Do not allow other persons, especially children, to touch the tool or the mains cable. Keep such persons away from the workplace.
- Personnel working on the machine must not be distracted.
- Only carry out modifications, adjustment, measuring and cleaning work when the engine is switched off. - Pull the mains plug -
- Before switching on, make sure that keys and adjusting tools are removed.
- Switch off the engine and pull out the mains plug when leaving the workplace.
- All protection and safety equipment must be reassembled immediately after repair or maintenance work is completed.
- The safety, operating and maintenance information of the manufacturer, as well as the dimensions specified in the technical data, must be observed.
- The applicable accident prevention regulations and the other generally accepted safety rules must be observed.
- Do not use low-output machines for heavy work.
- Do not use the cable for purposes for which it is not intended!
- Make sure that you have secure footing and always maintain your balance.
- Check whether the moving parts function faultlessly and do not jam or whether parts are damaged. All parts must be correctly mounted and all conditions must be fulfilled to ensure fault-free operation of the tool.
- Damaged protective devices and parts must be repaired properly or replaced by a recognised specialist workshop unless otherwise specified in the usage instructions.
- Have damaged switches replaced by a customer service workshop.

- This tool conforms to the applicable safety regulations. Repairs may only be performed by an electrician using original spare parts. Otherwise, accidents can occur.
- If necessary, wear suitable personal protective equipment. This could include:
 - Hearing protection to avoid the risk of becoming hearing impaired;
 - Respiratory protection to avoid the risk of inhaling harmful dust.
- The operator must be informed about the conditions that influence the noise generation.
- Errors in the machine must be reported to the person responsible for safety as soon as they are discovered.
- This device is not designed to collect dangerous dust.
- This device is not designed to be operated by persons (including children) with impaired physical, sensory or mental capabilities, or who have insufficient experience and/or insufficient knowledge unless they are being supervised by a person who is responsible for their safety or they are receiving instruction about how this device is to be used. Children should not be left unattended, to ensure they do not play with the device.

Residual risks

The machine has been built according to the state-of-the-art and the recognised technical safety requirements. However, individual residual risks can arise during operation.

- Risk to health from wood dust or wood chippings. Wearing personal protective equipment such as protective goggles and dust masks is mandatory.
- Dust inhalation may occur when closing and changing the dust collection bag. Please note the instructions concerning proper disposal in the operating manual (e.g. the use of P2 dust masks) to prevent dust inhalation.
- Risk to health due to noise. The permissible noise level is exceeded during operations. It is essential that personal protective equipment, such as hearing protection, is worn.
- Hazard due to electrical power, with the use of improper electrical connection cables.
- Furthermore, despite all precautions having been met, some non-obvious residual risks may still remain.
- Residual risks can be minimised if the “Safety Instructions” and the “Intended Use” together with the operating manual as a whole are observed.

Warning! This power tool generates an electromagnetic field during operation. This field can impair active or passive medical implants under certain conditions. In order to prevent the risk of serious or deadly injuries, we recommend that persons with medical implants consult with their physician and the manufacturer of the medical implant prior to operating the power tool.

Ensure careful storage of the safety instructions.

5. Technical data

Technical data	
Dimensions L x W x H	830 x 520 x 1600 mm
Overall height with filter bag	1600 mm
Extraction port diameter	100 mm
Hose length	2300 mm
Wheel diameter	150 mm
Weight	approx. 19,7 kg
Air power	1150 m ³ /h
Pressure difference	1600 Pa
Filter area of filter bag	approx. 1 m ²
Sawdust bag volume	75 l
Engine output	
Electric motor	220 - 240 V~ / 50 Hz
Rated input P1	0.55 kW
Power output P2	0.34 kW
Motor speed	2850 1/min
Workplace emission values	
No-load noise	75.5 dB (A)
Operating noise	75.5 dB (A)

6. Before commissioning

- After unpacking check all parts for transport damage. In the event of complaints the carrier must be informed immediately. Later claims will not be recognised.
- Check whether the shipment is complete.
- Familiarise yourself with the product by means of the operating instructions before using for the first time.
- With accessories as well as wearing parts and replacement parts use only original parts. Replacement parts can be obtained from your **scheppach** dealer.
- When ordering please provide our article number as well as type and year of manufacture for your equipment.

⚠ Attention!

The device and the packaging material are not children's toys! Do not let children play with plastic bags, films or small parts! There is a danger of choking or suffocating!

7. Assembly

For packaging reasons, your machine is not completely assembled.

- Attach the side coverings (3 + 4) loosely to the floor plate (5) using flat-head screws M8 x 40 mm and screw nuts. Do not tighten completely. Fig. 2, 3
- Attach the cross member (6) to the side covering left (3) and right (4) with flat-head screws M8 x 12 mm and screw nuts. Fig. 4, 5
- Remove 4 of the 6 screws (motor end of the housing) on the blue metal plates bolted to each side of the housing, as shown by the arrows in fig. 6.
- Attach the housing (1) to the side coverings (3 + 4) using the 4 screws, washers and nuts previously removed.
- Securely tighten all base nuts and bolts now.
- Position the upper bag support bar (9) into the housing (1) and hang the cloth filter bag (7) from it. Fig. 7
- Slide the shortest clamping bag (8) clamp through the sleeve on the bottom of cloth filter bag (7).
- Fix the top cloth filter bag (7) on the housing (1). Fig. 7
- Attach the sawdust bag (10) to the lower air ventilator using the longest clamping bag clamp (11). Fig 7
- Attach the extraction hose (12) to the nozzle on the housing (1) and affix it with a hose clamping strip (13). Fig. 8
- Attach the hose coupling (14) to the other end of the hose (12) using a clamping strip (13). Fig. 9

The extraction system should be cleaned every time the sawdust bag is changed.

Damaged filters and bags must be immediately changed in order to keep the amount of dust that escapes into the work environment as low as possible.

8. Commissioning

Observe the safety instructions before the commissioning. The data on the motor type plate (voltage and frequency) must match the mains voltage and frequency.

After connecting to the mains, the extraction system is ready for operation.

9. Maintenance

For all maintenance and cleaning work, turn off the motor and pull out the mains plug.

- Installation, repairs and maintenance work on the electrical equipment may only be carried out by electricians.

- For constant performance, periodically shake out filter bag vigorously. Between cleanings, beating the bag with the hand several times is sufficient.
- The sawdust bag must be replaced at the latest when the sawdust is within 10 cm of the housing collar.

Service information

With this product, it is necessary to note that the following parts are subject to natural or usage-related wear, or that the following parts are required as consumables.

Wearing parts*: carbon brushes, filter bag, sawdust bag, extraction hose, nozzle attachments; V-belt

* may not be included in the scope of supply!

Special accessories

Filter bag art. no. 3906301013
Returnable sawdust bag 20 pcs..... art. no. 75001500

10. Storage

Store the device and its accessories in a dark, dry and frost-free place that is inaccessible to children. The optimum storage temperature lies between 5 and 30 °C. Store the electric tool in its original packaging.

11. Electrical connection

Connections and repair work on the electrical equipment may only be carried out by electricians.

The electrical motor installed is connected and ready for operation. The connection complies with the applicable VDE and DIN provisions.

The customer's mains connection as well as the extension cable used must also comply with these regulations.

Important information

Damaged electrical connection cables

If the power cable is damaged, it must be replaced by the manufacturer or their service department or a similar qualified person in order to avoid hazards.

The insulation on electrical connection cables is often damaged.

Causes are:

- Pressure points, where connection cables are passed through windows or doors.
- Kinks where the connection cable has been improperly fastened or routed.
- Places where the connection cables have been cut due to being driven over.
- Insulation damage due to being ripped out of the wall outlet.
- Cracks due to the insulation ageing.

Such damaged electrical connection cables must not be used and are life-threatening due to insulation damage.

Check the electrical connection cables for damage regularly. Ensure that the connection cables are disconnected from electrical power when checking for damage.

Electrical connection cables must comply with the applicable VDE and DIN provisions. Only use connection cables with designation H07-RN.

The printing of the type designation on the cable is mandatory.

AC motor

- The mains voltage must be 220 - 240 V~ / 50 Hz.
- Extension cables must have a minimum cross section of 1.0 square millimetres.
- The mains connection is protected with a 16 A slow-blow fuse.

Please provide the following information in the event of any enquiries:

- Engine manufacturer
- Type of current for the motor
- Machine data - type plate
- Data of switch type plate

When returning the motor always send in the complete drive unit with switches.

12. Disposal and recycling

Notes for packaging



The packaging materials are recyclable. Please dispose of packaging in an environmentally friendly manner.

Notes on the electrical and electronic equipment act [ElektroG]

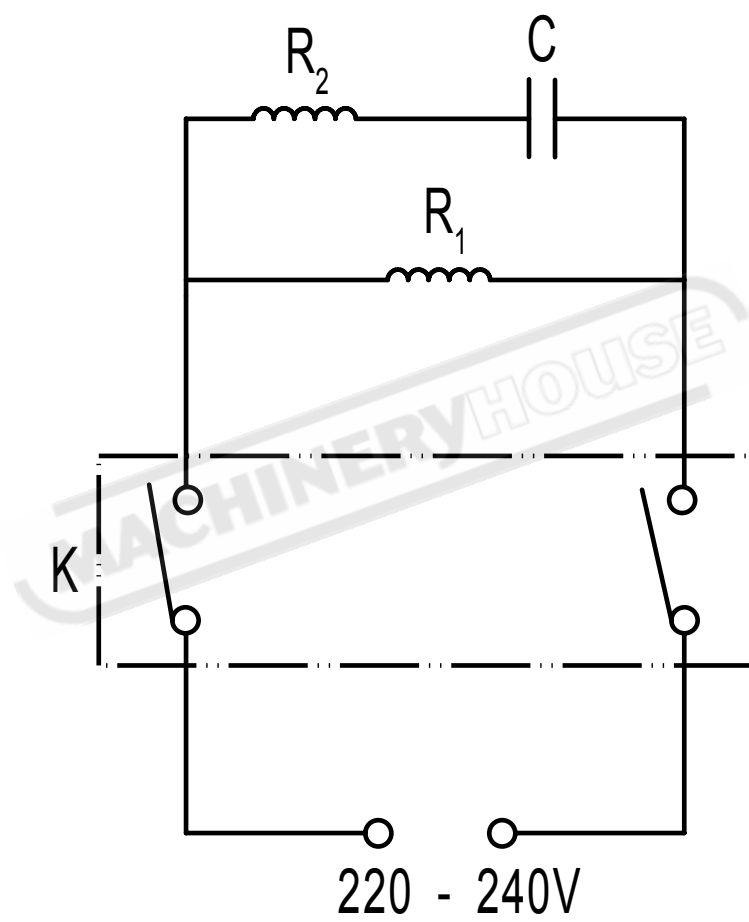


Waste electrical and electronic equipment does not belong in household waste, but must be collected and disposed of separately!

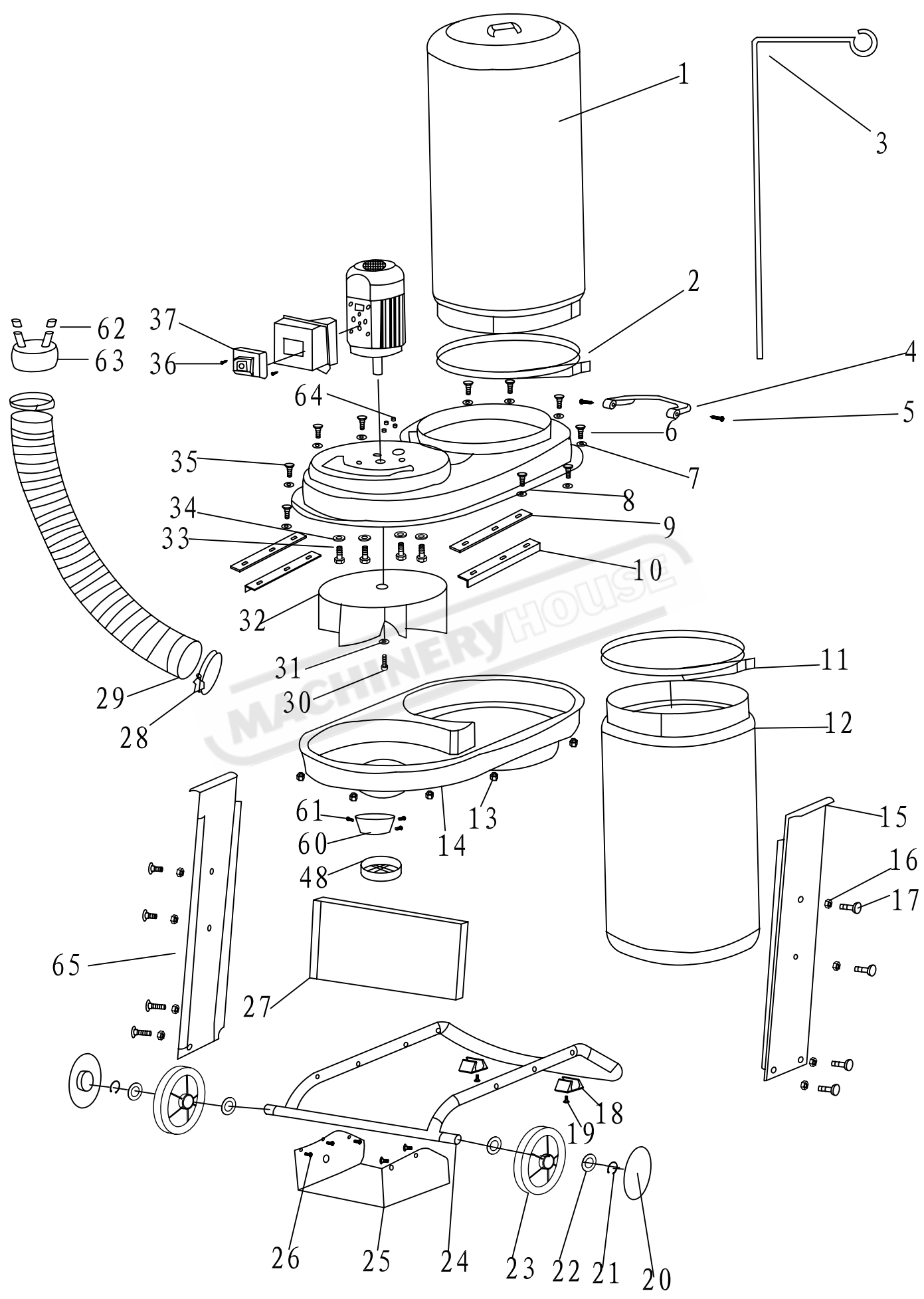
- Old batteries or rechargeable batteries that are not permanently installed in the old unit must be removed before handing them in! Their disposal is regulated by the battery act.
- Owners or users of electrical and electronic devices are legally obliged to return them after use.
- The end user is responsible for deleting their personal data from the old device being disposed of!
- The symbol of the crossed-out dustbin means that waste electrical and electronic equipment must not be disposed of with household waste.
- Waste electrical and electronic equipment can be

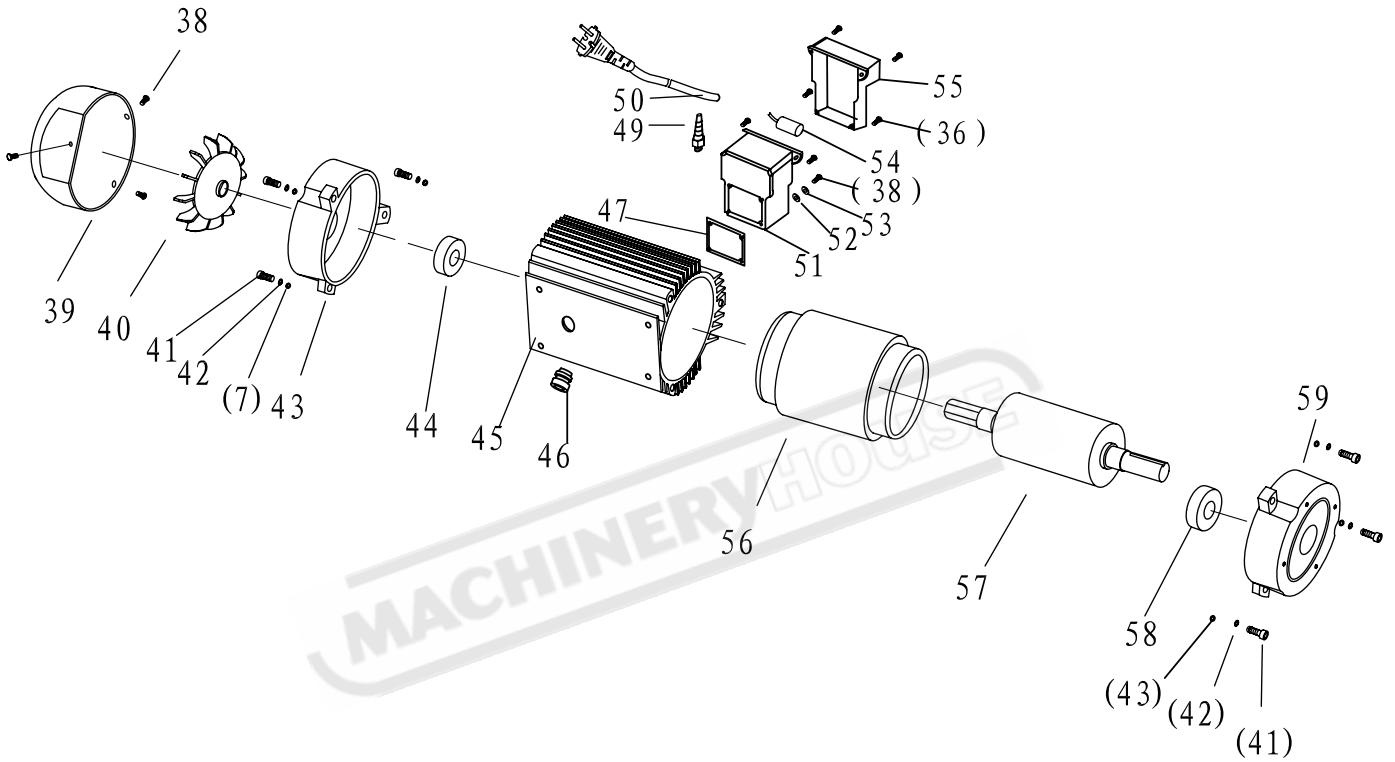
handed in free of charge at the following places:

- Public disposal or collection points (e.g. municipal works yards)
- Points of sale of electrical appliances (stationary and online), provided that dealers are obliged to take them back or offer to do so voluntarily.
- Up to three waste electrical devices per type of device, with an edge length of no more than 25 centimetres, can be returned free of charge to the manufacturer without prior purchase of a new device from the manufacturer or taken to another authorised collection point in your vicinity.
- Further supplementary take-back conditions of the manufacturers and distributors can be obtained from the respective customer service.
- If the manufacturer delivers a new electrical appliance to a private household, the manufacturer can arrange for the free collection of the old electrical appliance upon request from the end user. Please contact the manufacturer's customer service for this.
- These statements only apply to devices installed and sold in the countries of the European Union and which are subject to the European Directive 2012/19/EU. In countries outside the European Union, different regulations may apply to the disposal of waste electrical and electronic equipment.



MACHINERYHOUSE





Garantie DE

Offensichtliche Mängel sind innerhalb von 8 Tagen nach Erhalt der Ware anzuzeigen, andernfalls verliert der Käufer sämtliche Ansprüche wegen solcher Mängel. Wir leisten Garantie für unsere Maschinen bei richtiger Behandlung auf die Dauer der gesetzlichen Gewährleistungsfrist ab Übergabe in der Weise, dass wir jedes Maschinenteil, das innerhalb dieser Zeit nachweisbar in Folge Material- oder Fertigungsfehler unbrauchbar werden sollte, kostenlos ersetzen. Für Teile,

die wir nicht selbst herstellen, leisten wir nur insoweit Gewähr, als uns Gewährleistungsansprüche gegen die Vorlieferanten zustehen. Die Kosten für das Einsetzen der neuen Teile trägt der Käufer. Wandlungs- und Minderungsansprüche und sonstige Schadensersatzansprüche sind ausgeschlossen.

Warranty GB

Apparent defects must be notified within 8 days from the receipt of the goods. Otherwise, the buyer's rights of claim due to such defects are invalidated. We guarantee for our machines in case of proper treatment for the time of the statutory warranty period from delivery in such a way that we replace any machine part free of charge which provably becomes unusable due to faulty material

or defects of fabrication within such period of time. With respect to parts not manufactured by us we only warrant insofar as we are entitled to warranty claims against the upstream suppliers. The costs for the installation of the new parts shall be borne by the buyer. The cancellation of sale or the reduction of purchase price as well as any other claims for damages shall be excluded.

Garantie FR

Les défauts visibles doivent être signalés au plus tard 8 jours après la réception de la marchandise, sans quoi l'acheteur perd tout droit au dédommagement. Nous garantissons nos machines, dans la mesure où elles sont utilisées de façon conforme, pendant la durée légale de garantie à compter de la réception, sachant que nous remplaçons gratuitement toute pièce de la machine devenue inutilisable du fait d'un défaut de matière ou d'usure durant cette période. Toutes les

pièces que nous ne fabriquons pas nous-mêmes ne sont garanties que si nous avons la possibilité d'un recours en garantie auprès des fournisseurs respectifs. Les frais de main d'œuvre occasionnés par le remplacement des pièces sont à la charge de l'acquéreur. Tous droits à réhibition et toutes prétentions à une remise ainsi que tous autres droits à dommages et intérêts sont exclus

Garanzia IT

Vizi evidenti vanno segnalati entro 8 giorni dalla ricezione della merce, altrimenti decadono tutti i diritti dell'acquirente inerenti a vizi del genere. Appurato un impiego corretto da parte dell'acquirente, garantiamo per le nostre macchine per tutto il periodo legale di garanzia a decorrere dalla consegna in maniera tale che sostituiamo gratuitamente qualsiasi componente che entro tale periodo presenti dei vizi di materiale o di fabbricazione tali da renderlo inutilizzabile. Per componenti

non fabbricati da noi garantiamo solo nella misura nella quale noi stessi possiamo rivendicare i diritti a garanzia nei confronti dei nostri fornitori. Le spese per il montaggio dei componenti nuovi sono a carico dell'acquirente. Sono escluse pretese di risoluzione per vizi, di riduzione o ulteriori pretese di risarcimento danni.

Garantie NL

Zichtbare gebreken moeten binnen de 8 dagen na ontvangst van de goederen worden gemeld, zo niet verliest de verkoper elke aanspraak op grond van deze gebreken. Onze machines worden geleverd met een garantie voor de duur van de wettelijke garantietermijn. Deze termijn gaat in vanaf het moment dat de koper de machine ontvangt. De garantie houdt in dat wij elk onderdeel van de machine dat binnen de garantietermijn aantoonbaar onbruikbaar wordt als gevolg van ma-

teriaal- of productiefouten, kosteloos vervangen. De garantie vervalt echter bij verkeerd gebruik of verkeerde behandeling van de machine. Voor onderdelen die wij niet zelf produceren, geven wij enkel de garantie die wij zelf krijgen van de oorspronkelijke leverancier. De kosten voor de montage van nieuwe onderdelen vallen ten laste van de koper. Eisen tot het aanbrengen van veranderingen of het toestaan van een korting en overige schadeloosstellingsclaims zijn uitgesloten.

Garantía ES

Los defectos evidentes deberán ser notificados dentro de 8 días después de haber recibido la mercancía, de lo contrario el comprador pierde todos los derechos sobre tales defectos. Garantizamos nuestras máquinas en caso de manipulación correcta durante el plazo de garantía legal a partir de la entrega. Sustituiremos gratuitamente toda pieza de la máquina que dentro de este plazo se torne inútil a causa de fallas de material o de fabricación. Las piezas que no son fabri-

cados por nosotros mismos serán garantizadas hasta el punto que nos corresponda garantía del suministrador anterior. Los costes por la colocación de piezas nuevas recaen sobre el comprador. Están excluidos derechos por modificaciones, aminoraciones y otros derechos de indemnización por daños y perjuicios.

Garantia PT

Para este aparelho concedemos garantia de 24 meses. A garantia cobre exclusivamente defeitos de material ou de fabricação. Peças avariadas são substituídas gratuitamente. cabe ao cliente efetuar a substituição. Assumimos a garantia unicamente de peças genuínas. Não há direito à garantia no caso de: peças de desgaste, danos de transporte, danos causados pelo manuseio

indevido ou pela desatenção as instruções de serviço, falhas da instalação elétrica por inobservância das normas relativas à electricidade. Além disso, a garantia só poderá ser reinvidicada para aparelhos que não tenham sido consertados por terceiros. O cartão de garantia só vale em conexão com a fatura.

Garanti NO

Åpenbare mangler skal meldes innen 8 dager etter at varen er mottatt, ellers taper kunden samtlige krav pga slik mangel. Vi gir garanti for at våre maskiner ved riktig behandling under den rettslige garantiens varighet, fra overlevering, på den måten at vi erstatter kostnadsfritt hver maskindel, som innen denne tiden påviselig er ubrukelig som følge av material- eller produksjons-

feil. For deler som vi ikke produserer selv, yter vi garanti kun i den utstrekning som garantikrav mot underleverandør tilkommer oss. Kjøperen bærer kostnadene ved montering av nye deler. Endrings- og verditapskrav og øvrige skadeerstatningskrav er utelukkede.

Takuu FI

Ilmeisistä puutteista tulee ilmoittaa kahdeksan päivän kuluessa tavarannastamisesta. Muutoin ostaja ei voi vaatia korvausta ko. puutteista. Annamme takuun oikein käsitellyille koneillemme lakisääteiseksi takuujaksi tavarannastamisesta alkaen siten, että vaihdamme korvauksetta minkä tahansa koneosan, joka osoittautuu tämän ajan kuluessa käyttökelvottomaksi

raaka-aine- tai valmistusvirheestä johtuen. Osille, joita emme valmistaisimme itse, annamme takuun vain mikäli osien toimittaja on antanut niistä takuun meille. Uusien osien asennuskustannukset maksaa ostaja. Purku- ja vähennysvaatimukset ja muut vahingonkorvausvaatimukset eivät tule kysymykseen.

Garanti SE

Med denna maskin följer en 24 månaders garanti. Garantin täcker endast material- och konstruktionsfel. Defekta delar ersätts utan omkostningar, men kunden står för installationen. Vår garanti täcker endast original-delar. Anspråk på garanti öreligger inte för: garantin täcker ej, transportska-

dor, skador orsakade av felaktig behandling och då skötsel föreskrifter inte beaktats. Vidare kan garantikrav endast ställas för maskiner som inte har reparerats av tredje part.

Záruka SK

Zrejme vady musia byť predstavené v priebehu 8 dní po obdržaní tovaru, ináč zákazník stráti všetky nároky týkajúce sa takejto vady. Ponúkame záruku na naše aparaty, ktoré sú správne používané počas zákonného termínu záruky tak, že bezplatne vymeníme každú časť aparátu, ktorá sa v priebehu tohto času môže stať dokázateľne nefunkčnou dôsledkom materiálnej či výrobnéj

vady. Na časti ktoré sami nevyrobíme, poskytujeme záruku iba v rozsahu, v ktorom nám prísluší nárok na záručné plnenie k subdodávateľovi. Za trovy týkajúce sa inštalácie novej súčiastky je zodpovedný zákazník. Nárok na výmenu tovaru, na zľavu a iné nároky na nahradenie škody sú vylúčené.

Garancija SI

Očitne pomanjkljivosti je potrebno naznaniti 8 dni po prejemu blaga, v nasprotnem primeru izgubi kupec vse pravice do garancije zaradi takšnih pomanjkljivosti. Za naše naprave dajemo garancijo ob pravilni uporabi za čas zakonsko določenega roka garancije od predaje in sicer na takšen način, da vsak del naprave brezplačno nadomestimo, za katerega bi se v tem roku izkazalo, da

je zaradi slabega materiala ali slabe izdelave neuporaben. Za dele, ki jih sami ne izdelujemo, jamčimo samo toliko, kolikor zahteva garancija drugih podjetij. Stroški za vstavljanje novih delov nosi kupec. Zahteve za spreminjanje in zmanjšanje ter ostale zahteve za nadomestilo škode so izključene.

Szavatosság HU

A nyilvánvaló hibákat ki kell jelenteni számított 8 napon belül az áruk, különben a vevő elveszti minden igényt az ilyen hibák. Kínálunk garanciát a gépeinket a megfelelő kezelés időtartamának hallgatólagos garancia a szállítási időpontját oly módon, hogy cserélje ki minden egyes része ezen idő alatt észlelhető a sorban anyag-vagy gyártási legyen hiábavaló, ingeny. Az alkatrészeket,

hogy nem termel magunkat, hogy csak olyan garanciát, hiszen jogosultak jótállási igények beszállítókkal szemben. A költségek beillesztése az új részek a vevőnek. Átalakítása és csökkentése követelések és egyéb kártérítési igények ki vannak zárva.